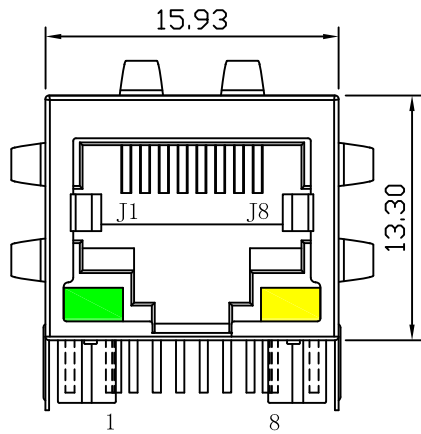
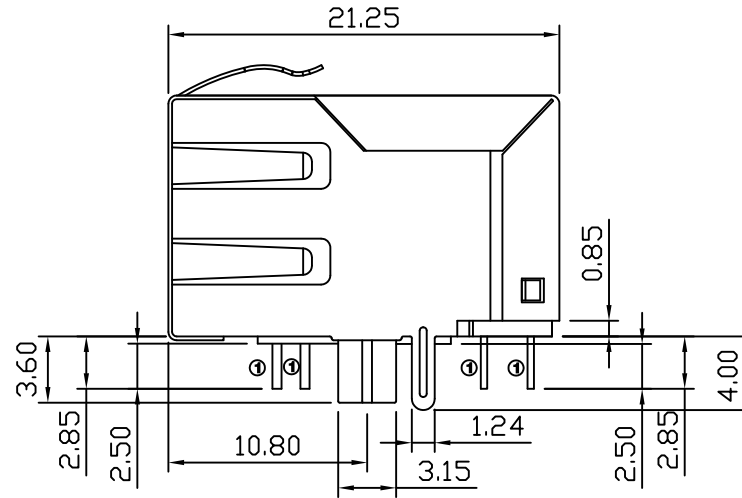


Mechanical:

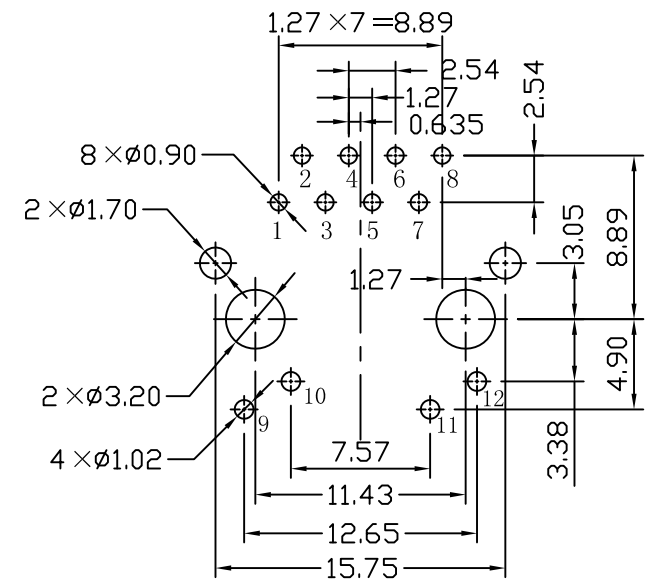
REV.	ECN NO.	DESCRIPTION	DATE	APPD
A	REL	① = 4.00mm	2007/12/25	
B	REL	① = 2.85mm	2022/02/17	



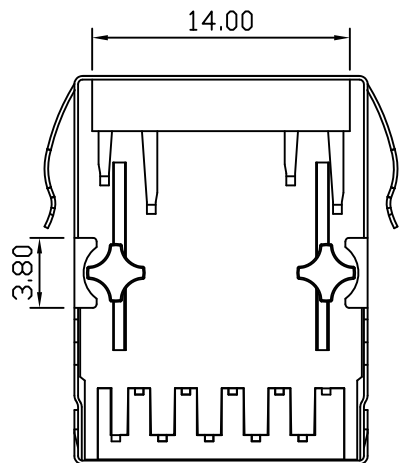
Front Side View



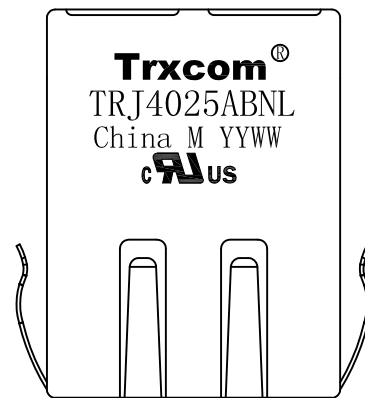
Left Side View



Suggested PCB Layout (Top View)



Bottom Side View



Top Side View

NOTES:

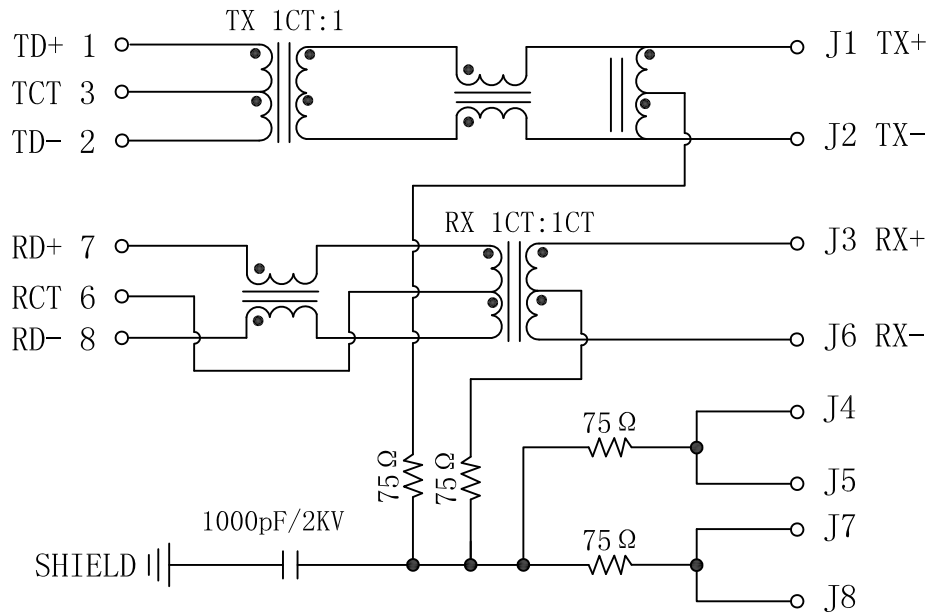
1. Designed to support application, such as SOHO (ADSL modems), LAN-on-Motherboard (LOM), hub and Switches.
2. Meets IEEE 802.3 specification
3. Connector Materials:
 Housing: Thermoplastic PBT+30%G.F UL94V-0
 Contact: Phosphor Bronze C5210R-EH Thickness=0.35mm
 Pins: Brass C2680R-H Thickness=0.35mm
 Shield: SUS 201-1/2H Thickness=0.2mm
 Contact plating: Gold 6 micro-inches min. In contact area.
4. Wave solder tip temperature: 265°C Max, 5 Sec.
5. UL Certification: File Number E321120.

X:X ±0.25	APPD:	Trxcom Huizhou Trxcom Electronics Co., ltd
X:XX ±0.20	CHKD:	
X:XXX ±0.05	DR: SEA	TITLE: RJ45 Connector with 10/100 Base-T Integrated Magnetics
ANGLES ±1°	UNIT: mm	PART NO.: TRJ4025ABNL
	SCALE: 2/1	SHEET: 1/4
	REV: B	DWG NO.: TRC22021702

Schematic:

REV.	ECN NO.	DESCRIPTION	DATE	APPD
A	REL	① = 4.00mm	2007/12/25	
B	REL	① = 2.85mm	2022/02/17	

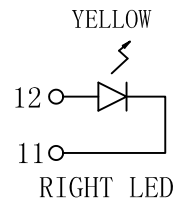
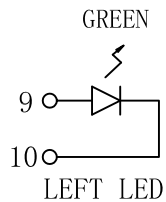
PC BOARD CONNECTIONS



RJ45 CONNECTOR

ELECTRICAL SPECIFICATIONS @25°C

- Turn Ratio ($\pm 2\%$):
TX=1CT:1 RX=1CT:1CT
- Inductance OCL: 350uH MIN
@100KHz/0.1V, 8mA DC Bias
- Insertion Loss:
-1.0dB MAX @1.0-100MHz
- Return Loss:
-18dB MIN @1-30MHz
-16dB MIN @30-60MHz
-12dB MIN @60-80MHz
- Cross talk:
-35dB MIN @1-100MHz
- Common Mode Rejection:
-30dB MIN @1-100MHz
- Hipot Test: 1500Vrms MIN
- Operating Temperature Range: $-40^{\circ}\text{C} \sim +85^{\circ}\text{C}$.



Emitting Color	$\lambda_p(\text{nm})$	$V_F@I_F=20\text{mA}$	$I_R @V_R=5V$
GREEN	565	1.8~2.6V	10 μA max
YELLOW	585	1.8~2.6V	10 μA max

X:X	± 0.25	APPD:	Trxcom Huizhou Trxcom Electronics Co., ltd
X:XX	± 0.20	CHKD:	
X:XXX	± 0.05	DR: SEA	TITLE: RJ45 Connector with 10/100 Base-T Integrated Magnetics
ANGLES	$\pm 1^{\circ}$	UNIT: mm	PART NO.: TRJ4025ABNL
	SCALE: 2/1	SHEET: 2/4	REV: B DWG NO.: TRC22021702

Profile of wave solder:

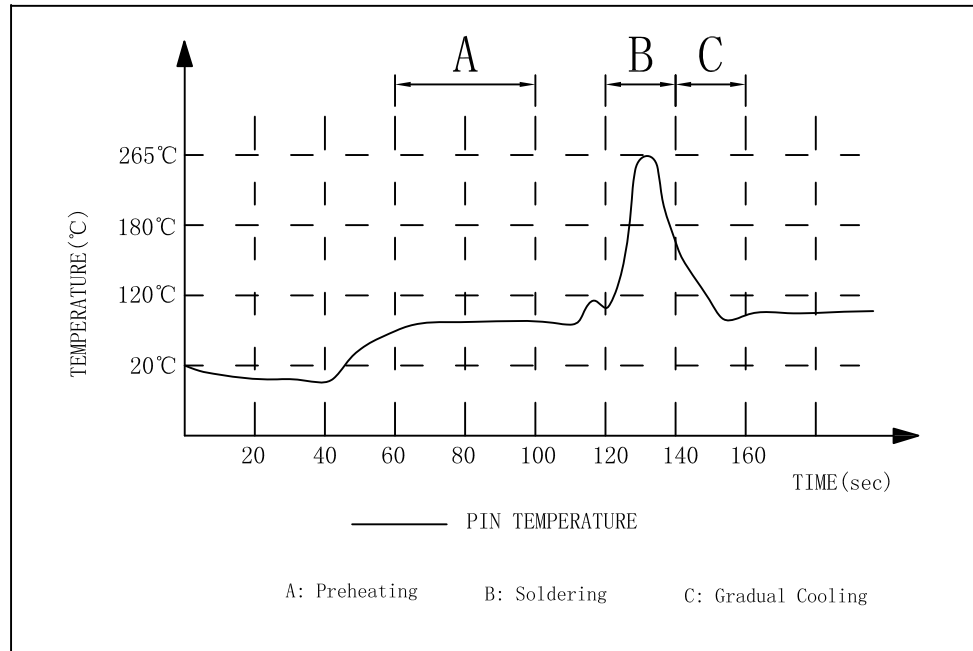
REV.	ECN NO.	DESCRIPTION	DATE	APPD
A	REL	① = 4.00mm	2007/12/25	
B	REL	① = 2.85mm	2022/02/17	

SUGGESTED PROFILE OF WAVE SOLDER FOR ROHS PRODUCT

REV: A

TEMP(°C): 25

HUM(%): 65 RH

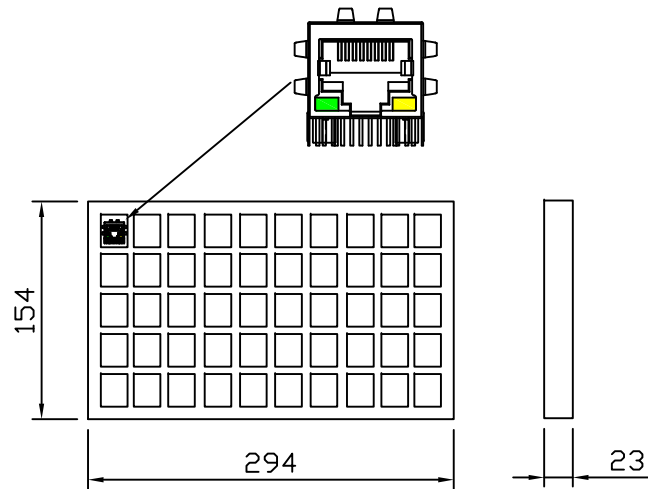


- (1) Tip Temperature: 265°C max
 - (2) Tip Temperature time: 5sec max
- Note: The melting point of Tin: 219°C

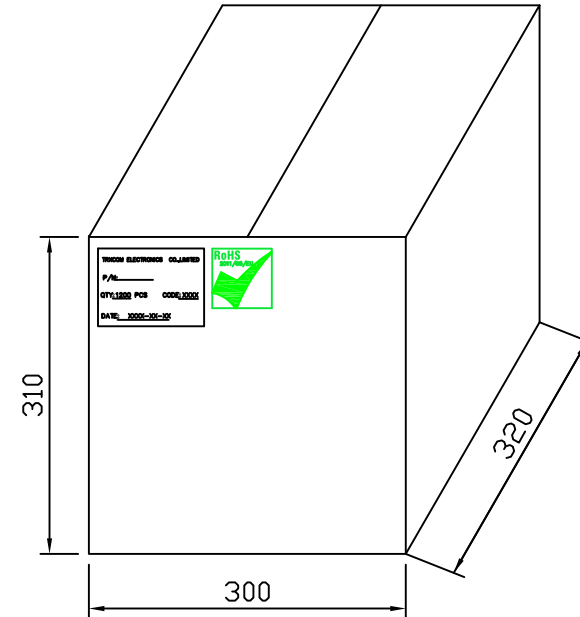
X:X ±0.25	APPD:	Trxcom Huizhou Trxcom Electronics Co.,ltd
X:XX ±0.20	CHKD:	
X:XXX ±0.05	DR: SEA	
ANGLES ±1°	UNIT: mm	TITLE: RJ45 Connector with 10/100 Base-T Integrated Magnetics
		PART NO.: TRJ4025ABNL
	SCALE: 2/1	SHEET: 3/4
	REV: B	DWG NO.: TRC22021702

Packaging:

REV.	ECN NO.	DESCRIPTION	DATE	APPD
A	REL	① = 4.00mm	2007/12/25	
B	REL	① = 2.85mm	2022/02/17	



24Tray →



- ◆ Packaging unit: 50pcs/tray
- ◆ Packaging material: PVC
- ◆ Outer carton unit: 1200pcs/24tray/box
- ◆ Net Weight: 8kg
- ◆ Gross Weight: 10kg

X:X ±0.25	APPD:	Trxcom Huizhou Trxcom Electronics Co.,ltd
X:XX ±0.20	CHKD:	
X:XXX ±0.05	DR: SEA	
ANGLES ±1°	UNIT: mm	TITLE: 1*1 21.25mm RJ45 Packing
		PART NO.: TRJ4025ABNL
	SCALE: 2/1	SHEET: 4/4
	REV: B	DWG NO.: TRC22021702