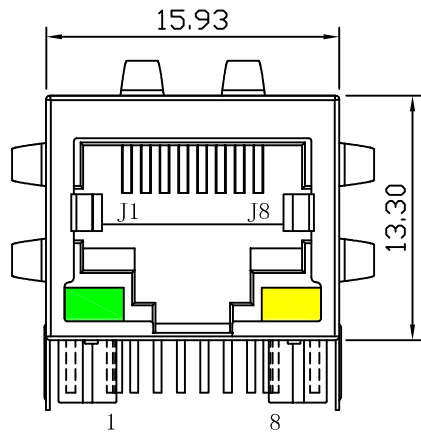
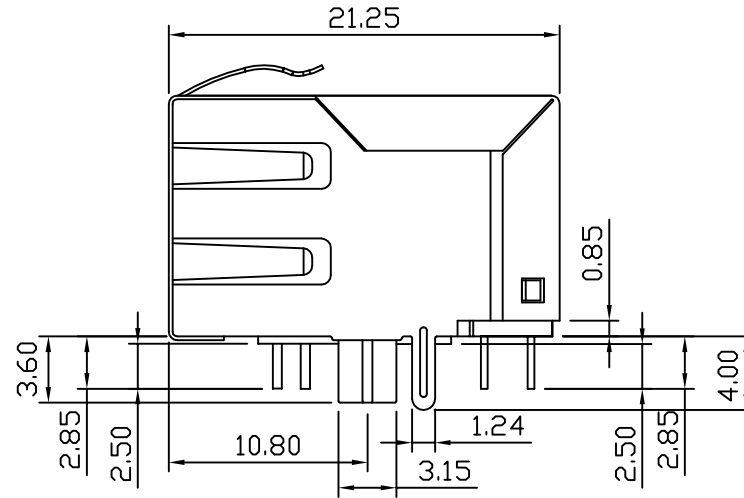


# Mechanical:

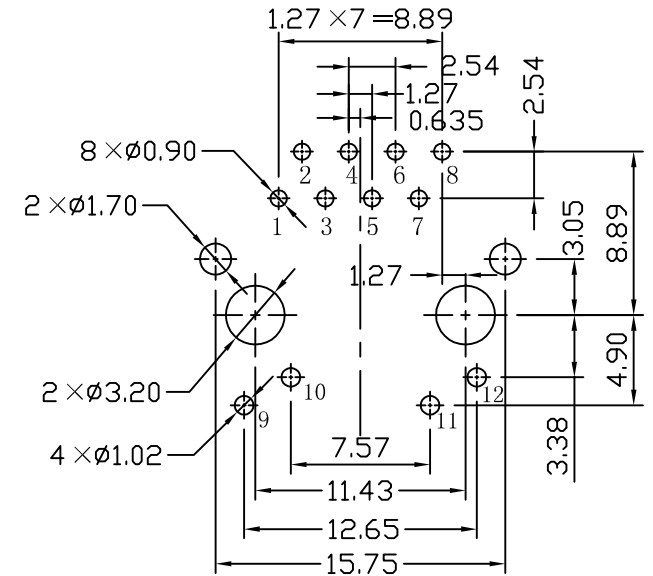
REV.	ECN NO.	DESCRIPTION	DATE	APPD
A	REL		2010-07-09	



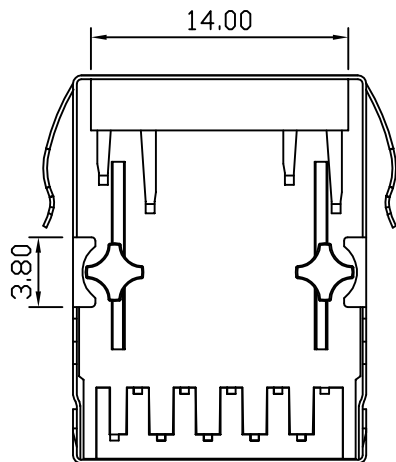
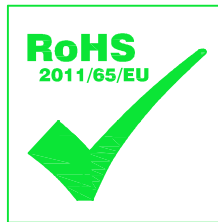
Front Side View



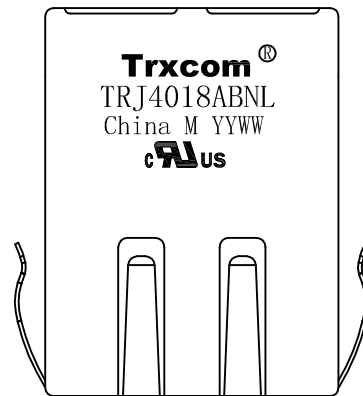
Left Side View



Suggested PCB Layout (Top View)



Bottom Side View



Top Side View

## NOTES:

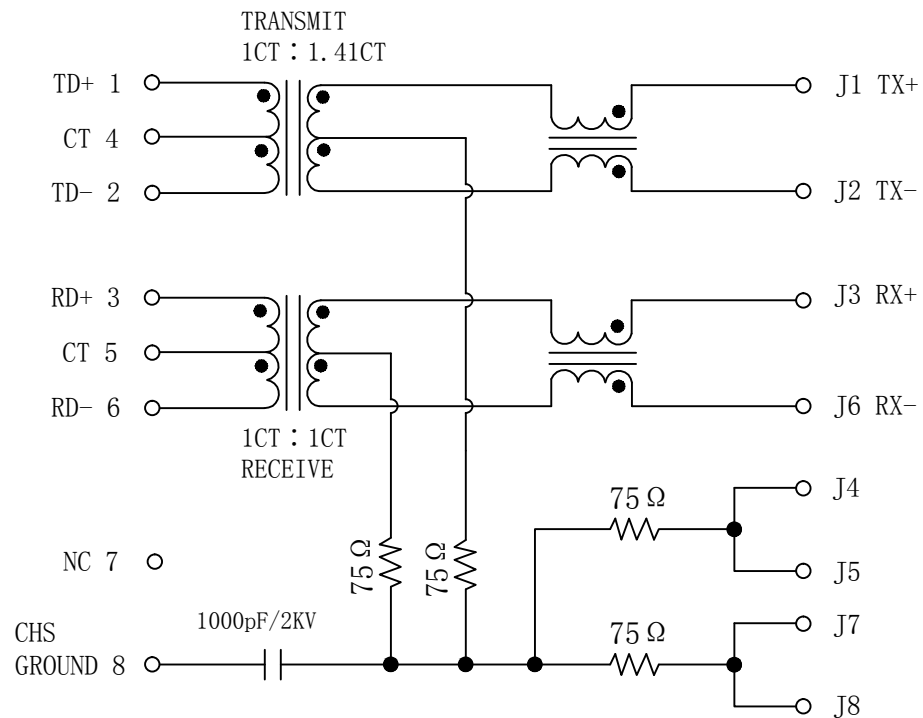
1. Designed to support application, such as SOHO (ADSL modems), LAN-on-Motherboard (LOM), hub and Switches.
2. Meets IEEE 802.3 specification
3. Connector Materials:  
 Housing: Thermoplastic PBT+30%G. F UL94V-0  
 Contact: Phosphor Bronze C5210R-EH Thickness=0.35mm  
 Pins: Brass C2680R-H Thickness=0.35mm  
 Shield: SUS 201-1/2H Thickness=0.2mm  
 Contact plating: Gold 6 micro-inches min. In contact area.
4. Wave solder tip temperature: 265°C Max, 5 Sec.
5. UL Certification: File Number E321120.

X:X ±0.25	APPD:	TRXCOM INT'L TECHNOLOGY CO. LTD		
X:XX ±0.20	CHKD:	TITLE: RJ45 Connector with 10/100 Base-T Integrated Magnetics		
X:XXX ±0.05	DR: SEA	PART NO.: TRJ4018ABNL		
ANGLES ±1°	UNIT: mm			
	SCALE: 2/1	SHEET: 1/4	REV: A	DWG NO.: TRC10070918

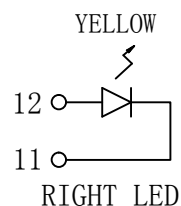
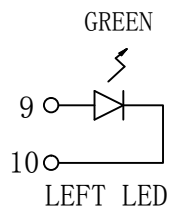
# Schematic:

PC BOARD CONNECTIONS

RJ45 CONNECTOR



NOTE: Connect CHS GND to PCB ground.



Emitting Color	$\lambda$ p(nm)	V <sub>F</sub> @I <sub>F</sub> =20mA	I <sub>R</sub> @V <sub>R</sub> =5V
GREEN	565	1.8~2.6V	10 $\mu$ A max
YELLOW	585	1.8~2.6V	10 $\mu$ A max

## ELECTRICAL SPECIFICATIONS @25°C

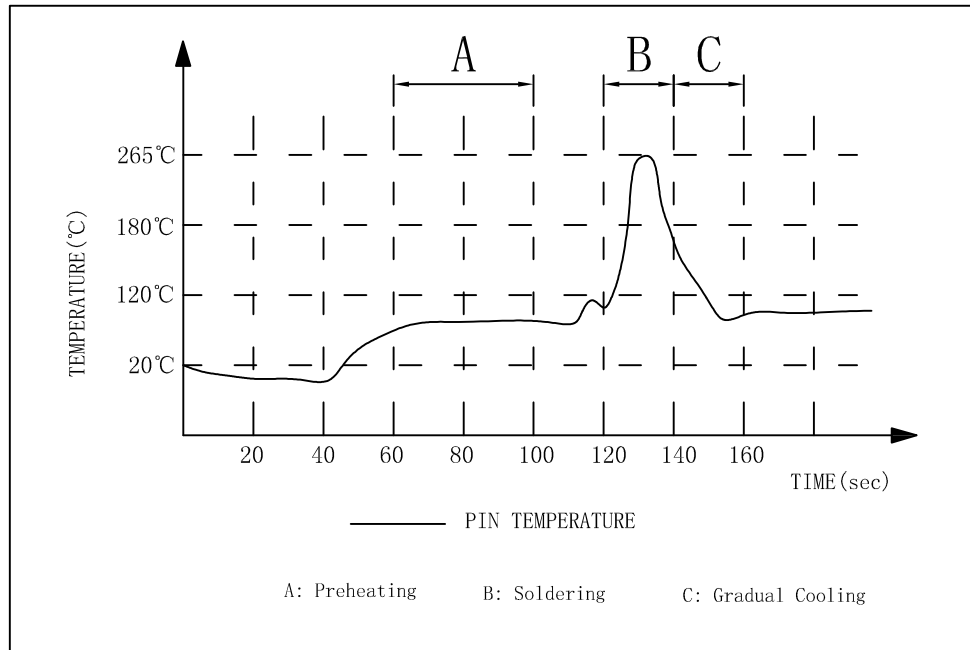
- Turn Ratio( $\pm 2\%$ ):  
TX=1CT:1.41CT      RX=1CT:1CT
- Inductance OCL:  
350 $\mu$ H MIN @100KHz/0.1V,8mA DC Bias
- Insertion Loss:  
-1.0dB MAX @1-65MHz
- Return Loss:  
-20dB MIN @1-10MHz  
-16dB MIN @10-30MHz  
-12dB MIN @30-60MHz  
-10dB MIN @60-100MHz
- Cross talk:  
-40dB MIN @1-30MHz  
-35dB MIN @30-60MHz  
-30dB MIN @60-100MHz
- Common Mode Rejection:  
-30dB MIN @1-50MHz  
-20dB MIN @50-150MHz
- Operating voltage: 3.3-5V.  
Current: 350mA.
- Hipot test: 1500Vrms MIN
- Operating temperature range: -40°C~+85°C.



X:X	$\pm 0.25$	APPD:	TRXCOM INT'L TECHNOLOGY CO. LTD		
X:XX	$\pm 0.20$	CHKD:	TITLE: RJ45 Connector with 10/100 Base-T Integrated Magnetics		
X:XXX	$\pm 0.05$	DR: SEA	PART NO.: TRJ4018ABNL		
ANGLES	$\pm 1^\circ$	UNIT: mm	DWG NO.: TRC10070918		
	SCALE: 2/1	SHEET: 2/4	REV: A		

SUGGESTED PROFILE OF WAVE SOLDER FOR ROHS PRODUCT

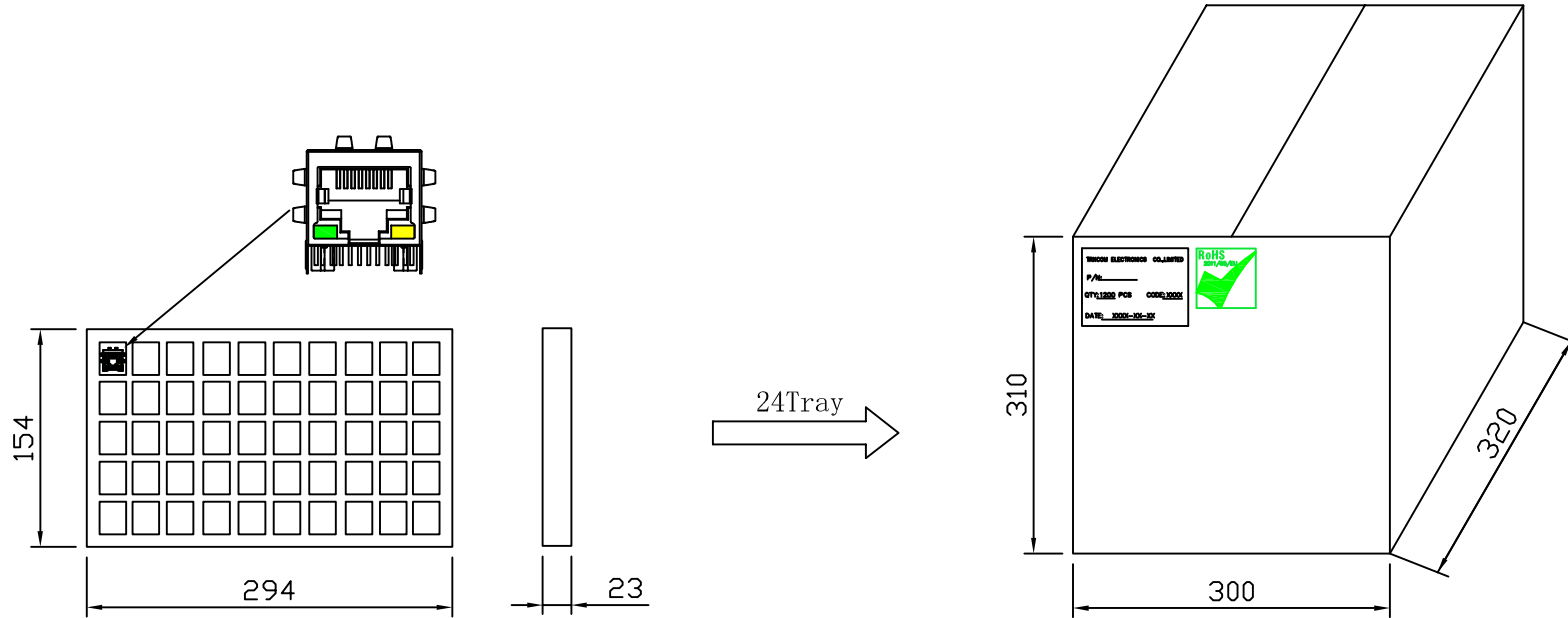
REV: A  
 TEMP(°C): 25  
 HUM(%): 65 RH



- (1) Tip Temperature: 265°C max
  - (2) Tip Temperature time: 5sec max
- Note: The melting point of Tin: 219°C

X:X ±0.25	APPD:	TRXCOM INT'L TECHNOLOGY CO. LTD	
X:XX ±0.20	CHKD:		
X:XXX ±0.05	DR: SEA	TITLE: RJ45 Connector with 10/100 Base-T Integrated Magnetics	
ANGLES ±1°	UNIT: mm	PART NO.: TRJ4018ABNL	
	SCALE: 2/1	SHEET: 3/4	REV: A      DWG NO.: TRC10070918

Packaging:



- ◆ Packaging unit: 50pcs/tray
- ◆ Packaging material: PVC
- ◆ Outer carton unit: 1200pcs/24tray/box
- ◆ Net Weight: 8kg
- ◆ Gross Weight: 10kg

X: X	±0.25	APPD:	TRXCOM INT'L TECHNOLOGY CO. LTD		
X: XX	±0.20	CHKD:			
X: XXX	±0.05	DR: SEA	PART NO.: TRJ4018ABNL		
ANGLES	±1°	UNIT: mm	DWG NO.: TRC10070918		
		SCALE: 2/1	SHEET: 4/4	REV: A	