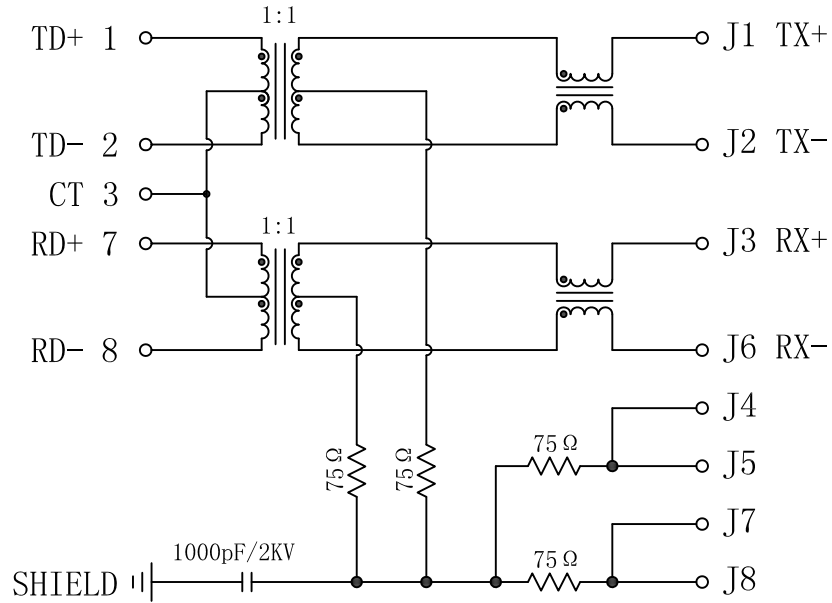


Schematic:

REV.	ECN NO.	DESCRIPTION	DATE	APPD
A	REL		2010/06/21	

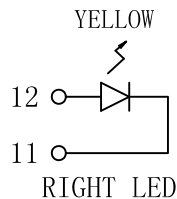
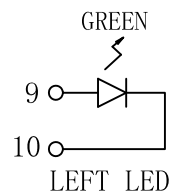
PCB SIDE TO PHY



CABLE SIDE

ELECTRICAL SPECIFICATIONS @25°C

- Turn Ratio ($\pm 2\%$):
TX=1CT:1CT RX=1CT:1CT
- Inductance OCL: 350uH Min
@100KHz/0.1V, 8mA DC Bias
- Insertion Loss:
-1.0dB Max @1-100MHz
- Return Loss:
-18dB Min @1-30MHz
-16dB Min @30-60MHz
-12dB Min @60-80MHz
- Cross talk:
-30dB Min @1-100MHz
- Common Mode Rejection:
-30dB Min @1-100MHz
- Operating Voltage: 3.3-5V Max
Current: 350mA.
- Hipot Test: 1500Vrms Min
- Operating Temperature Range: -40°C to +85°C.



Emitting Color	λ_p (nm)	V _F @I _F =20mA	I _R @V _R =5V
GREEN	565	1.8~2.6V	10 μ A max
YELLOW	585	1.8~2.6V	10 μ A max

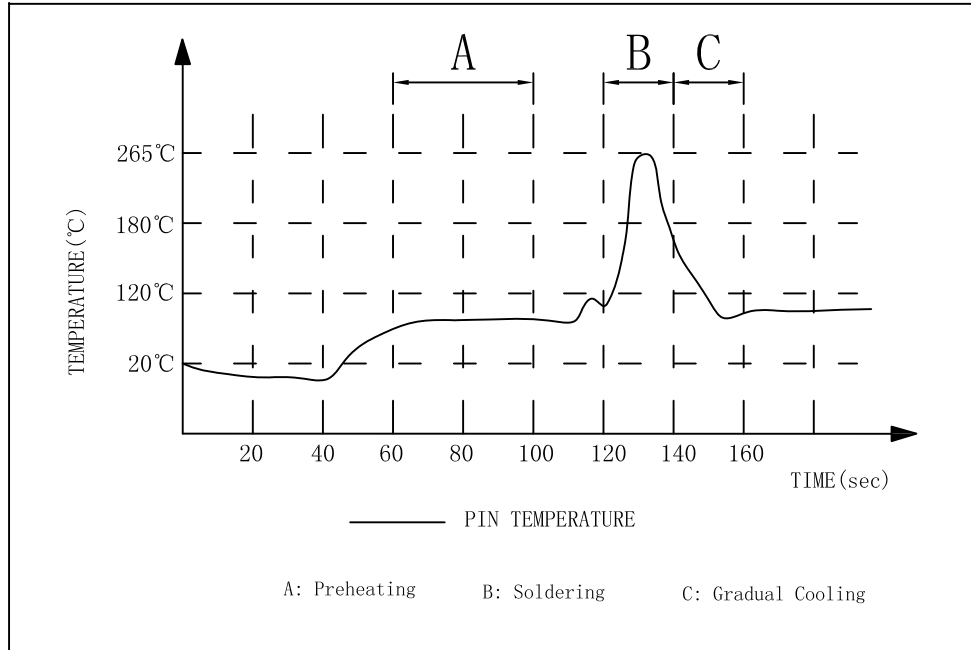
X:X	± 0.25	APPD:	Trxcom Huizhou Trxcom Electronics Co., ltd	
X:XX	± 0.20	CHKD:		
X:XXX	± 0.05	DR: SEA	TITLE: RJ45 Connector with 10/100 Base-T Integrated Magnetics	
ANGLES	$\pm 1^\circ$	UNIT: mm	PART NO.: TRJ4013ABNL	
	SCALE: 2/1	SHEET: 2/4	REV: A	DWG NO.: TRC10062101

Profile of wave solder:

REV.	ECN NO.	DESCRIPTION	DATE	APPD
A	REL		2010/06/21	

SUGGESTED PROFILE OF WAVE SOLDER FOR ROHS PRODUCT

REV: A
 TEMP(°C): 25
 HUM(%): 65 RH

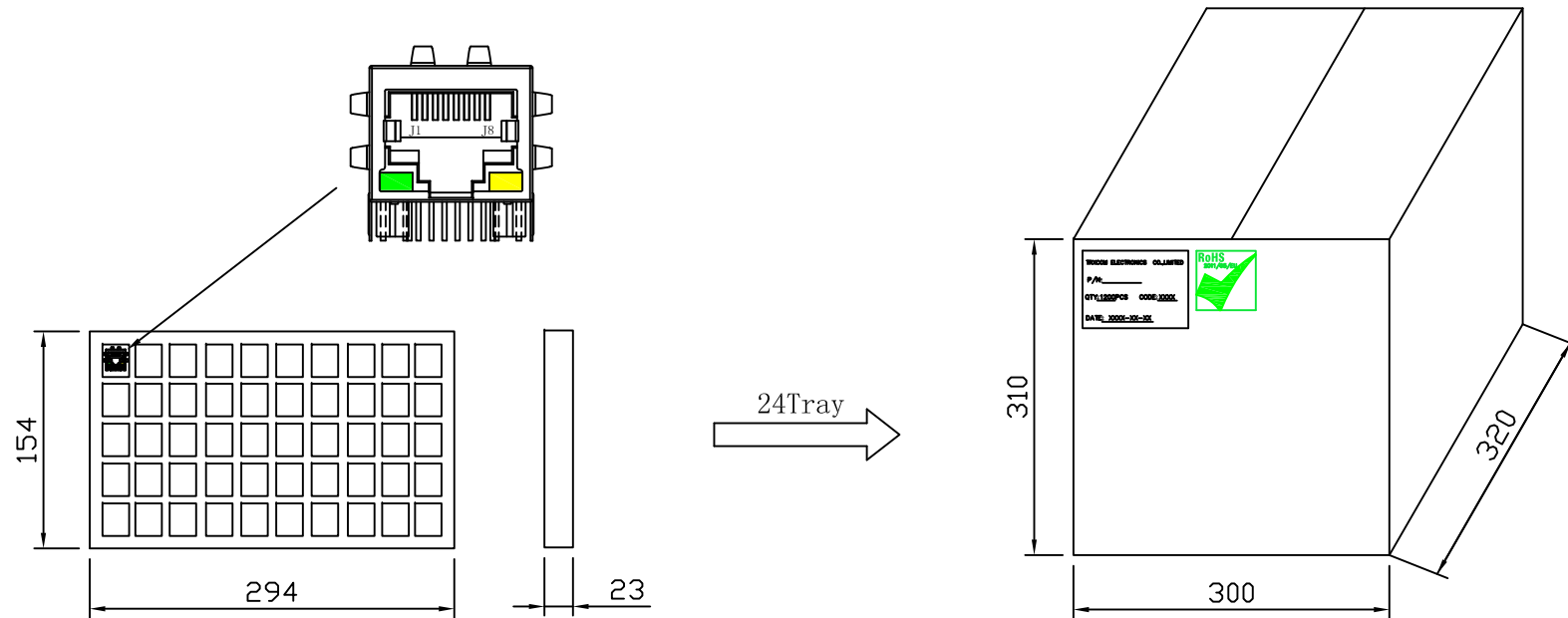


- (1) Tip Temperature: 265°C max
 - (2) Tip Temperature time: 5sec max
- Note: The melting point of Tin: 219°C

X:X ±0.25	APPD:	Trxcom Huizhou Trxcom Electronics Co., ltd
X:XX ±0.20	CHKD:	
X:XXX ±0.05	DR: SEA	
ANGLES ±1°	UNIT: mm	TITLE: RJ45 Connector with 10/100 Base-T Integrated Magnetics
		PART NO.: TRJ4013ABNL
	SCALE: 2/1	SHEET: 3/4
	REV: A	DWG NO.: TRC10062101

Packaging:

REV.	ECN NO.	DESCRIPTION	DATE	APPD
A	REL		2010/06/21	



- ◆ Packaging unit: 50pcs/tray
- ◆ Packaging material: PVC
- ◆ Outer carton unit: 1200pcs/24tray/box
- ◆ Net Weight: 8kg
- ◆ Gross Weight: 10kg

X:X	±0.25	APPD:	Trxcom Huizhou Trxcom Electronics Co.,ltd	
X:XX	±0.20	CHKD:		
X:XXX	±0.05	DR: SEA	TITLE: 1*1 21.3 RJ45 PACKING	
ANGLES	±1°	UNIT: mm	PART NO.: TRJ4013ABNL	
	SCALE: 2/1	SHEET: 4/4	REV: A	DWG NO.: TRC10062101