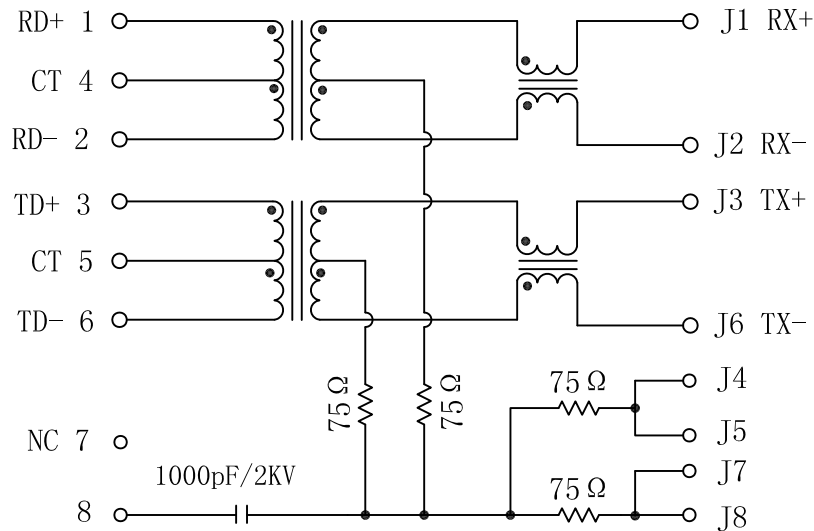


Schematic:

REV.	ECN NO.	DESCRIPTION	DATE	APPD
A	REL		2013/04/18	

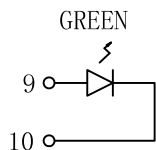
PCB CONNECTIONS



RJ45 CONNECTOR

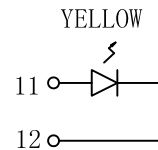
Electrical Specification @25°C

- Turns Ratio ($\pm 2\%$) :
TX=1CT : 1CT RX=1CT : 1CT
- OCL: 350uH Min
@100KHz, 0.1V, 8mA DC Bias
- Insertion Loss:
1~100MHz:-1.0dB Max
- Return Loss(dB Min):
1~30MHz:-16 30~60MHz:-12
60~80MHz:-10
- Crosstalk(dB Min):
1~30MHz:-40 30~60MHz:-35
60~100MHz:-30
- Common Mode Rejection(dB Min):
1~50MHz:-40 50~150MHz:-30
- Hipot: 1500VAC 6S 1mA
- Operating voltage: 3.3-5V Max
Current: 350mA.
- Operating Temperature: -40°C ~ +85°C.



LEFT LED

LED POLARITY		COLOR
PIN 9	PIN 10	
+	-	GREEN



RIGHT LED

LED POLARITY		COLOR
PIN 11	PIN 12	
+	-	YELLOW



Emitting Color	λ p(nm)	VF@IF=20mA	IR @VR=5V
Green	565	1.8~2.6V	10 μ A max
Yellow	585	1.8~2.6V	10 μ A max

X:X	± 0.30	APPD:	Trxcom	
X:XX	± 0.25	CHKD:	ShenZhen Trxcom Electronics Co., ltd	
X:XXX	± 0.05	DR: C.H.Y	TITLE: RJ45 Connector with 10/100 Base-T Integrated Magnetics	
ANGLES	$\pm 1^\circ$	UNIT: mm	PART NO.: TRJ26404AENL	
	SCALE: 2/1	SHEET: 2/2	REV: A	DWG NO.: TRC13041832