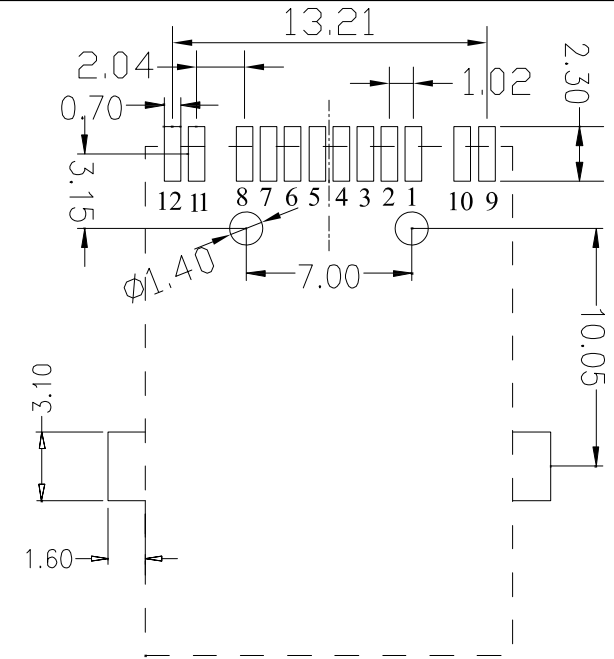
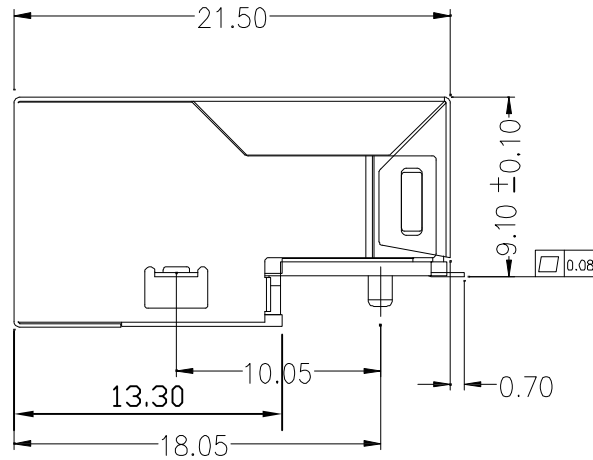
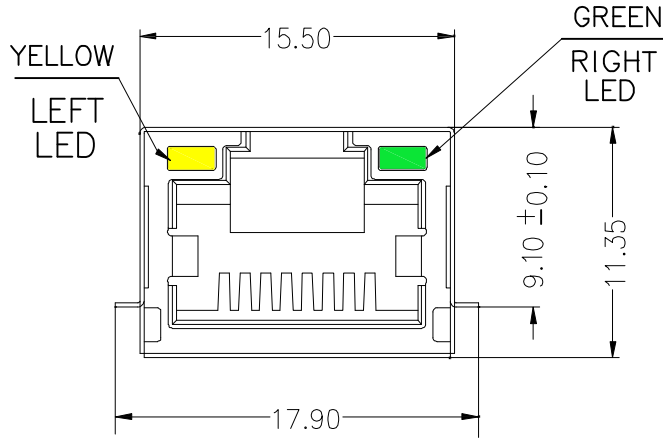
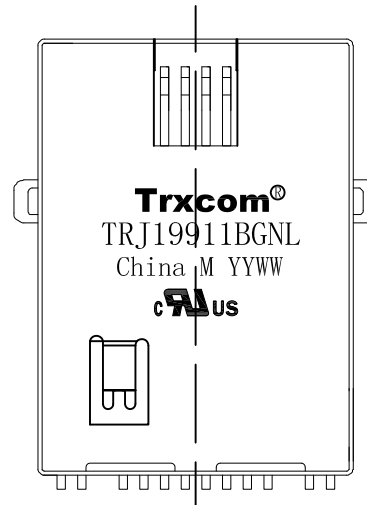
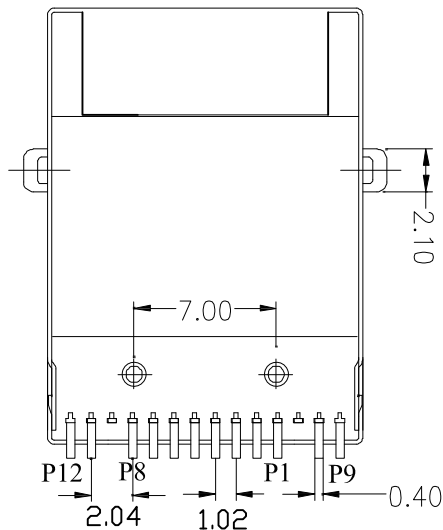


Mechanical:

REV.	ECN NO.	DESCRIPTION	DATE	APPD
A	REL		2014/07/07	



Suggested PCB Layout(Component side view)



NOTES:

1. Designed to support application, such as SOHO (ADSL modems), LAN-on-Motherboard (LOM), hub and Switches.
2. Meets IEEE 802.3 specification
3. Connector Materials:
Housing: Thermoplastic UL94V-0
Contact/Shield: Copper alloy
Shield plating: Nickel
Contact plating: Gold 6 micro-inches min. In contact area.
4. For RoHS part add suffix NL
5. Reflow soldering 250°C degC for 5~10 sec.
6. UL Certification: File Number E321120.

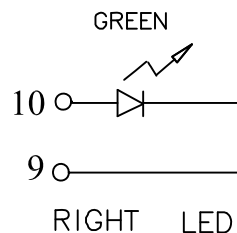
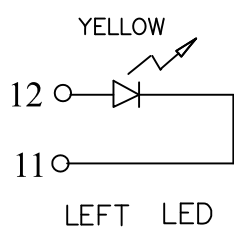
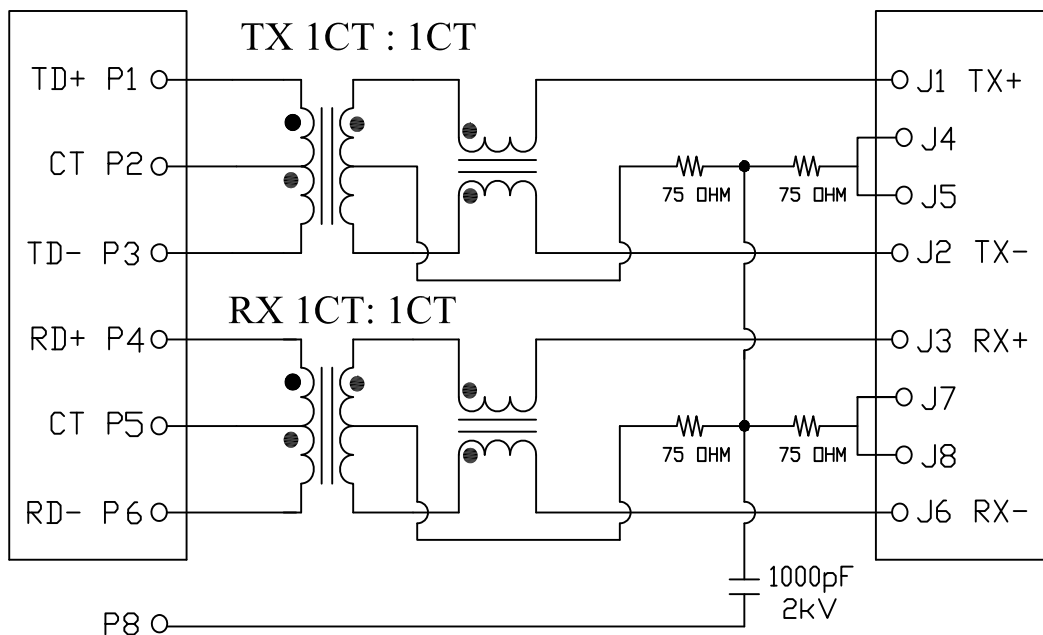
X:X	±0.38	APPD:	Trxcom
X:XX	±0.25	CHKD:	
X:XXX	±0.13	DR: SEA	TITLE: Surface Mount 1×1 Tab-Up Jack With 10/100 Magnetic
ANGLES	±1°	UNIT: mm	PART NO.: TRJ19911BGNL
	SCALE: 2/1	SHEET: 1/2	REV: A DWG NO: TRC14070728

Schematic:

REV.	ECN NO.	DESCRIPTION	DATE	APPD
A	REL		2014/07/07	

LAN CHIP SIDE

RJ CABLE SIDE



Electrical Specifications @ 25°C

- Turns Ratio (@50KHz, 0.1V):
1CT : 1CT $\pm 2\%$
- Inductance (@100KHz, 100mV, 8mA DC BIAS):
J1-J2; J3-J6; J4-J5; J7-J8: 350uH N_{in}
- Insertion Loss:
1~100MHz: -1.0dB Max
- Return Loss (dB Min.):
1~30MHz: -18 30~45MHz: -16
45~60MHz: -14 60~80MHz: -12
- Crosstalk:
1~100MHz: -35dB Min
- Common Mode Rejection:
1~100MHz: -35dB Min
- Isolation Voltage: 2250VDC, 1mA, 60Sec
- Operating Temperature Range: -40°C ~ +85°C

Emitting Color	λ_p (nm)	$V_F @ I_F = 20mA$	$I_R @ V_R = 5V$
GREEN	565	1.8~2.6V	10 μA max
YELLOW	585	1.8~2.6V	10 μA max

X:X	± 0.38	APPD:	Trxcom
X:XX	± 0.25	CHKD:	
X:XXX	± 0.13	DR: SEA	TITLE: Surface Mount 1x1 Tab-Up Jack With 10/100 Magnetic
ANGLES	$\pm 1^\circ$	UNIT: mm	PART NO.: TRJ19911BGNL
	SCALE: 2/1	SHEET: 2/2	REV: A DWG NO: TRC14070728