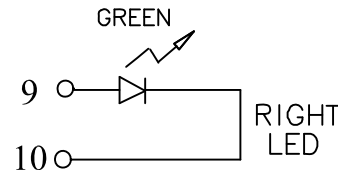
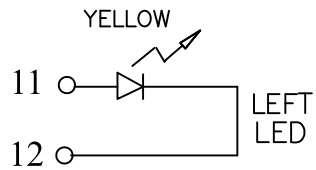
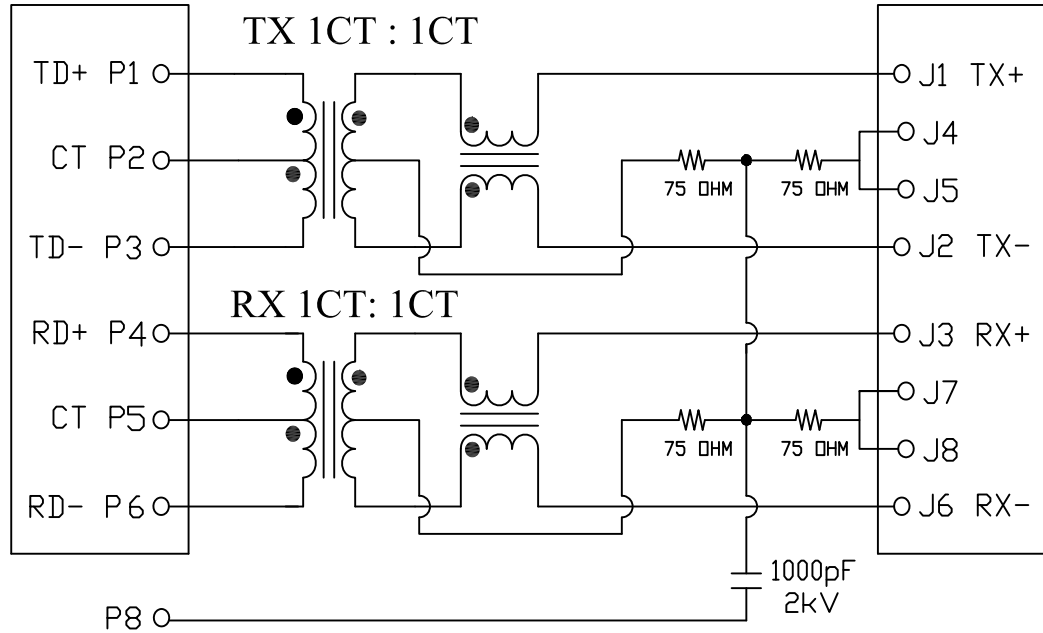


Schematic:

REV.	ECN NO.	DESCRIPTION	DATE	APPD
A	REL		2014/07/07	

LAN CHIP SIDE

RJ CABLE SIDE



Emitting Color	λ p(nm)	V _F @I _F =20mA	I _R @V _R =5V
GREEN	565	1.8~2.4V	10 μ A max
YELLOW	585	1.8~2.4V	10 μ A max



Electrical Specifications @ 25°C

- Turns Ratio (@50KHz, 0.1V):
1CT : 1CT $\pm 2\%$
- INDUCTANCE (@100KHz, 100mV, 8mA DC BIAS):
J1-J2; J3-J6; J4-J5; J7-J8: 350uH N_{in}
- Insertion Loss:
1~100MHz: -1.0dB Max
- Return Loss (dB Min.):
1~30MHz: -18 30~45MHz: -16
45~60MHz: -14 60~80MHz: -12
- Crosstalk:
1~100MHz: -35dB Min
- Common Mode Rejection:
1~100MHz: -35dB Min
- Isolation Voltage: 2250VDC, 1mA, 60Sec
- Operating Temperature Range: -40°C ~ +85°C.

X:X	± 0.38	APPD:	Trxcom
X:XX	± 0.25	CHKD:	
X:XXX	± 0.13	DR: SEA	TITLE: Surface Mount 1X1 Tab-Up Jack With 10/100 Magnetic
ANGLES	$\pm 1^\circ$	UNIT: mm	PART NO.: TRJ19911ADNL
	SCALE: 2/1	SHEET: 1/2	REV: A DWG NO: TRC14070721