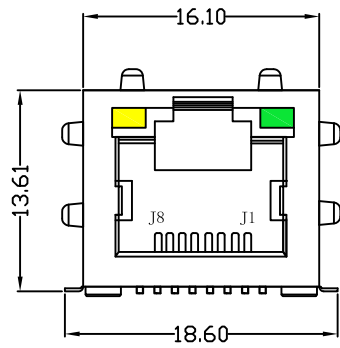
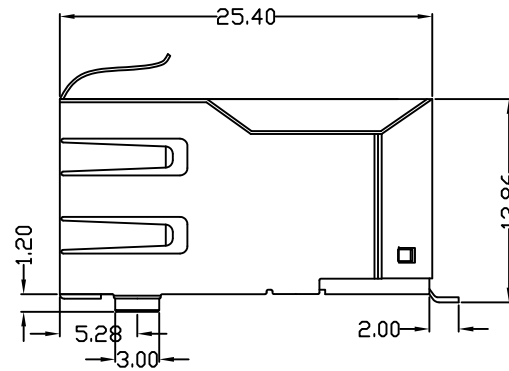


# Mechanical:

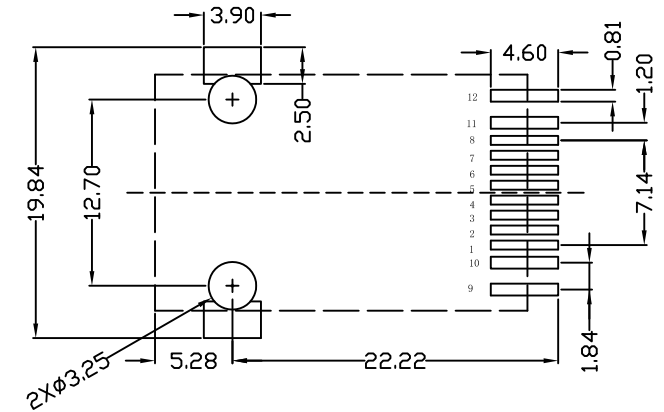
REV.	ECN NO.	DESCRIPTION	DATE	APPD
A	REL		2015-05-11	



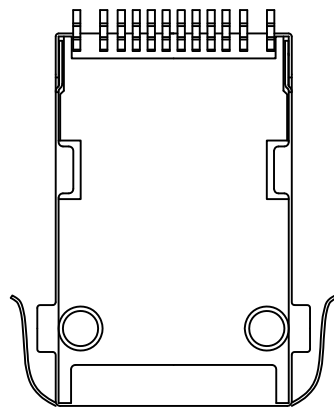
Front Side View



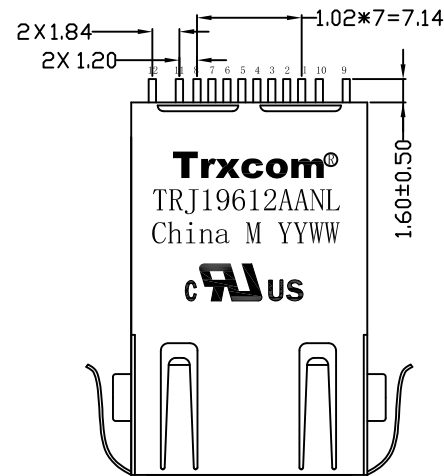
Left Side View



Suggested PCB Layout



Bottom Side View



Top Side View

## NOTES:

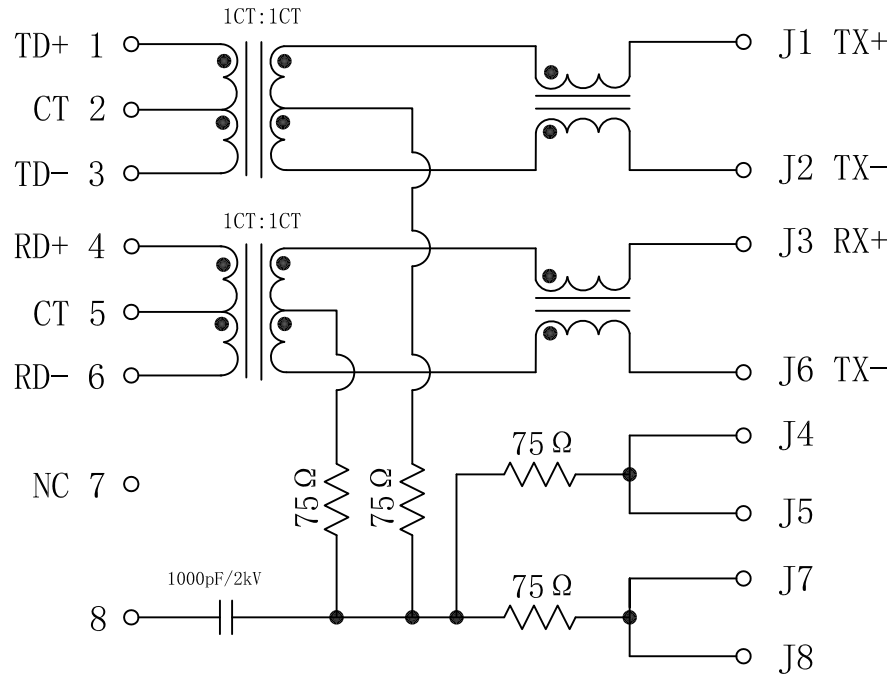
1. Meets IEEE 802.3 specification
2. Connector Materials:  
 Housing Material: Thermoplastic LCP+30%G.F UL94V-0  
 Contact Material: Phosphor Bronze C5210R-EH Thickness=0.35mm  
 Pins: Brass C2680R-H Thickness=0.35mm  
 Shield: SUS 201-1/2H Thickness=0.2mm  
 Contact plating: Gold 6 micro-inches min. In contact area.
3. Maximum reflow temperature is 245°C, 5 Sec.
4. UL Certification: File Number E321120

X:X	±0.25	APPD:	<b>Trxcom</b> Huizhou Trxcom Electronics Co., Ltd.	
X:XX	±0.20	CHKD:		
X:XXX	±0.05	DR: GRANT	TITLE: Surface Mount 1×1 Tab-Up Jack With 10/100M Magnetic	
ANGLES	±1°	UNIT: mm	PART NO.: TRJ19612AANL	
	SCALE: 2/1	SHEET: 1/2	REV: A	DWG NO.: TRC15051155

Schematic:

REV.	ECN NO.	DESCRIPTION	DATE	APPD
A	REL		2015-05-11	

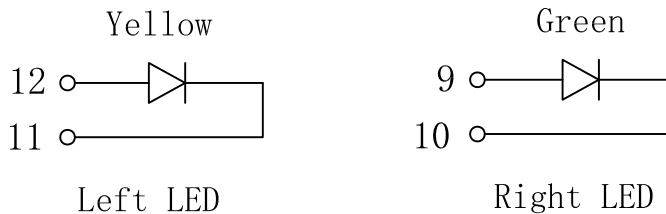
PCB SIDE TO PHY



CABLE

ELECTRICAL SPECIFICATIONS @25°C

- Turn Ratio ( $\pm 3\%$ ):  
TX=1CT:1CT      RX=1CT:1CT
- Inductance OCL:  
350uH MIN @ 100KHz 0.1V 8mA DC Bias
- Insertion Loss:  
-1.0dB MAX @ 1-100MHz
- Return Loss (@100Ω):  
-18dB MIN @ 1-30MHz  
-16dB MIN @ 30-60MHz  
-12dB MIN @ 60-80MHz
- Cross talk:  
-40dB MIN @ 1-10MHz  
-35dB MIN @ 30-60MHz  
-30dB MIN @ 60-100MHz
- Common Mode Rejection:  
-30dB MIN @ 1-50MHz  
-20dB MIN @ 50-130MHz
- Hipot Test: 1500Vrms
- Operating Temperature Range: -40°C TO +85°C



Emitting Color	$\lambda$ p(nm)	V <sub>F</sub> @I <sub>F</sub> =20mA	I <sub>R</sub> @V <sub>R</sub> =5V
Green	570	1.8~2.4V	10 $\mu$ A max
Yellow	590	1.8~2.4V	10 $\mu$ A max

X:X	$\pm 0.25$	APPD:	<b>Trxcom</b> Huizhou Trxcom Electronics Co., Ltd.	
X:XX	$\pm 0.20$	CHKD:		
X:XXX	$\pm 0.05$	DR: GRANT	TITLE: Surface Mount 1×1 Tab-Up Jack With 10/100M Magnetic	
ANGLES	$\pm 1^\circ$	UNIT: mm	PART NO.: TRJ19612AANL	
	SCALE: 2/1	SHEET: 2/2	REV: A	DWG NO.: TRC15051155