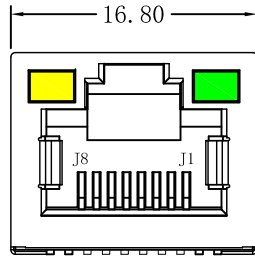
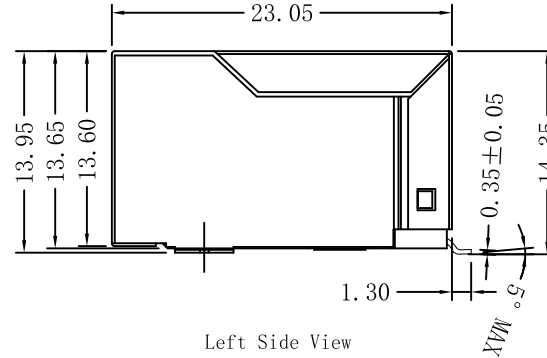


# Mechanical:

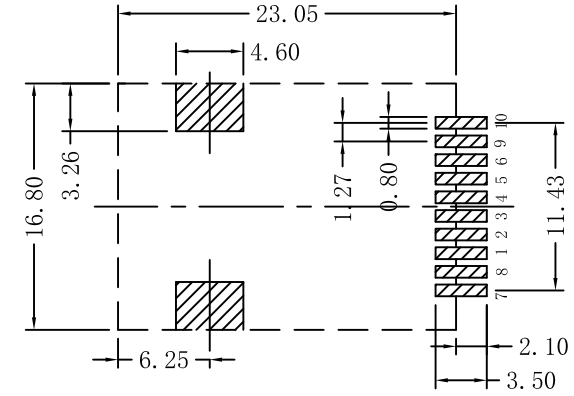
REV.	ECN NO.	DESCRIPTION	DATE	APPD
A	REL		2015-05-30	



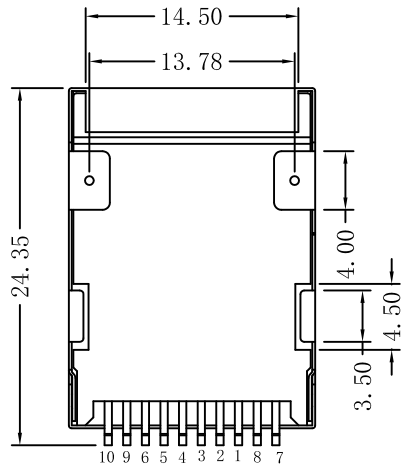
Front Side View



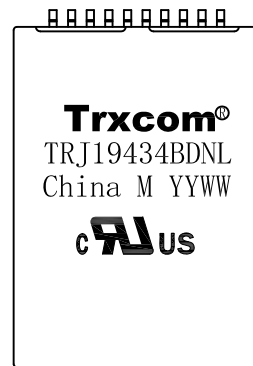
Left Side View



Suggested PCB Layout (Top View)



Bottom Side View



Top Side View

## NOTES:

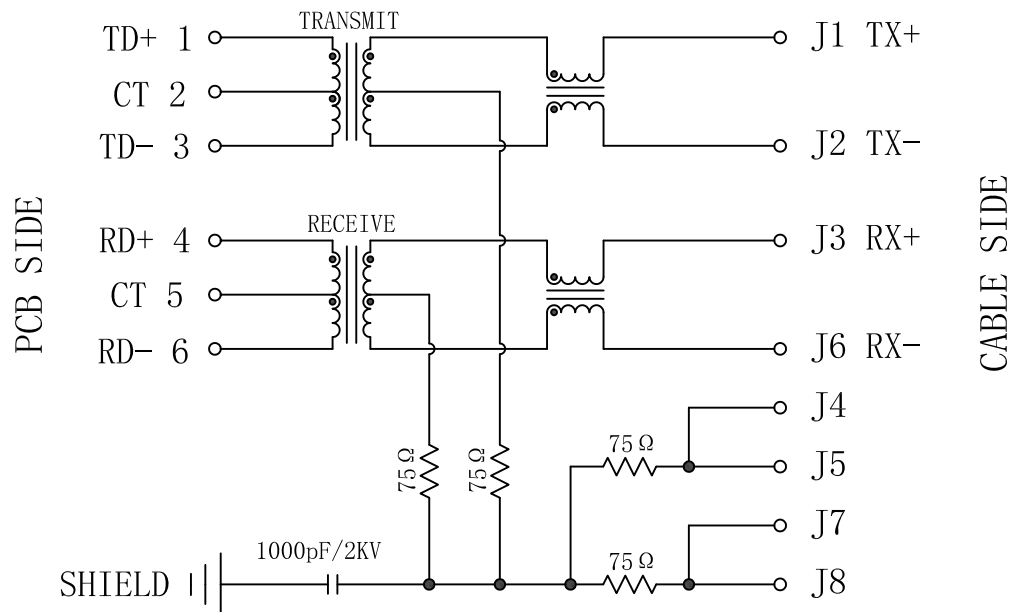
1. Meets IEEE 802.3 specification
2. Connector Materials:  
 Housing: Thermoplastic UL94V-0  
 Contact/Shield: Copper alloy  
 Shield plating: Nickel  
 Contact plating: Gold 6 micro-inches min. in contact area.
3. Maximum reflow temperature is: 250°C, 5 Sec.
4. UL Certification: File Number E321120



X:X ±0.25	APPD:	<b>Trxcom</b> Huizhou Trxcom Electronics Co., Ltd.
X:XX ±0.20	CHKD:	
X:XXX ±0.05	DR: SEA	TITLE: Surface Mount 1×1 Tab-Up Jack With 10/100 Magnetic
ANGLES ±1°	UNIT: mm	PART NO.: TRJ19434BDNL
	SCALE: 2/1	SHEET: 1/4
	REV: A	DWG NO.: TRC13122626

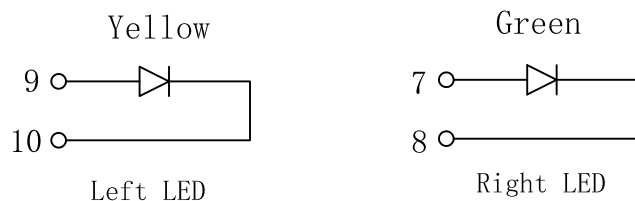
# Schematic:

REV.	ECN NO.	DESCRIPTION	DATE	APPD
A	REL		2015-05-30	



## ELECTRICAL SPECIFICATIONS @25°C

- Turn Ratio ( $\pm 3\%$ ):  
TX=1CT:1CT      RX=1CT:1CT
- Inductance OCL:  
350uH MIN @ 100KHz 0.1V 8mA DC Bias
- DCR: 1.2  $\Omega$  MAX
- Insertion Loss:  
-1.0dB MAX @ 1-100MHz
- Return Loss:  
-18dB MIN @ 1-30MHz  
-15dB MIN @ 30-60MHz  
-12dB MIN @ 60-100MHz
- Cross talk:  
-40dB MIN @ 30MHz  
-35dB MIN @ 60MHz  
-30dB MIN @ 100MHz
- Common Mode Rejection:  
-30dB MIN @ 1-100MHz
- Hipot Test: 1500Vrms
- Operating Temperature Range: -40°C TO +85°C.



Emitting Color	$\lambda$ p(nm)	VF@IF=20mA	IR @VR=5V
Green	565	1.8~2.4V	10 $\mu$ A max
Yellow	585	1.8~2.4V	10 $\mu$ A max

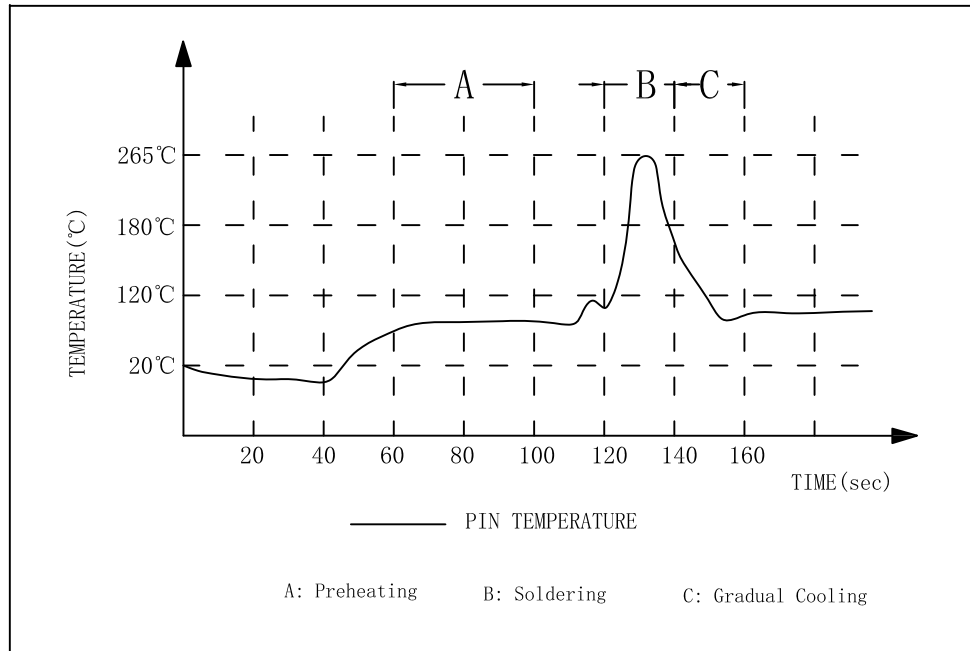
X:X	$\pm 0.25$	APPD:	<b>Trxcom</b>	
X:XX	$\pm 0.20$	CHKD:	Huizhou Trxcom Electronics Co., Ltd.	
X:XXX	$\pm 0.05$	DR: SEA	TITLE: Surface Mount 1x1 Tab-Up Jack With 10/100 Magnetic	
ANGLES	$\pm 1^\circ$	UNIT: mm	PART NO.: TRJ19434BDNL	
	SCALE: 2/1	SHEET: 2/4	REV: A	DWG NO.: TRC13122626

Profile of wave solder:

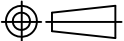
REV.	ECN NO.	DESCRIPTION	DATE	APPD.
A	REL		2015-05-30	

SUGGESTED PROFILE OF WAVE SOLDER FOR ROHS PRODUCT

REV: A  
 TEMP (°C): 25  
 HUM (%): 65 RH

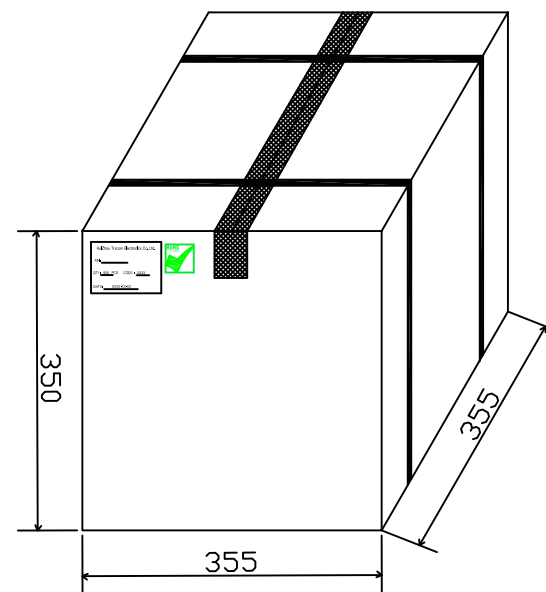
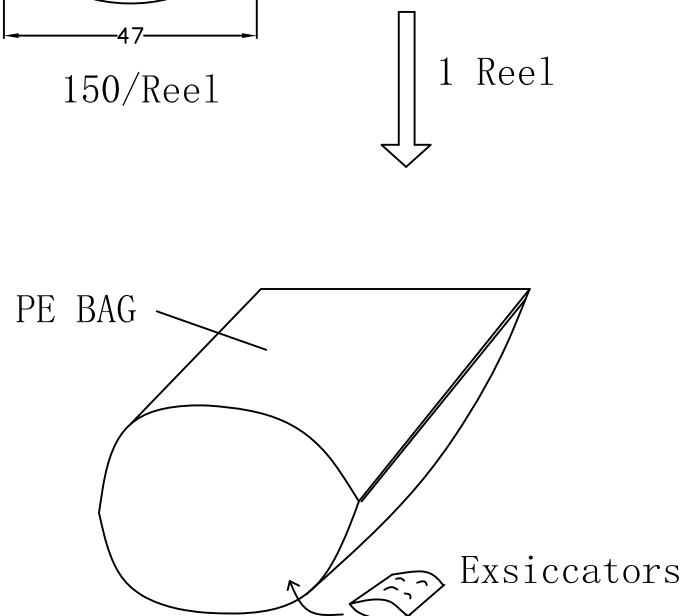
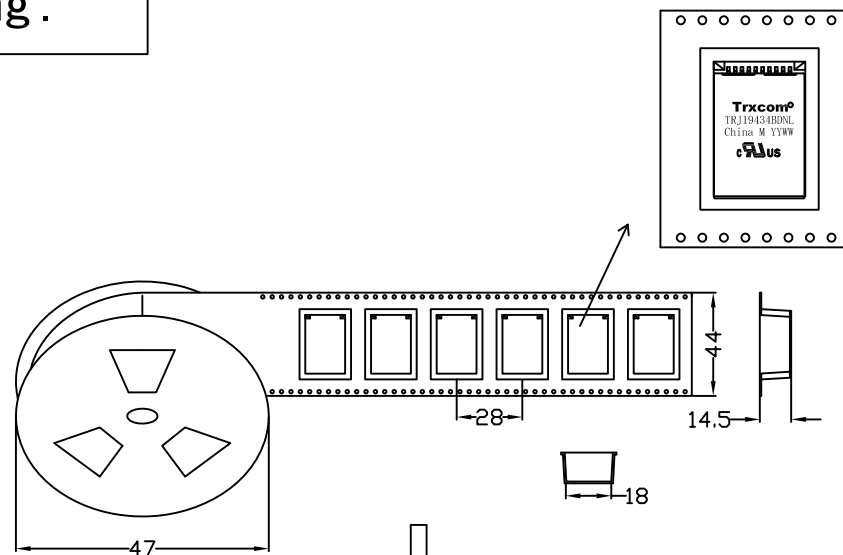


- (1) Tip Temperature: 265°C max
  - (2) Tip Temperature time: 5sec max
- Note: The melting point of Tin: 219°C

X:X ±0.25	APPD:	<b>Trxcom</b> Huizhou Trxcom Electronics Co.,Ltd.
X:XX ±0.20	CHKD:	
X:XXX ±0.05	DR: SEA	TITLE: Surface Mount 1×1 Tab-Up Jack With 10/100 Magnetic
ANGLES ±1°	UNIT: mm	PART NO.: TRJ19434BDNL
	SCALE: 2/1	SHEET: 3/4
	REV: A	DWG NO.: TRC13122626

# Packing:

REV.	ECN NO.	DESCRIPTION	DATE	APPD
B	REL		2015-05-30	



- ◆ Packaging unit : 150 pcs/ reel
- ◆ Packaging way : Carrier tape
- ◆ Outer carton unit : 900 pcs/ 6 Reel/ box
- ◆ Net Weight : 6.5 kg
- ◆ Gross Weight : 9 kg

X:X	±0.25	APPD:	<b>Trxcom</b> Huizhou Trxcom Electronics Co.,Ltd.	
X:XX	±0.20	CHKD:		
X:XXX	±0.05	DR: SEA	TITLE: Surface Mount 1×1 Tab-Up Jack With 10/100 Magnetic	
ANGLES	±1°	UNIT: mm	PART NO. : TRJ19434BDNL	
		SCALE: 2/1	SHEET: 4/4	REV: A
		DWG NO. : TRC13122626		