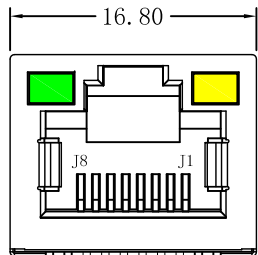
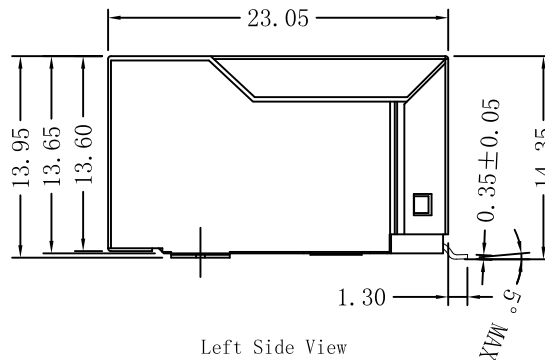


Mechanical:

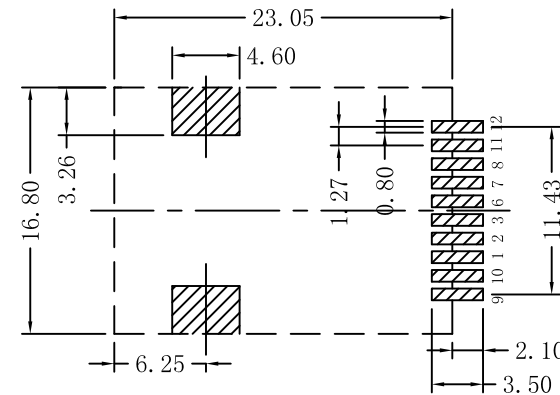
REV.	ECN NO.	DESCRIPTION	DATE	APPD
A	REL		2011-03-17	



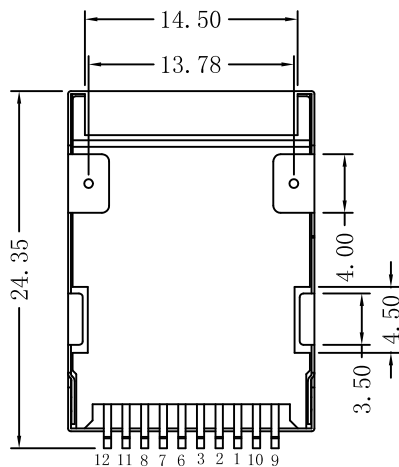
Front Side View



Left Side View



Suggested PCB Layout



Bottom Side View



Top Side View

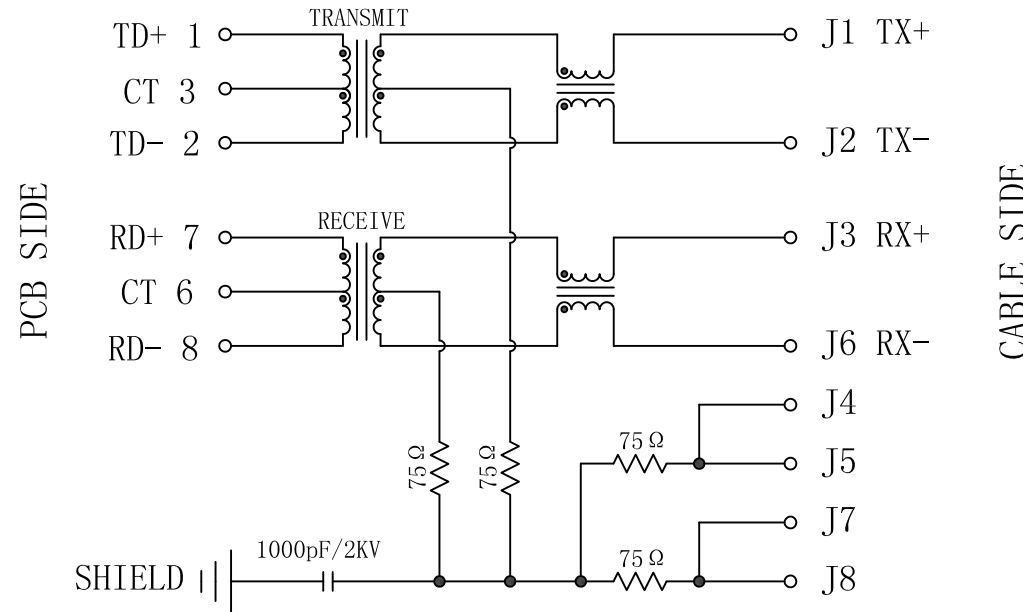
NOTES:

1. Designed to support application, such as SOHO (ADSL modems), LAN-on-Motherboard (LOM), hub and Switches.
2. Meets IEEE 802.3 specification.
3. Connector Materials:
 Housing: Thermoplastic UL94V-0
 Contact/Shield: Copper alloy
 Shield plating: Nickel
 Contact plating: Gold 6 micro-inches min. In contact area.
4. Maximum reflow temperature is: 250°C, 5 Sec.
5. UL Certification: File Number E321120

X:X ±0.25	APPD:	Trxcom Huizhou Trxcom Electronics Co., Ltd.
X:XX ±0.20	CHKD:	
X:XXX ±0.05	DR: SEA	TITLE: Surface Mount 1×1 Tab-Up Jack With 10/100 Magnetic
ANGLES ±1°	UNIT: mm	PART NO.: TRJ19401BBNL
	SCALE: 2/1	SHEET: 1/4
	REV: A	DWG NO.: TRC11031701

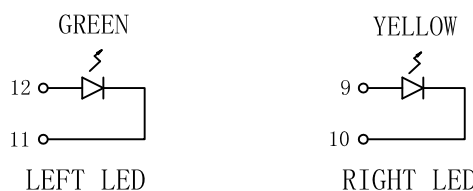
Schematic:

REV.	ECN NO.	DESCRIPTION	DATE	APPD
A	REL		2011-03-17	



ELECTRICAL SPECIFICATIONS @25°C

- Turn Ratio($\pm 3\%$):
TX=1CT:1CT RX=1CT:1CT
- Inductance OCL:
350uH Min @ 100KHz 0.1V 8mA DC Bias
- DCR: 1.2 Ω Max
- Insertion Loss:
-1.0dB Max @ 1-100MHz
- Return Loss:
-18dB Min @ 1-30MHz
-15dB Min @ 30-60MHz
-12dB Min @ 60-100MHz
- Cross talk:
-40dB Min @ 30MHz
-35dB Min @ 60MHz
-30dB Min @ 100MHz
- Common Mode Rejection:
-30dB Min @ 1-100MHz
- Operating Voltage: 3.3-5V Max.
Current: 350mA.
- Hipot Test: 1500Vrms
- Operating Temperature Range: -40°C to +85°C.

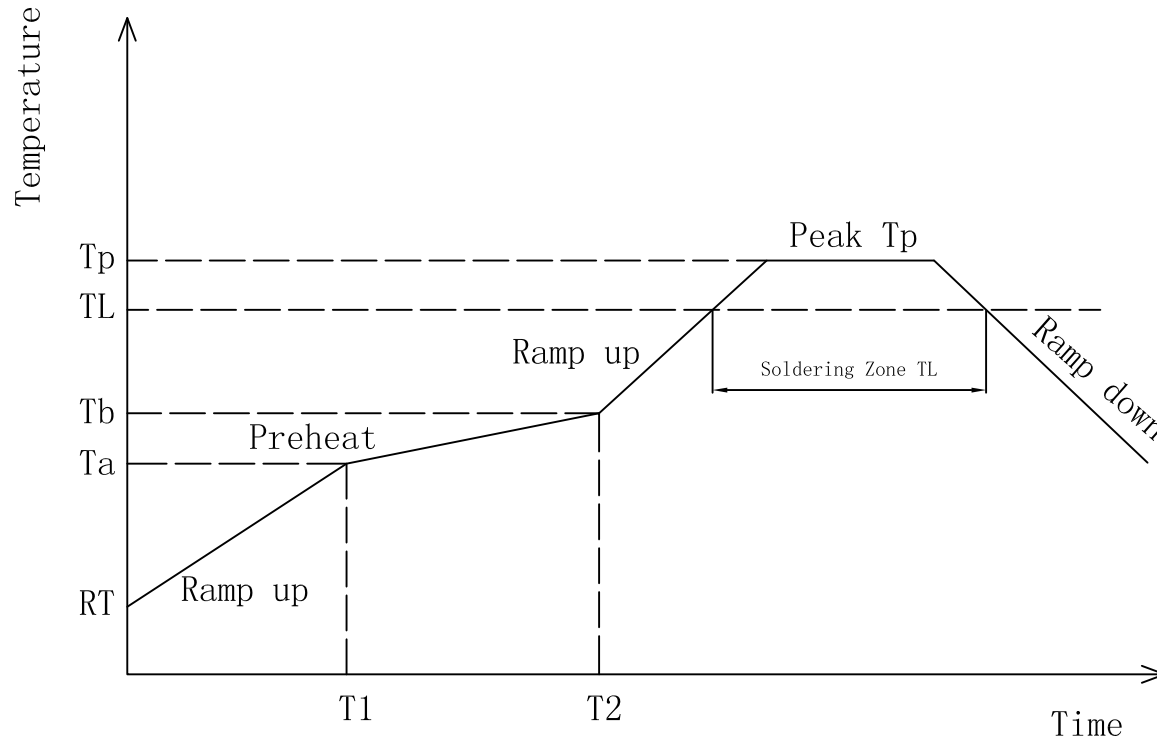


Emitting Color	λ_p (nm)	VF@IF=20mA	IR @VR=5V
GREEN	565	1.8~2.6V	10 μ A max
YELLOW	585	1.8~2.6V	10 μ A max

X:X	± 0.25	APPD:	Trxcom Huizhou Trxcom Electronics Co.,Ltd.	
X:XX	± 0.20	CHKD:		
X:XXX	± 0.05	DR: SEA	TITLE: Surface Mount 1x1 Tab-Up Jack With 10/100 Magnetic	
ANGLES	$\pm 1^\circ$	UNIT: mm	PART NO.: TRJ19401BBNL	
	SCALE: 2/1	SHEET: 2/4	REV: A	DWG NO.: TRC11031701

IR Reflow:

REV.	ECN NO.	DESCRIPTION	DATE	APPD
A	REL		2011-03-17	



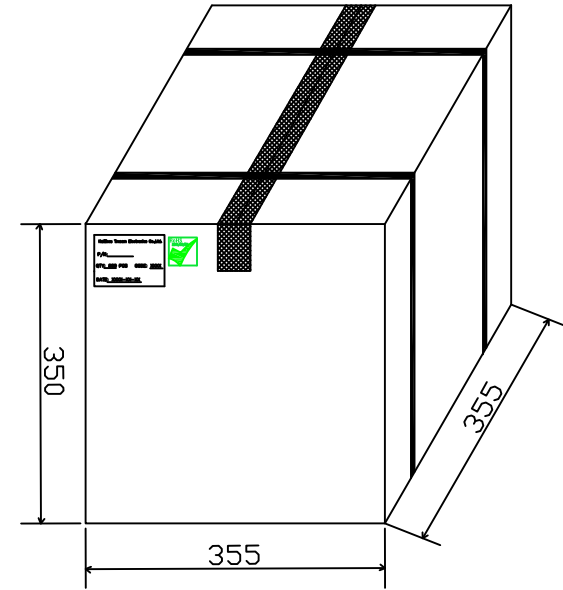
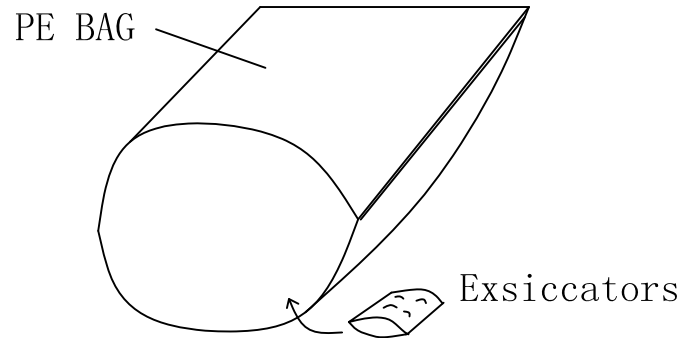
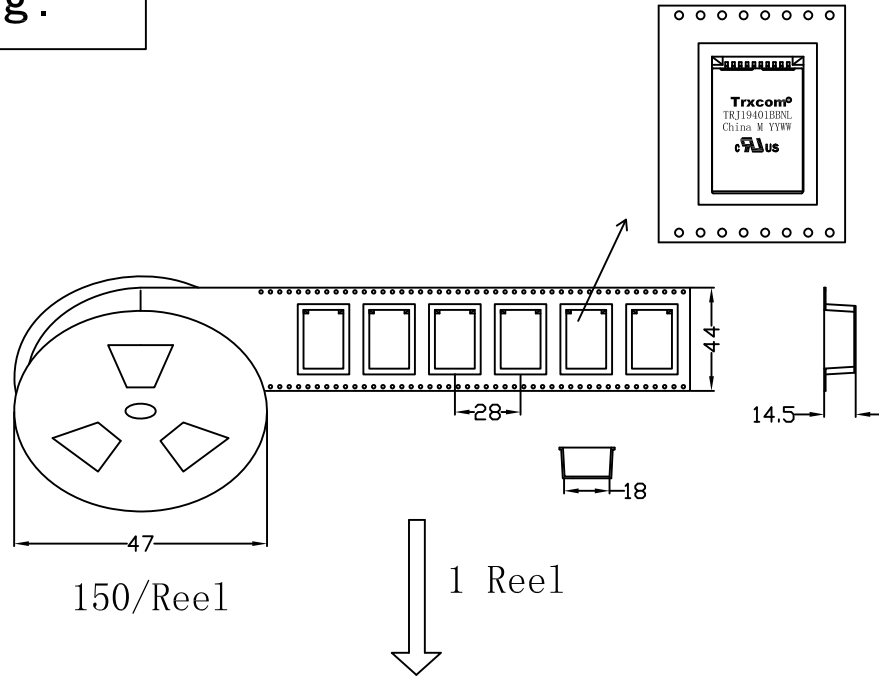
- ◆ Preheat:
Temperature (Ta-Tb) : 150-200°C
Time (t1-t2) : 60-180s
- ◆ Holding Temperature: 217°C
Time (TL) : 60-150s
- ◆ Max Temperature (Tp) : 250 (+0/-5°C)
Max Time (Tp) : 30s
- ◆ The average speed: 3°C/S Max
The average cooling speed: 6°C/S Max
- ◆ From 25°C to Products out of the furnace: 6 minutes Max



X:X ±0.25	APPD:	Trxcom Huizhou Trxcom Electronics Co., Ltd.
X:XX ±0.20	CHKD:	
X:XXX ±0.05	DR: SEA	
ANGLES ±1°	UNIT: mm	TITLE: Surface Mount 1×1 Tab-Up Jack With 10/100 Magnetic
		PART NO.: TRJ19401BBNL
	SCALE: 2/1	SHEET: 3/4
	REV: A	DWG NO.: TRC11031701

Packing:

REV.	ECN NO.	DESCRIPTION	DATE	APPD
B	REL		2011-03-17	



- ◆ Packaging unit: 150 pcs/ reel
- ◆ Packaging way: Carrier tape
- ◆ Outer carton unit: 900pcs/6 Reel/box
- ◆ Net Weight: 6.5 kg
- ◆ Gross Weight: 9 kg

X:X	±0.25	APPD:	Trxcom
X:XX	±0.20	CHKD:	
X:XXX	±0.05	DR: SEA	TITLE: Surface Mount 1×1 Tab-Up Jack With 10/100 Magnetic
ANGLES	±1°	UNIT: mm	PART NO.: TRJ19401BBNL
	SCALE: 2/1	SHEET: 4/4	REV: A DWG NO.: TRC11031701