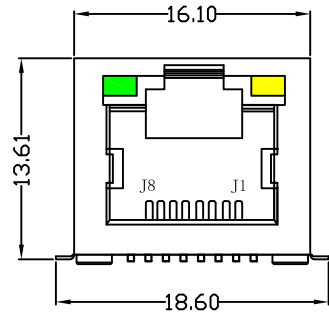
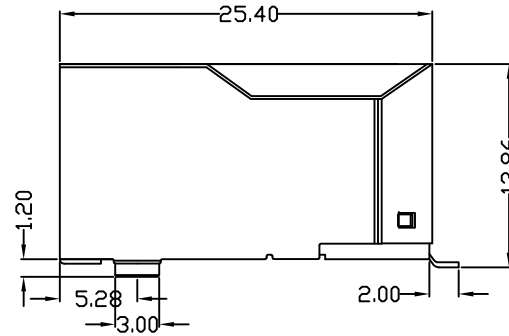


# Mechanical:

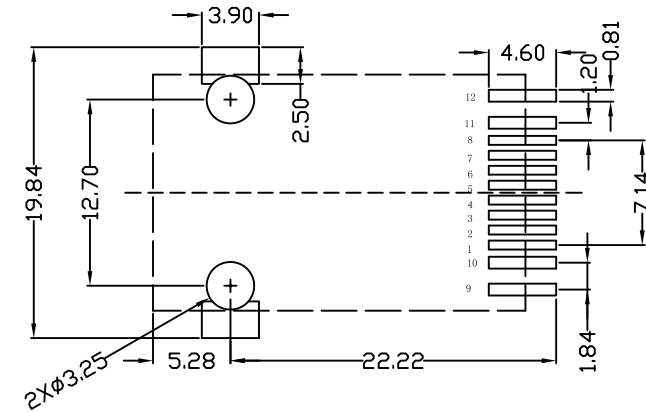
REV.	ECN NO.	DESCRIPTION	DATE	APPD
A	REL		2015-05-11	



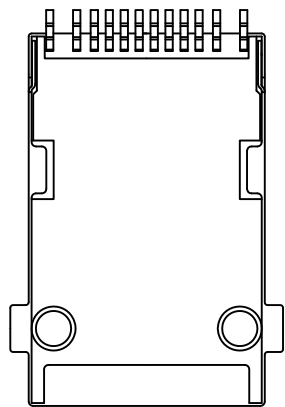
Front Side View



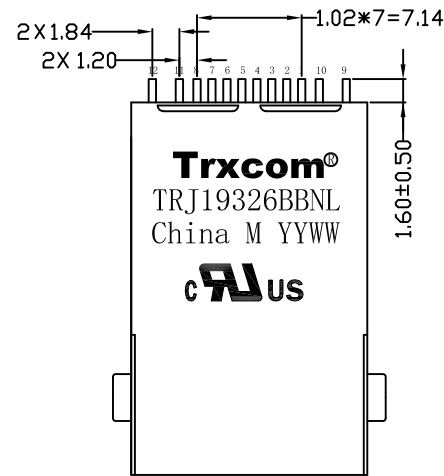
Left Side View



Suggested PCB Layout (Top View)



Bottom Side View



Top Side View

## NOTES:

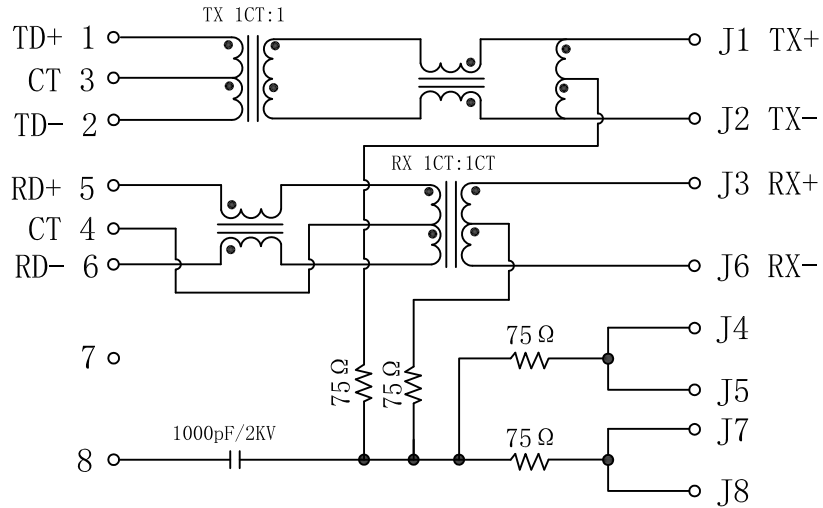
1. Meets IEEE 802.3 specification
2. Connector Materials:  
 Housing Material: Thermoplastic LCP+30%G. F UL94V-0  
 Contact Material: Phosphor Bronze C5210R-EH Thickness=0.35mm  
 Pins: Brass C2680R-H Thickness=0.35mm  
 Shield: Copper alloy Brass H65Y Thickness=0.2mm  
 Contact plating: Gold 6 micro-inches min. In contact area.
3. Maximum reflow temperature is 245°C, 5 Sec.
4. UL Certification: File Number E321120.

X:X ±0.25	APPD:	<b>Trxcom</b> Huizhou Trxcom Electronics Co., Ltd
X:XX ±0.20	CHKD:	
X:XXX ±0.05	DR: SEA	TITLE: Surface Mount 1×1 Tab-Up Jack With 10/100M Magnetic
ANGLES ±1°	UNIT: mm	PART NO.: TRJ19326BBNL
	SCALE: 2/1	SHEET: 1/4
	REV: A	DWG NO.: TRC14021301

# Schematic:

REV.	ECN NO.	DESCRIPTION	DATE	APPD
A	REL		2015-05-11	

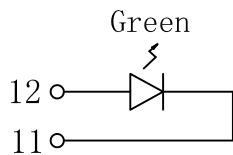
PC BOARD CONNECTIONS



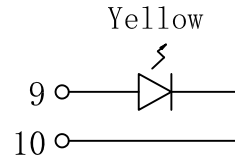
RJ45 CONNECTOR

## Electrical Specifications @25°C

- Turns Ratio ( $\pm 2\%$ ) :  
TX=1CT:1      RX=1CT:1CT
- OCL: 350uH Min  
@100KHz, 100mV, 8mADC Bias
- Insertion Loss:  
1-65MHz:-1.0dB Max
- Return Loss(dB Min @100  $\Omega \pm 15 \Omega$ ) :  
1-10MHz:-20      30MHz:-16  
60-80MHz:-12
- Crosstalk(dB Min):  
1-10MHz:-40      30-60MHz:-35  
60-100MHz:-30
- Common Mode Rejection(dB Min):  
1-50MHz:-30      50-130MHz:-20
- Isolation Voltage: 1500Vrms Min
- Operating Temperature: 0°C~70°C.



Left LED



Right LED

Emitting Color	$\lambda$ p(nm)	VF@IF=20mA	IR @VR=5V
Green	565	1.8~2.4V	10 $\mu$ A max
Yellow	585	1.8~2.4V	10 $\mu$ A max

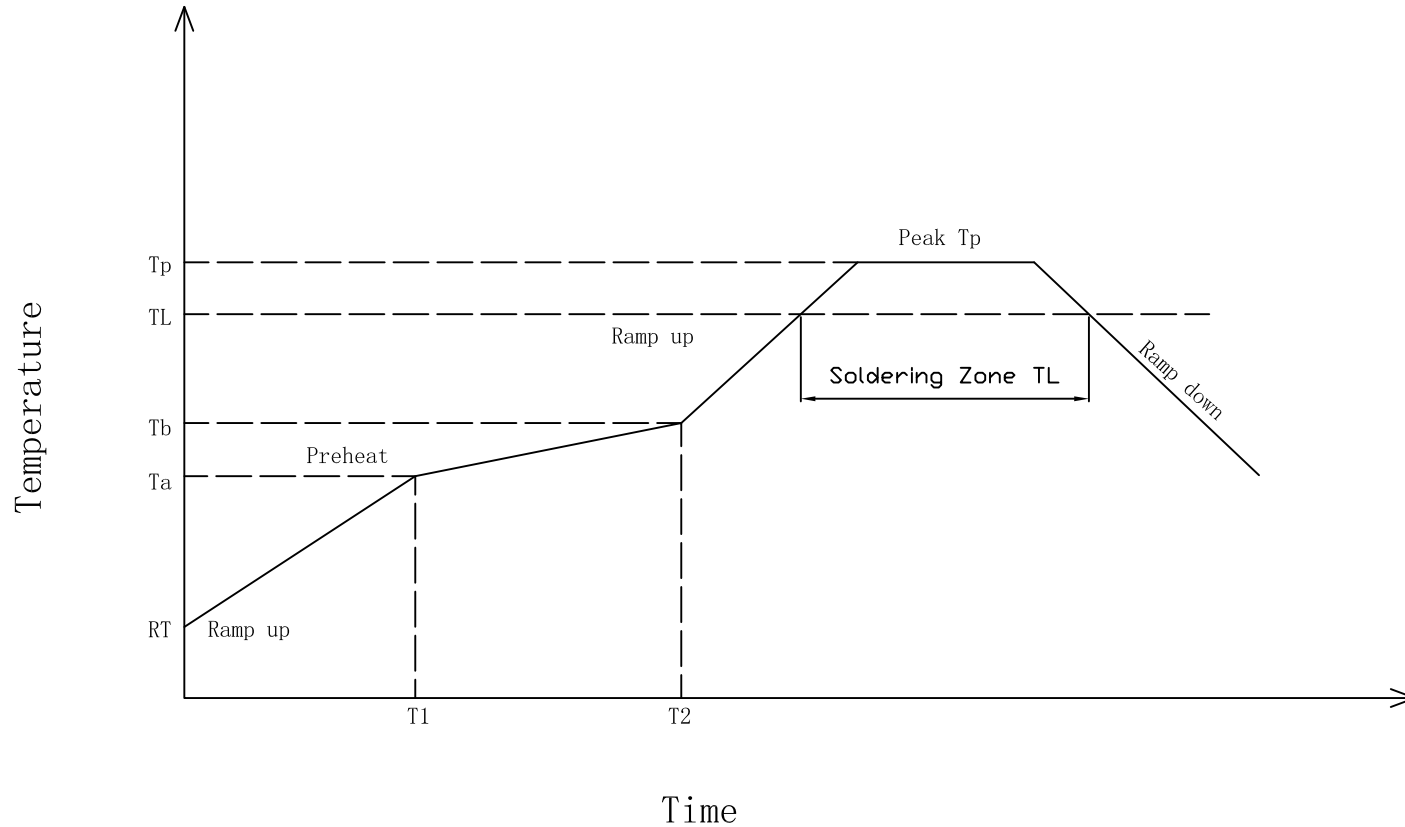


X:X	$\pm 0.25$	APPD:	<b>Trxcom</b> Huizhou Trxcom Electronics Co.,Ltd	
X:XX	$\pm 0.20$	CHKD:		
X:XXX	$\pm 0.05$	DR: SEA	TITLE: Surface Mount 1×1 Tab-Up Jack With 10/100M Magnetic	
ANGLES	$\pm 1^\circ$	UNIT: mm	PART NO. : TRJ19326BBNL	
	SCALE: 2/1	SHEET: 2/4	REV: A	DWG NO. : TRC14021301

IR Reflow:

REV.	ECN NO.	DESCRIPTION	DATE	APPD
A	REL		2015-07-03	

REV: A  
 TEMP(°C): 25  
 HUM(%): 65 RH



Preheat:  
 Temperature (Ta-Tb) : 150-200°C  
 Time (T1-T2) : 60-180s

Holding Temperature: 217°C  
 Time (TL) : 60-150s

Max Temperature (Tp) : 245(+0/-5°C)  
 Max Time (Tp) : 10s

The average speed: 3°C/S Max  
 The average cooling speed: 6°C/S Max

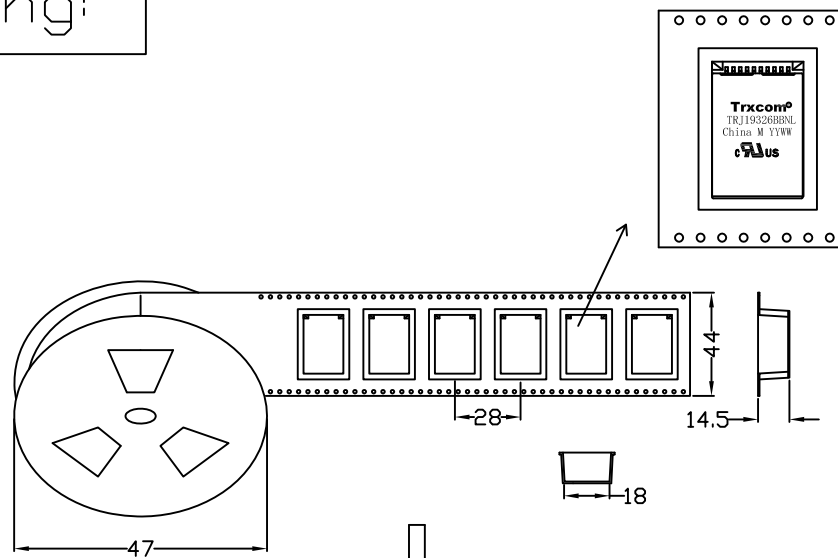
From 25°C to Products out of the  
 furnace: 6 minutes Max



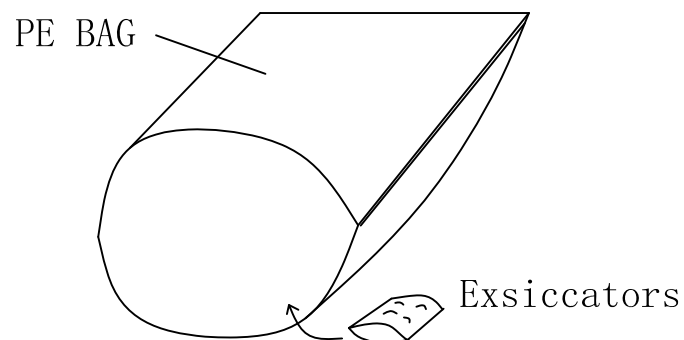
X:X ±0.25	APPD:	<b>Trxcom</b> Huizhou Trxcom Electronics Co.,Ltd
X:XX ±0.20	CHKD:	
X:XXX ±0.05	DR: SEA	TITLE: Surface Mount 1×1 Tab-Up Jack With 10/100M Magnetic
ANGLES ±1°	UNIT: mm	PART NO.: TRJ19326BBNL
	SCALE: 2/1	SHEET: 3/4
	REV: A	DWG NO.: TRC14012115

# Packing:

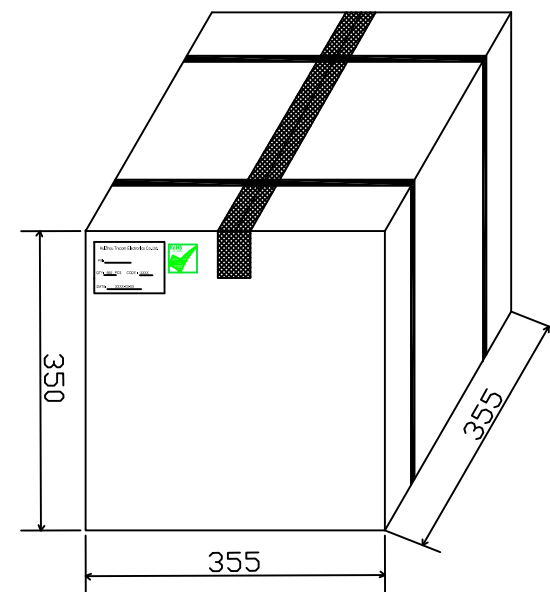
REV.	ECN NO.	DESCRIPTION	DATE	APPD
B	REL		2015-07-03	



150/Reel  
1 Reel



6 Bag



- ◆ Packaging unit : 150 pcs/ reel
- ◆ Packaging way : Carrier tape
- ◆ Outer carton unit : 900 pcs/ 6 Reel/ box
- ◆ Net Weight : 6.5 kg
- ◆ Gross Weight : 9 kg

X:X	±0.25	APPD:	<b>Trxcom</b> Huizhou Trxcom Electronics Co.,Ltd	
X:XX	±0.20	CHKD:		
X:XXX	±0.05	DR: SEA	TITLE: Surface Mount 1×1 Tab-Up Jack With 10/100M Magnetic	
ANGLES	±1°	UNIT: mm	PART NO. : TRJ19326BBNL	
		SCALE: 2/1	SHEET: 4/4	REV: A
			DWG NO. :	TRC14012115