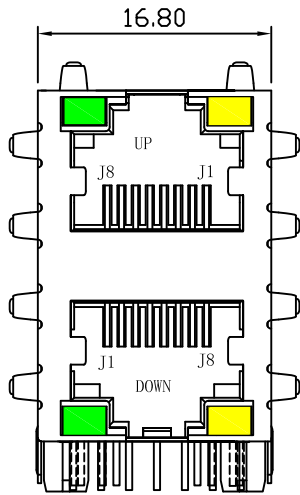
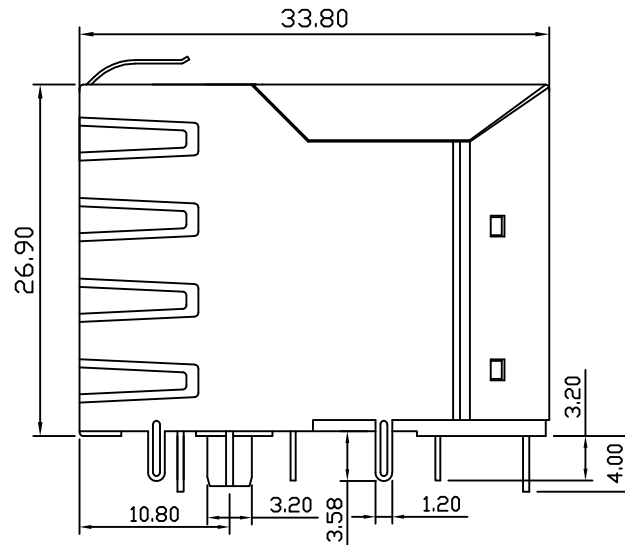


Mechanical:

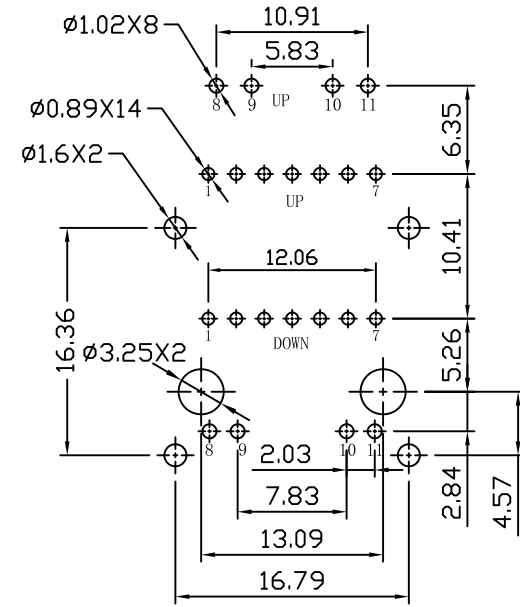
REV.	ECN NO.	DESCRIPTION	DATE	APPD
A	REL		2014-06-19	



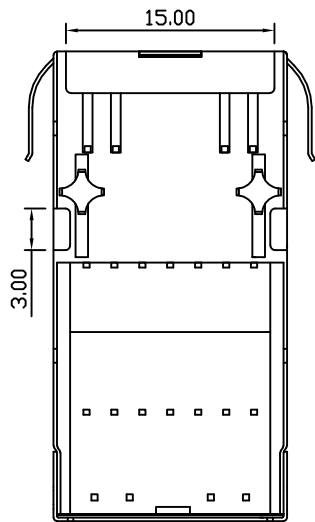
Front Side View



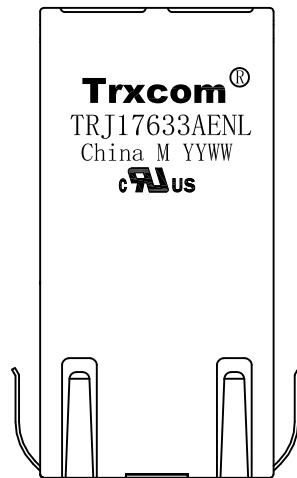
Left Side View



Suggested PCB Layout (Top View)



Bottom Side View



Top Side View

NOTES:

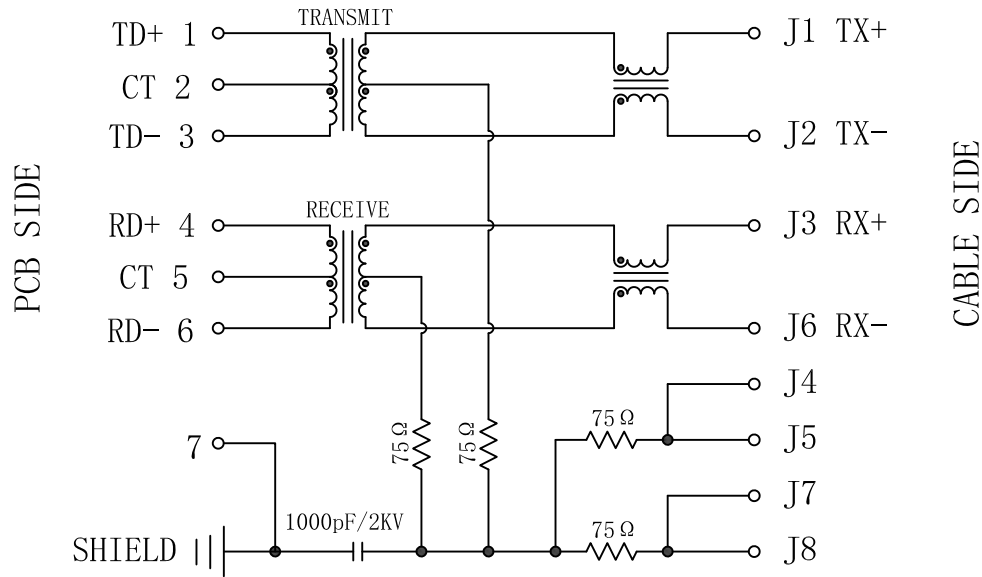
1. Meets IEEE 802.3 specification
2. Connector Materials:
 Housing Material: Thermoplastic PBT+30%G.F UL94V-0
 Contact Material: Phosphor Bronze C5210R-EH Thickness=0.35mm
 Pins: Brass C2680R-H Thickness=0.35mm
 Shield: SUS 201-1/2H Thickness=0.2mm
 Contact plating: Gold 6 micro-inches min. In contact area.
3. Wave solder tip temperature: 265°C Max, 5 Sec.
4. UL Certification: File Number E321120



X:X ±0.30	APPD:	Trxcom Huizhou Trxcom Electronics Co., Ltd.
X:XX ±0.25	CHKD:	
X:XXX ±0.05	DR: SEA	TITLE: 2*1 RJ45 Connector with 10/100 Base-T Integrated Magnetics
ANGLES ±1°	UNIT: mm	PART NO.: TRJ17633AENL
	SCALE: 2/1	SHEET: 1/2
	REV: A	DWG NO.: TRC14061921

Schematic:

REV.	ECN NO.	DESCRIPTION	DATE	APPD
A	REL		2014-06-19	

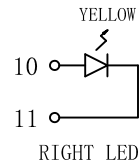
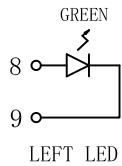


PCB SIDE

CABLE SIDE

ELECTRICAL SPECIFICATIONS @25°C

- Turn Ratio ($\pm 3\%$):
TX=1CT:1CT RX=1CT:1CT
- Inductance OCL:
350uH MIN @100KHz 0.1V 8mA DC Bias
- DCR:
1.2Ω MAX
- Insertion Loss:
-1.0dB MAX @1~100MHz
- Return Loss:
-18dB MIN @1~30MHz
-15dB MIN @30~60MHz
-12dB MIN @60~100MHz
- Cross talk:
-40dB MIN @30MHz
-35dB MIN @60MHz
-30dB MIN @100MHz
- Common Mode Rejection:
-30dB MIN @1~100MHz
- Hipot Test: 1500Vrms
- Operating Temperature Range: 0°C~70°C



Emitting Color	λ_p (nm)	V _F @I _F =20mA	I _R @V _R =5V
GREEN	565	1.8~2.6V	10 μA max
YELLOW	585	1.8~2.6V	10 μA max

X:X ±0.30	APPD:	Trxcom Huizhou Trxcom Electronics Co., Ltd.
X:XX ±0.25	CHKD:	
X:XXX ±0.05	DR: SEA	TITLE: 2*1 RJ45 Connector with 10/100 Base-T Integrated Magnetics
ANGLES ±1°	UNIT: mm	PART NO.: TRJ17633AENL
	SCALE: 2/1	SHEET: 2/2
	REV: A	DWG NO.: TRC14061921