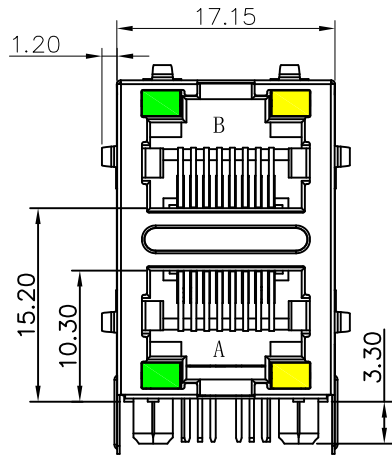
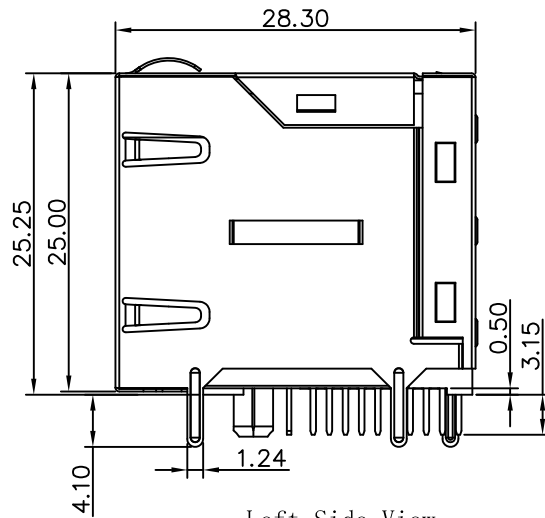


# Mechanical:

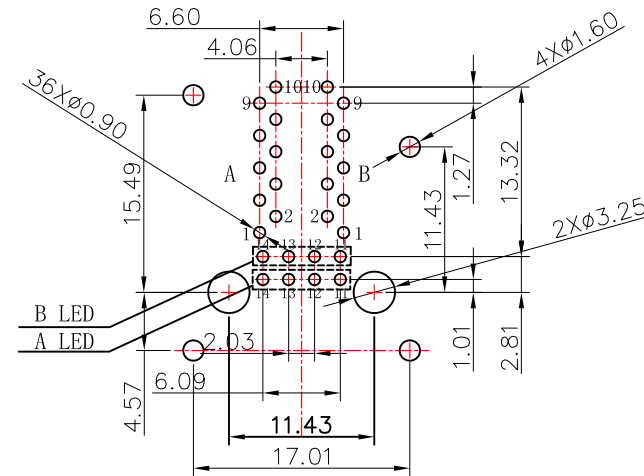
REV.	ECN NO.	DESCRIPTION	DATE	APPD
A	REL		2015/09/15	



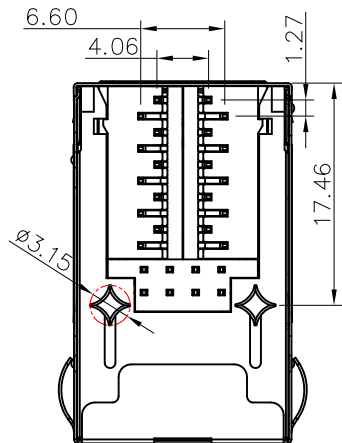
Front Side View



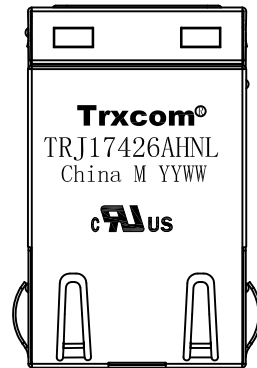
Left Side View



Suggested PCB Layout



Bottom Side View



Top Side View



## NOTES:

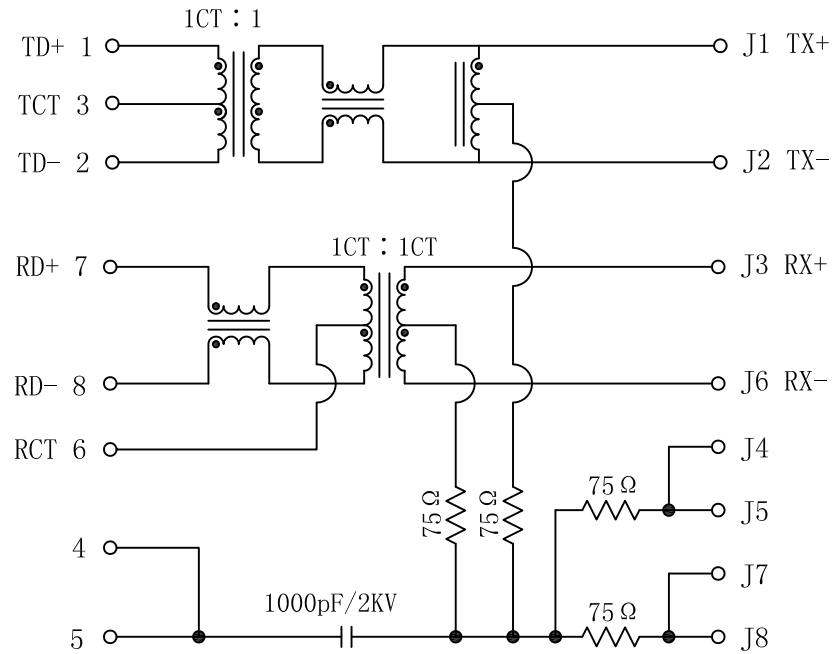
1. Designed to support application, such as SOHO (ADSL modems), LAN-on-Motherboard (LOM), hub and Switches.
2. Meets IEEE 802.3 specification
3. Connector Materials:  
Housing: Thermoplastic UL94V-0  
Contact/Shield: Copper alloy  
Shield plating: Nickel  
Contact plating: Gold 6 micro-inches min. In contact area.
4. Wave solder tip temperature: 265°C Max, 5 Sec Max.
5. UL Certification: File Number E321120.

X:X	±0.30	APPD:	Trxcom ShenZhen Trxcom Electronics Co., ltd
X:XX	±0.25	CHKD:	
X:XXX	±0.05	DR: TOM	TITLE: RJ45 2×1 W/Transformer.10/100 Base-T W/LED
ANGLES	±1°	UNIT: mm	PART NO.: TRJ17426AHNL
	SCALE: 2/1	SHEET: 1/2	REV: A DWG NO.: TRC15091501

# Schematic:

REV.	ECN NO.	DESCRIPTION	DATE	APPD
A	REL		2015/09/15	

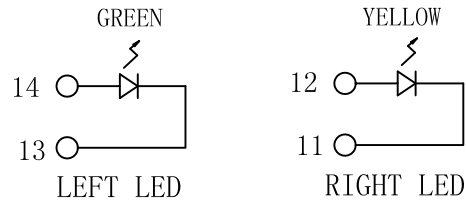
PC BOARD CONNECTIONS



RJ45 CONNECTOR

## Electrical Specifications @25°C

- Turns Ratio ( $\pm 2\%$ ):  
TX=1CT:1                      RX=1CT:1CT
- OCL: 350uH Min  
@100KHz, 100mV, 8mA DC Bias
- Insertion Loss:  
1-65MHz: -1.0dB Max
- Return Loss (dB Min):  
1-10MHz: -20                      10-30MHz: -16  
30-60MHz: -12                      60-100MHz: -10
- Crosstalk (dB Min):  
1-30MHz: -40                      30-60MHz: -35  
60-100MHz: -30
- Common Mode Rejection (dB Min):  
1-50MHz: -30                      50-150MHz: -20
- Isolation Voltage: 1500Vrms
- Operating Temperature:  $-40^{\circ}\text{C} \sim +85^{\circ}\text{C}$ .



Emitting Color	$\lambda$ p(nm)	V <sub>F</sub> @I <sub>F</sub> =20mA	I <sub>R</sub> @V <sub>R</sub> =5V
GREEN	565	1.8~2.6V	10 $\mu$ A max
YELLOW	585	1.8~2.6V	10 $\mu$ A max



X:X	$\pm 0.30$	APPD:	Trxcom ShenZhen Trxcom Electronics Co., ltd
X:XX	$\pm 0.25$	CHKD:	
X:XXX	$\pm 0.05$	DR: C. H. C	TITLE: RJ45 2X1 W/Transformer. 10/100 Base-T W/LED
ANGLES	$\pm 1^{\circ}$	UNIT: mm	PART NO.: TRJ17426AHNL
	SCALE: 2/1	SHEET: 2/2	REV: A      DWG NO.: TRC15091501