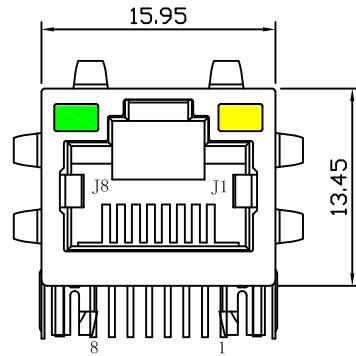
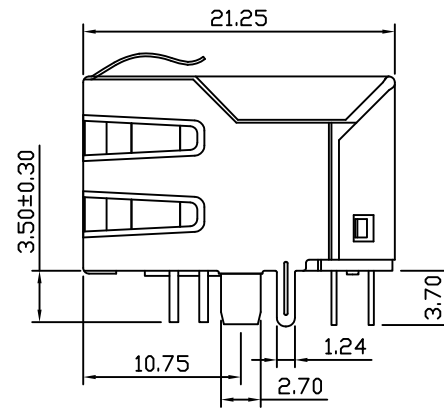


# Mechanical:

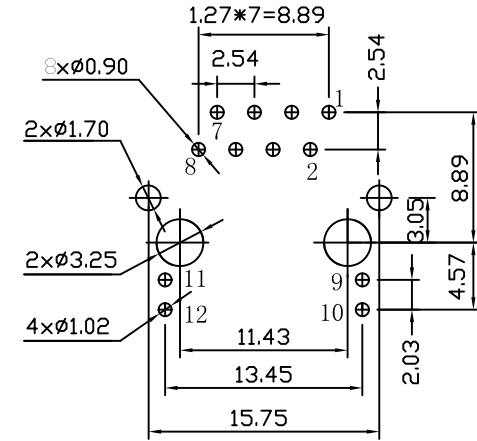
REV.	ECN NO.	DESCRIPTION	DATE	APPD
A	REL		2015-03-27	



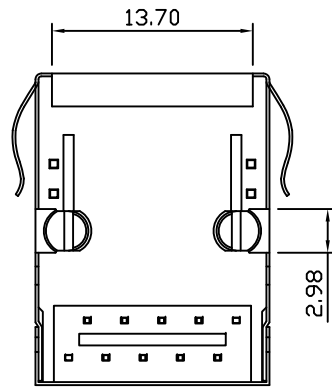
Front Side View



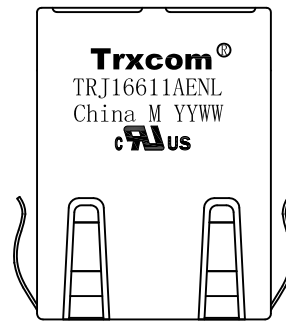
Left Side View



Suggested PCB Layout (Top View)



Bottom Side View



Top Side View

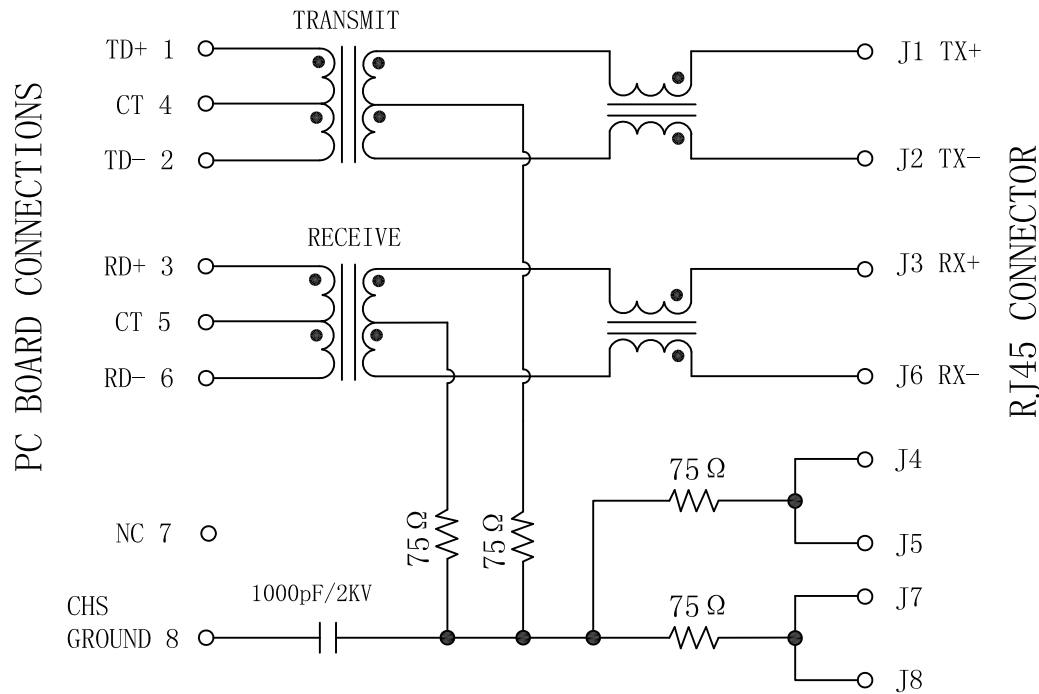
## NOTES:

1. Designed to support application, such as SOHO (ADSL modems), LAN-on-Motherboard (LOM), hub and Switches.
2. Meets IEEE802.3 specification
3. Connector Materials:  
 Housing: Thermoplastic PBT+30%G.F UL94V-0  
 Contact: Phosphor Bronze C5210R-EH Thickness=0.35mm  
 Pins: Brass C2680R-H Thickness=0.35mm  
 Shield: SUS 201-1/2H Thickness=0.2mm  
 Contact plating: Gold 6 micro-inches min. In contact area.
4. Wave solder tip temperature: 265°C Max, 5 Sec.
5. UL Certification: File Number E321120.

X:X ±0.25	APPD:	<b>Trxcom</b> Huizhou Trxcom Electronics Co., Ltd.
X:XX ±0.20	CHKD:	
X:XXX ±0.05	DR: SEA	TITLE: RJ45 Connector with 10/100 Base-T Integrated Magnetics
ANGLES ±1°	UNIT: mm	PART NO.: TRJ16611AENL
	SCALE: 2/1	SHEET: 1/4
	REV: A	DWG NO.: TRC15032132

# Schematic:

REV.	ECN NO.	DESCRIPTION	DATE	APPD
A	REL		2015-03-27	

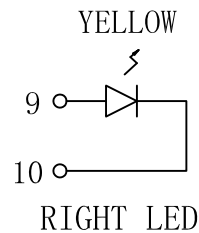
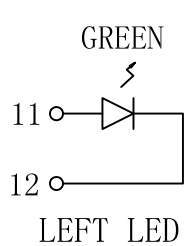


PC BOARD CONNECTIONS

RJ45 CONNECTOR

## ELECTRICAL SPECIFICATIONS @25°C

- Turn Ratio( $\pm 3\%$ ):  
TX=1CT:1CT      RX=1CT:1CT
- Inductance OCL:  
350uH MIN @ 100KHz 0.1V 8mA DC Bias
- DCR:  
1.2  $\Omega$  MAX
- Insertion Loss:  
-1.0dB MAX @ 1-100MHz
- Return Loss:  
-18dB MIN @ 1-30MHz  
-15dB MIN @ 30-60MHz  
-12dB MIN @ 60-100MHz
- Cross talk:  
-40dB MIN @ 1-30MHz  
-35dB MIN @ 30-60MHz  
-30dB MIN @ 60-100MHz
- Common Mode Rejection:  
-30dB MIN @ 1-50MHz  
-20dB MIN @ 50-150MHz
- Hipot Test:1500Vrms
- Operating Temperature Range: -40°C TO +85°C



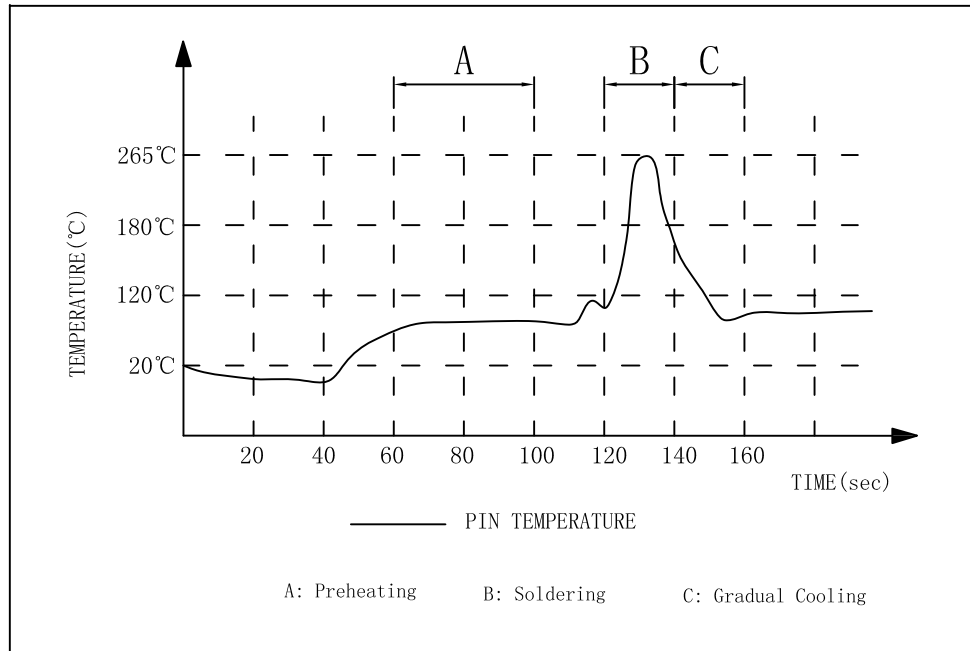
Emitting Color	$\lambda_p$ (nm)	$V_F @ I_F=20mA$	$I_R @ V_R=5V$
GREEN	565	1.8~2.6V	10 $\mu A$ max
YELLOW	585	1.8~2.6V	10 $\mu A$ max

X:X	$\pm 0.25$	APPD:	<b>Trxcom</b>	
X:XX	$\pm 0.20$	CHKD:	Huizhou Trxcom Electronics Co., Ltd.	
X:XXX	$\pm 0.05$	DR: SEA	TITLE: RJ45 Connector with 10/100 Base-T Integrated Magnetics	
ANGLES	$\pm 1^\circ$	UNIT: mm	PART NO.: TRJ16611AENL	
	SCALE: 2/1	SHEET: 2/4	REV: A	DWG NO.: TRC15032132

REV.	ECN NO.	DESCRIPTION	DATE	APPD
A	REL		2015-03-27	

SUGGESTED PROFILE OF WAVE SOLDER FOR ROHS PRODUCT

REV: A  
 TEMP(°C): 25  
 HUM(%): 65 RH

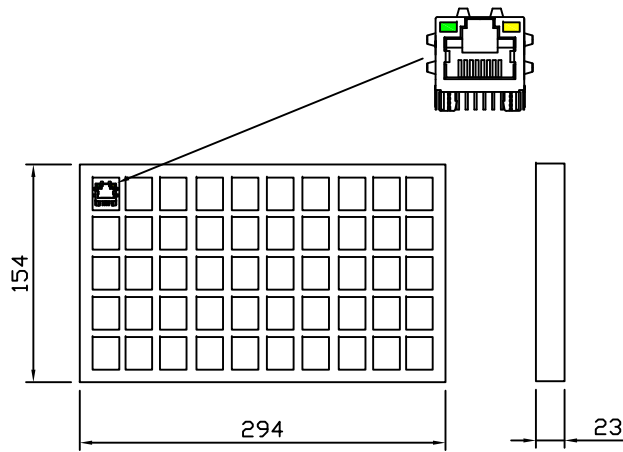


- (1) Tip Temperature: 265°C max
  - (2) Tip Temperature time: 5sec max
- Note: The melting point of Tin: 219°C

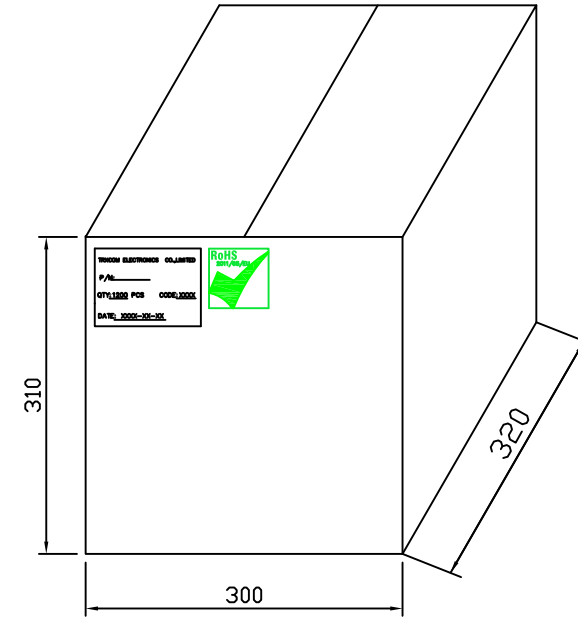
X:X ±0.25	APPD:	<b>Trxcom</b>
X:XX ±0.20	CHKD:	
X:XXX ±0.05	DR: SEA	TITLE: 1*4 RJ45 Connector with 10/100 Base-T Integrated Magnetics
ANGLES ±1°	UNIT: mm	PART NO.: TRJ16611AENL
	SCALE: 2/1	SHEET: 3/4
	REV: A	DWG NO.: TRC15032132

Packaging:

REV.	ECN NO.	DESCRIPTION	DATE	APPD.
A	REL		2015-03-27	



24Tray →



- ◆ Packaging unit: 50pcs/tray
- ◆ Packaging material: PVC
- ◆ Outer carton unit: 1200pcs/24tray/box
- ◆ Net Weight: 8kg
- ◆ Gross Weight: 10kg

X:X ±0.25	APPD:	<b>Trxcom</b> Huizhou Trxcom Electronics Co.,Ltd.
X:XX ±0.20	CHKD:	
X:XXX ±0.05	DR: SEA	TITLE: 1*1 21.25mm RJ45 Packing
ANGLES ±1°	UNIT: mm	PART NO.: TRJ16611AENL
	SCALE: 2/1	SHEET: 4/4
	REV: A	DWG NO.: TRC15032132