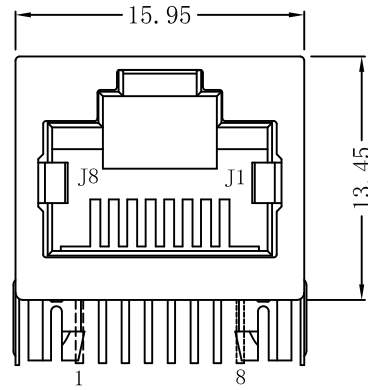
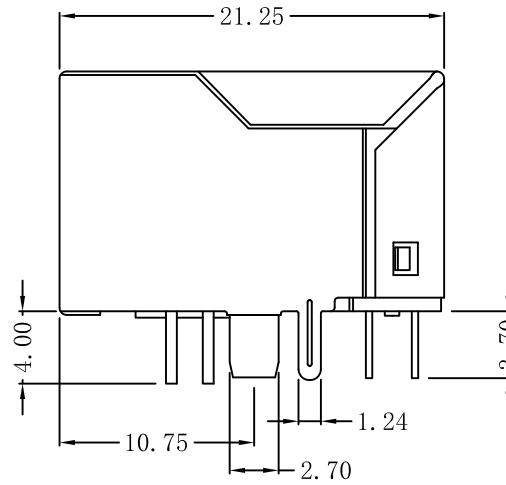


# Mechanical :

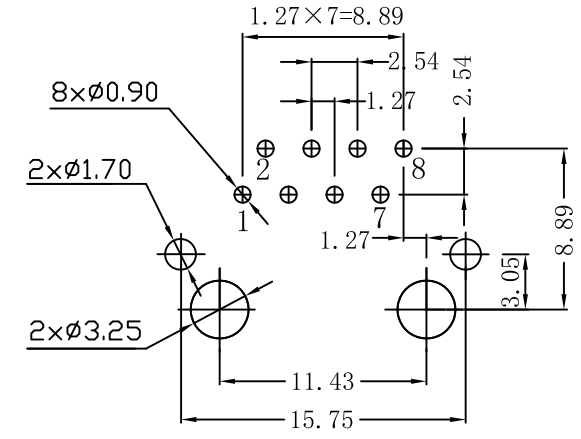
REV.	ECN NO.	DESCRIPTION	DATE	APPD
A	REL		2010-04-22	



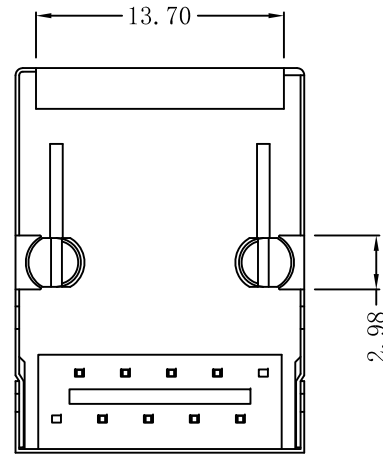
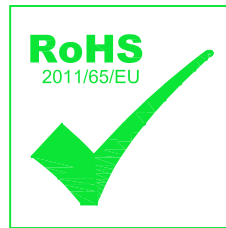
Front Side View



Left Side View



Suggested PCB Layout (Top View)



Bottom Side View



Top Side View

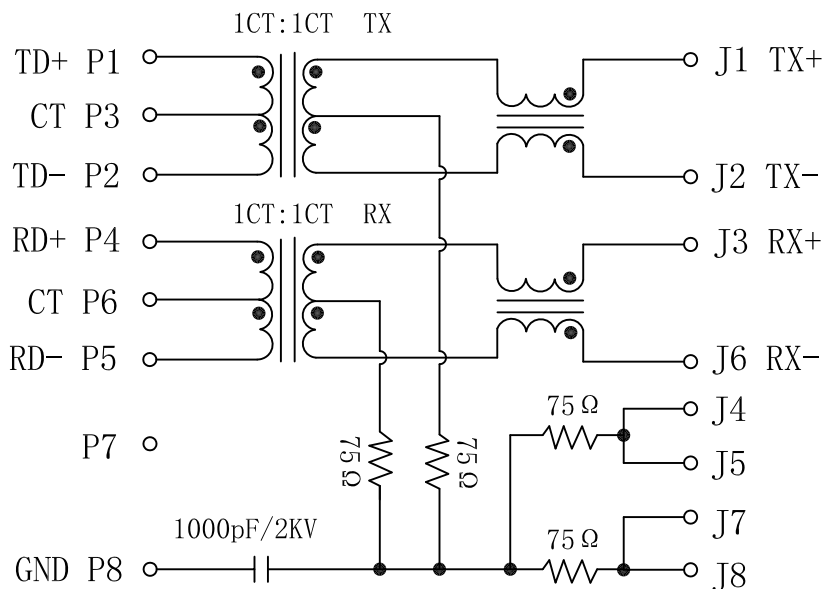
## NOTES:

1. Designed to support application, such as SOHO (ADSL modems), LAN-on-Motherboard (LOM), hub and Switches.
2. Meets IEEE 802.3 specification
3. Connector Materials:  
 Housing: Thermoplastic PBT+30%G.F UL94V-0  
 Contact: Phosphor Bronze C5210R-EH Thickness=0.35mm  
 Pins: Brass C2680R-H Thickness=0.35mm  
 Shield: SUS 201-1/2H Thickness=0.2mm  
 Contact plating: Gold 6 micro-inches Min. In contact area.
4. Wave solder tip temperature: 265°C Max, 5 Sec Max.
5. UL Certification: File Number E321120.

X:X	±0.25	APPD:	<b>Trxcom</b>
X:XX	±0.20	CHKD:	
X:XXX	±0.05	DR: SEA	Huizhou Trxcom Electronics Co., Ltd.
ANGLES	±1°	UNIT: mm	TITLE: RJ45 Connector With 10/100 Base-TX Integrated Magnetic TAB-UP
			PART NO.: TRJ16193DNL
	SCALE: 2/1	SHEET: 1/4	REV: A DWG NO: TRC10042203

# Schematic:

PC BOARD CONNECTIONS



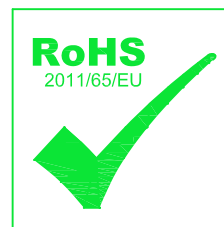
RJ45 CONNECTOR

REV.	ECN NO.	DESCRIPTION	DATE	APPD
A	REL		2010-04-22	

## Electrical Specifications:

### TEST NOTES (25±5°C)

- Turns Ratio:  
TX=1CT:1CT      RX=1CT:1CT
- Inductance: 350uH MIN  
@100KHz, 0.1V, 8mA DC BIAS
- Insertion Loss:  
0.3-100MHz:-1.0dB MAX
- Return Loss(dB MIN):  
1-30MHz:-20;      30-60MHz:-15  
60-80MHz:-10
- Cross Talk:  
1-100MHz:-30dB MIN
- Common To Common Mode Rejection:  
1-100MHz:-30dB MIN
- Hi-Pot Test: 1500Vrms
- Operating Temperature: 0°C~70°C.



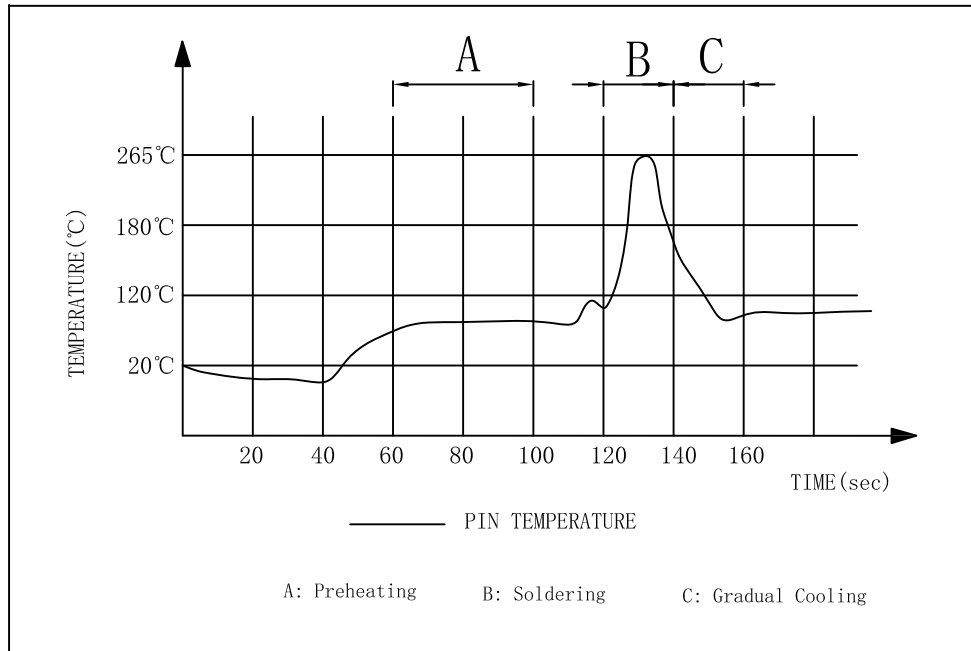
X:X	±0.25	APPD:	<b>Trxcom</b>	
X:XX	±0.20	CHKD:	Huizhou Trxcom Electronics Co.,Ltd.	
X:XXX	±0.05	DR: SEA	TITLE: RJ45 Connector With 10/100 Base-TX Integrated Magnetic TAB-UP	
ANGLES	±1°	UNIT: mm	PART NO.: TRJ16193DNL	
	SCALE: 2/1	SHEET: 2/2	REV: A	DWG NO: TRC10042203

Profile of wave solder:

REV.	ECN NO.	DESCRIPTION	DATE	APPD
A	REL		2010-04-22	

SUGGESTED PROFILE OF WAVE SOLDER FOR ROHS PRODUCT

REV: A  
 TEMP(°C): 25  
 HUM(%): 65 RH

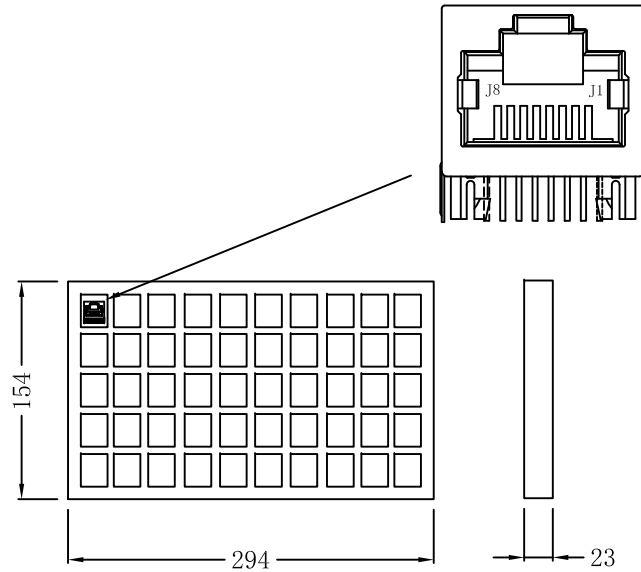


- (1) Tip Temperature: 265°C max
  - (2) Tip Temperature time: 5sec max
- Note: The melting point of Tin: 219°C

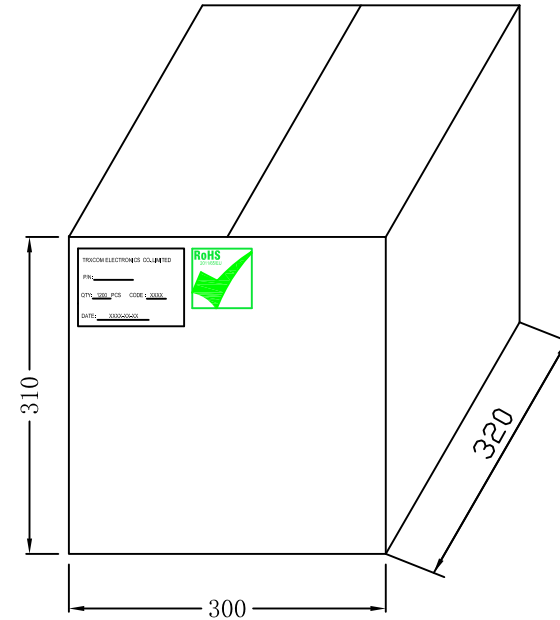
X:X ±0.25	APPD:	<b>Trxcom</b> Huizhou Trxcom Electronics Co.,Ltd.
X:XX ±0.20	CHKD:	
X:XXX ±0.05	DR: SEA	
ANGLES ±1°	UNIT: mm	TITLE: RJ45 Connector with 10/100 Base-T Integrated Magnetics
		PART NO.: TRJ16193DNL
	SCALE: 2/1	SHEET: 3/4
	REV: A	DWG NO.: TRC10042203

Packaging:

REV.	ECN NO.	DESCRIPTION	DATE	APPD
A	REL		2010-04-22	



24Tray →



- ◆ Packaging unit :50pcs/tray
- ◆ Packaging material:PVC
- ◆ Outer carton unit:1200pcs/24tray/box
- ◆ Net Weight:8kg
- ◆ Gross Weight:10kg

X:X	±0.25	APPD:	<b>Trxcom</b> Huizhou Trxcom Electronics Co.,Ltd.		
X:XX	±0.20	CHKD:			
X:XXX	±0.05	DR: SEA	TITLE: 1*1 21.3 RJ45 PACKING		
ANGLES	±1°	UNIT: mm	PART NO. : TRJ16193DNL		
		SCALE: 2/1	SHEET: 4/4	REV: A	DWG NO. : TRC10042203