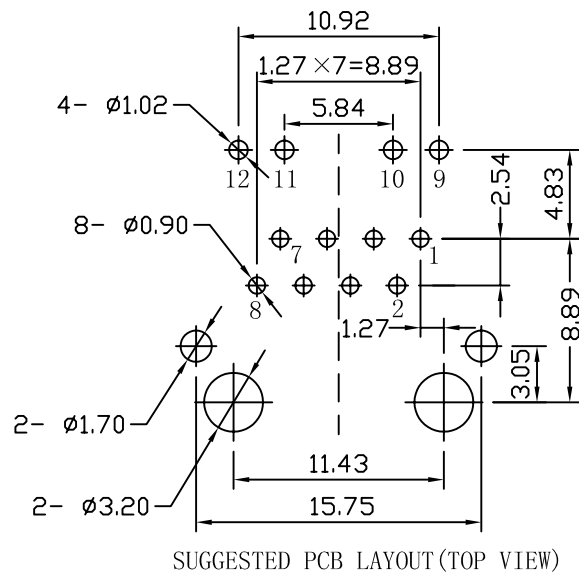
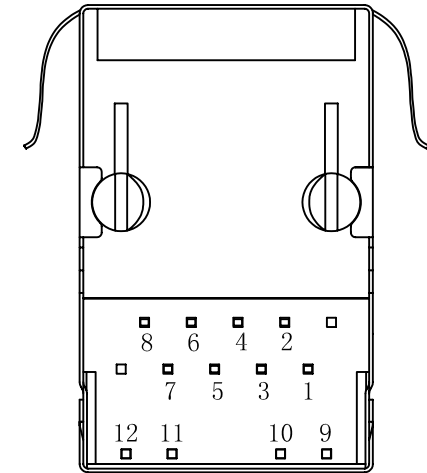
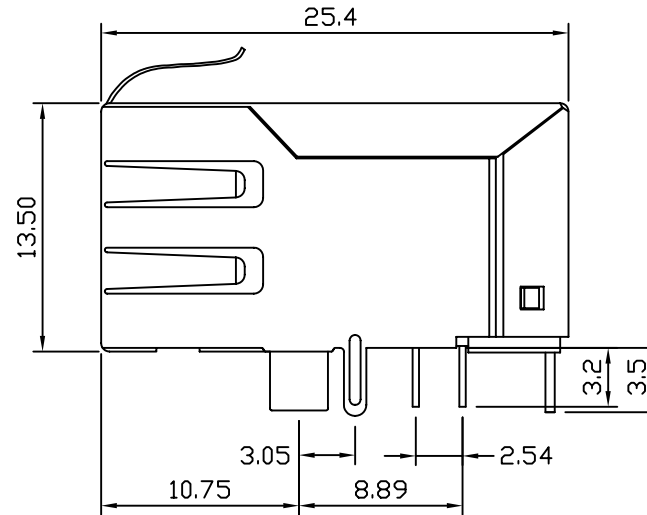
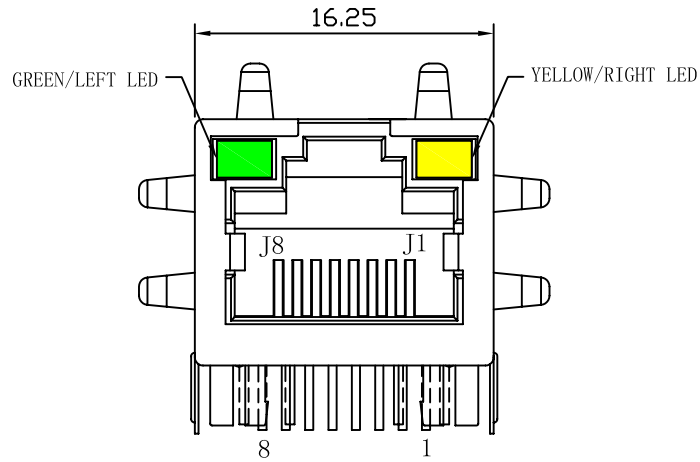


Mechanical:

REV.	ECN NO.	DESCRIPTION	DATE	APPD
A	REL		2012/09/21	



NOTES:

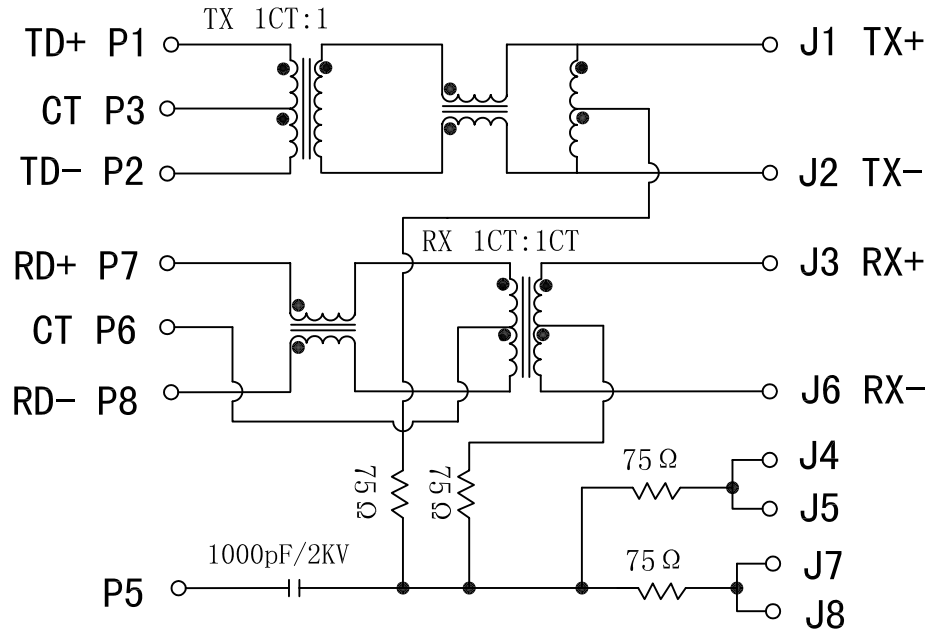
1. Designed to support application, such as SOHO (ADSL modems), LAN-on-Motherboard (LOM), hub and Switches.
2. Meets IEEE 802.3 specification
3. Connector Materials:
 Housing: Thermoplastic UL94V-0
 Contact/Shield: Copper alloy
 Shield plating: Nickel
 Contact plating: Gold 6 micro-inches min. In contact area.
4. Wave solder tip temperature: 260°C
 Wave solder tip temperature time: 5 Sec Max
5. UL Certification: File Number E321120

X:X ±0.25	APPD:	Trxcom	
X:XX ±0.20	CHKD:	ShenZhen Trxcom Electronics Co., ltd	
X:XXX ±0.05	DR: C. H. Y	TITLE: RJ45 Connector with 10/100 Base-T Integrated Magnetics	
ANGLES ±1°	UNIT: mm	PART NO.: TRJ1202AHNL	
	SCALE: 2/1	SHEET: 1/2	REV: A DWG NO.: TRC12092103

Schematic:

REV.	ECN NO.	DESCRIPTION	DATE	APPD
A	REL		2012/09/21	

PC BOARD CONNECTIONS



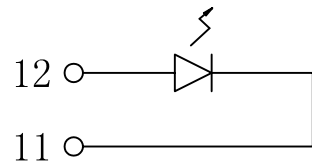
RJ45 CONNECTOR

Electrical Specification:

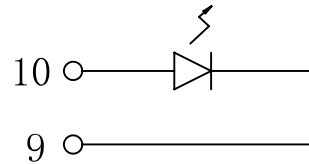
TEST NOTES (25±5°C)

- TR: (100KHz, 100mV);
TX=1CT : 1 RX=1CT : 1CT
- LX: (100KHz, 100mV, 8mA, DC Bias)
PINS: (6, 3), (5, 8)=350uH MIN
- HIPOT:
PINS(1, 2) TO (J1, J2)=1500VAC
PINS(7, 8) TO (J3, J6)=1500VAC
- INSERTION LOSS:
-1.1dB MAX @ 0.1MHz TO 80MHz
- RETURN LOSS:
-18dB MIN @ 1MHz TO 30MHz
-12dB MIN @ 30MHz TO 80MHz
- CROSS TALK:
-40dB TYP @ 1MHz TO 100MHz
- COMMON TO MODE REJECTION ATTENUATION:
-35dB TYP @ 30MHz TO 100MHz
- OPERATING TEMPERATURE: 0°C ~70°C.

GREEN/LEFT LED



YELLOW/RIGHT LED



X:X	±0.25	APPD:	Trxcom	
X:XX	±0.20	CHKD:	ShenZhen Trxcom Electronics Co.,ltd	
X:XXX	±0.05	DR: C. H. Y	TITLE: RJ45 Connector with 10/100 Base-T Integrated Magnetics	
ANGLES	±1°	UNIT: mm	PART NO.: TRJ1202AHNL	
	SCALE: 2/1	SHEET: 2/2	REV: A	DWG NO.: TRC12092103