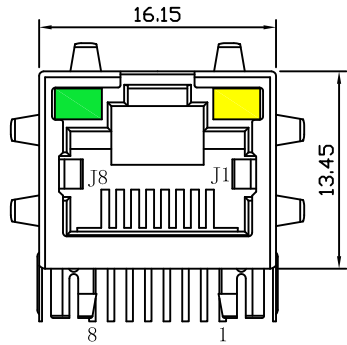
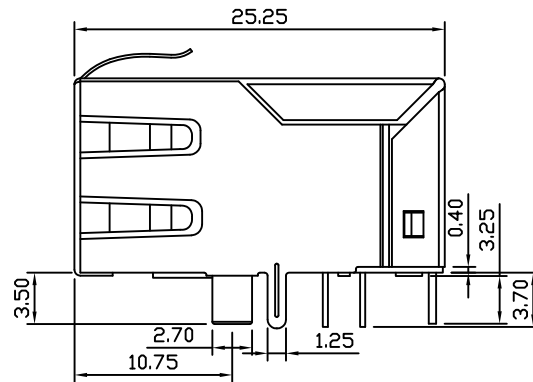


# Mechanical:

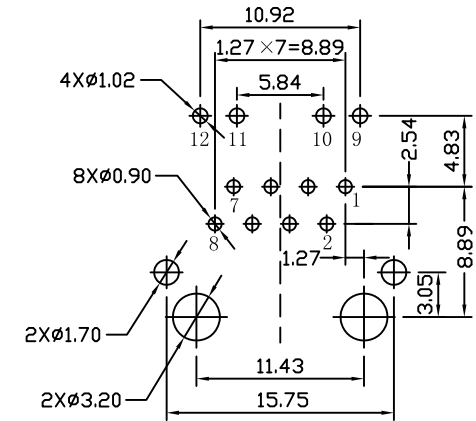
REV.	ECN NO.	DESCRIPTION	DATE	APPD
A	REL		2015-06-02	



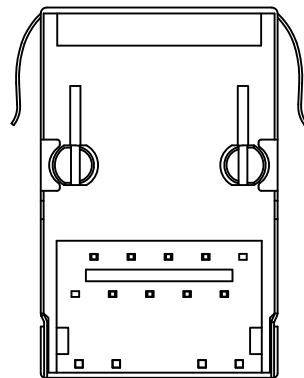
Front Side View



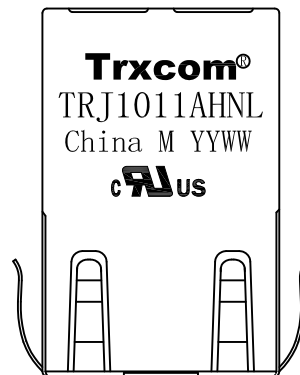
Left Side View



Suggested PCB Layout (Top View)



Bottom Side View



Top Side View

## NOTES:

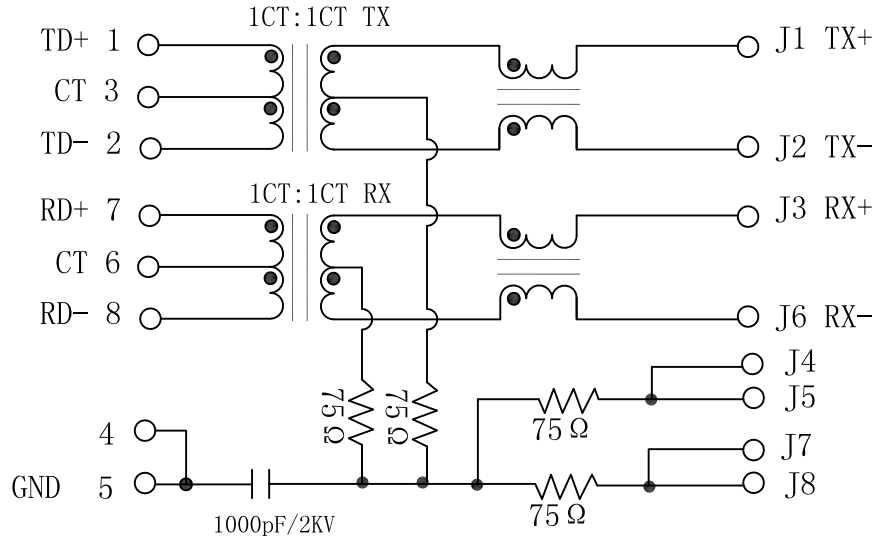
1. Designed to support application, such as SOHO (ADSL modems), LAN-on-Motherboard (LOM), hub and Switches.
2. Meets IEEE 802.3 specification
3. Connector Materials:  
 Housing: Thermoplastic PBT+30%G. F UL94V-0  
 Contact: Phosphor Bronze C5210R-EH Thickness=0.35mm  
 Pins: Brass C2680R-H Thickness=0.35mm  
 Shield: SUS 201-1/2H Thickness=0.2mm  
 Contact plating: Gold 6 micro-inches min. In contact area.
4. Wave solder tip temperature: 265°C Max, 5 Sec.
5. UL Certification: File Number E321120.

X:X ±0.25	APPD:	<b>Trxcom</b> Huizhou Trxcom Electronics Co., Ltd.
X:XX ±0.20	CHKD:	
X:XXX ±0.05	DR: SEA	TITLE: RJ45 Connector with 10/100 Base-T Integrated Magnetics
ANGLES ±1°	UNIT: mm	PART NO.: TRJ1011AHNL
	SCALE: 2/1	SHEET: 1/4
	REV: A	DWG NO.: TRC15012861

# Schematic:

REV.	ECN NO.	DESCRIPTION	DATE	APPD
A	REL		2015-06-02	

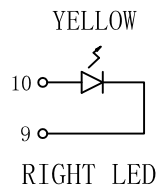
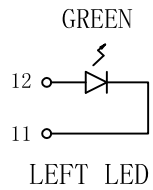
PC BOARD CONNECTIONS



RJ45 CONNECTOR

## ELECTRICAL SPECIFICATIONS @25°C

- Turn Ratio( $\pm 3\%$ ):  
TX=1CT:1CT      RX=1CT:1CT
- Inductance OCL:  
350uH Min @ 100KHz 0.1V 8mA DC Bias
- DCR: 1.2  $\Omega$  Max
- Insertion Loss:  
-1.0dB Max @1-100MHz
- Return Loss:  
-18dB Min @1-30MHz  
-15dB Min @30-60MHz  
-12dB Min @60-100MHz
- Cross talk:  
-40dB Min @30MHz  
-35dB Min @60MHz  
-30dB Min @100MHz
- Common Mode Rejection:  
-30dB Min @1-50MHz  
-20dB Min @50-150MHz
- Operating Voltage: 3.3-5V Max  
Current: 350mA.
- Hipot Test: 1500Vrms
- Operating Temperature Range: 0°C to 70°C.



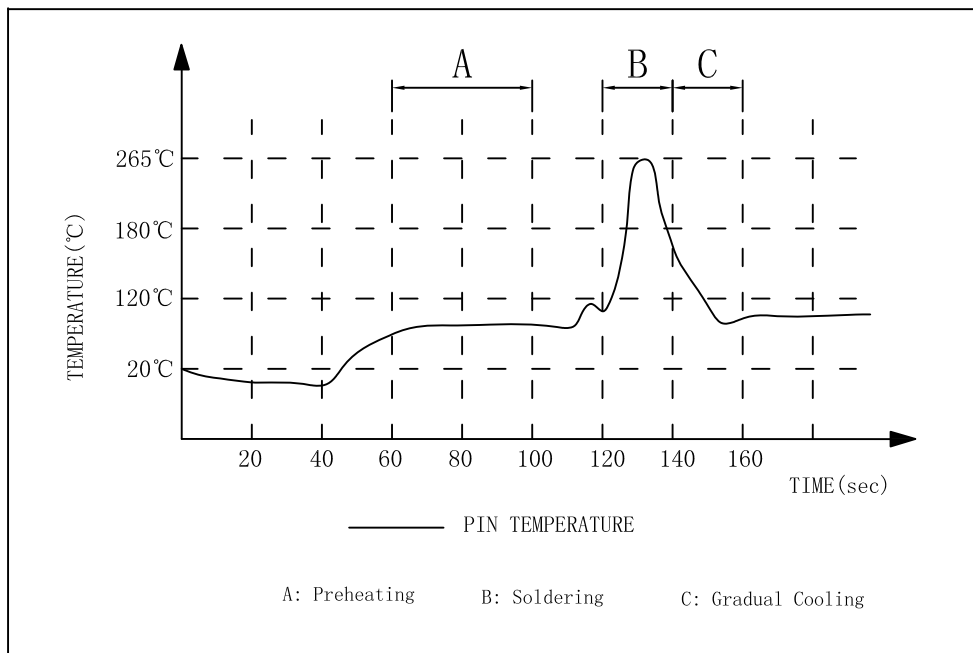
Emitting Color	$\lambda_p$ (nm)	V <sub>F</sub> @I <sub>F</sub> =20mA	I <sub>R</sub> @V <sub>R</sub> =5V
GREEN	565	1.8~2.6V	10 $\mu$ A max
YELLOW	585	1.8~2.6V	10 $\mu$ A max

X:X	$\pm 0.25$	APPD:	<b>Trxcom</b>
X:XX	$\pm 0.20$	CHKD:	
X:XXX	$\pm 0.05$	DR: SEA	TITLE: RJ45 Connector with 10/100 Base-T Integrated Magnetics
ANGLES	$\pm 1^\circ$	UNIT: mm	PART NO.: TRJ1011AHNL
	SCALE: 2/1	SHEET: 2/4	REV: A
			DWG NO.: TRC15012861

# Profile of wave solder:

REV.	ECN NO.	DESCRIPTION	DATE	APPD
A	REL		2015-06-02	

## SUGGESTED PROFILE OF WAVE SOLDER FOR ROHS PRODUCT

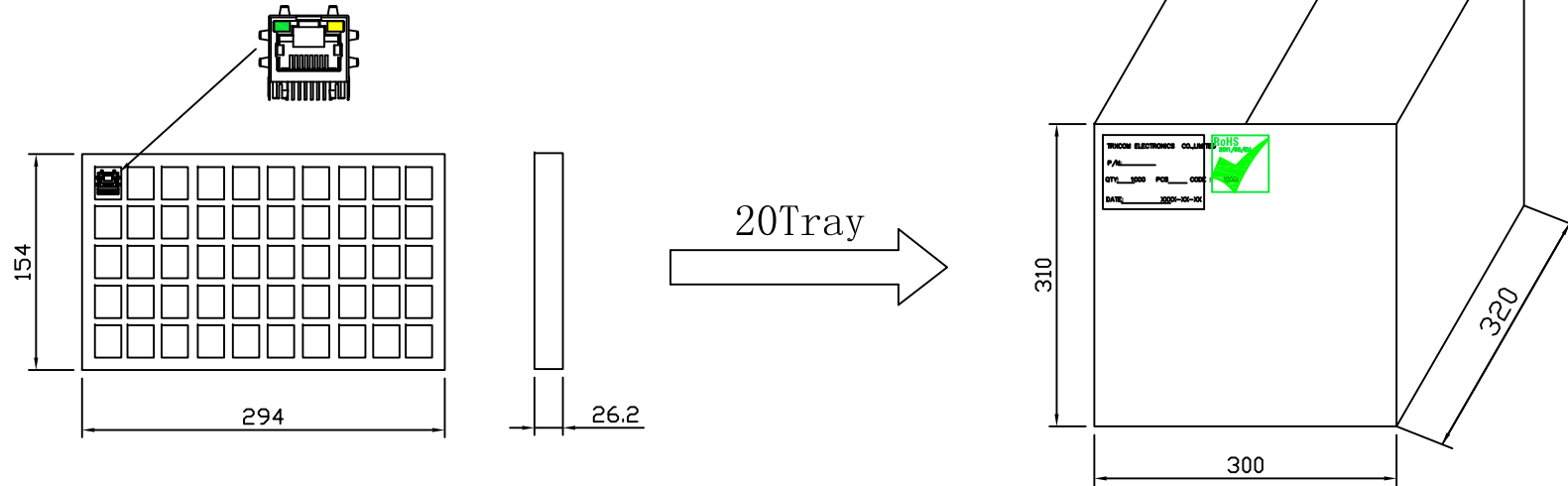


- (1) Tip Temperature: 265°C max
  - (2) Tip Temperature time: 5sec max
- Note: The melting point of Tin: 219°C

X:X	±0.25	APPD:	<b>Trxcom</b> Huizhou Trxcom Electronics Co.,Ltd.		
X:XX	±0.20	CHKD:			
X:XXX	±0.05	DR: SEA	TITLE: RJ45 Connector with 10/100 Base-T Integrated Magnetics		
ANGLES	±1°	UNIT: mm	PART NO.: TRJ1011AHNL		
		SCALE: 2/1	SHEET: 3/4	REV: A	DWG NO.: TRC15012861

Packaging:

REV.	ECN NO.	DESCRIPTION	DATE	APPD
A	REL		2015-06-02	



- ◆ Packaging unit :50pcs/tray
- ◆ Packaging material:PVC
- ◆ Outer carton unit:1000pcs/20tray/box
- ◆ Net Weight:7kg
- ◆ Gross Weight:9kg

X:X	±0.25	APPD:	<b>Trxcom</b> Huizhou Trxcom Electronics Co.,Ltd.
X:XX	±0.20	CHKD:	
X:XXX	±0.05	DR: SEA	TITLE: 1*1 25.4 RJ45 PACKING
ANGLES	±1°	UNIT: mm	PART NO.: TRJ1011AHNL
		SCALE: 2/1	SHEET: 4/4
		REV: A	DWG NO.: TRC15012861