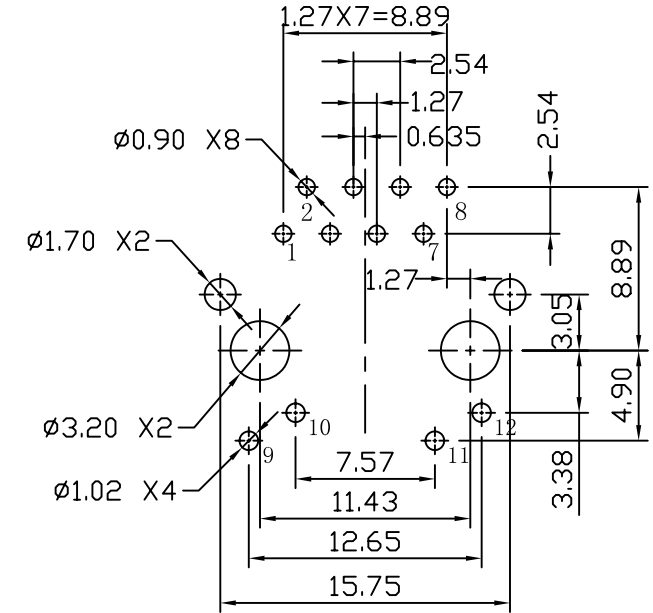
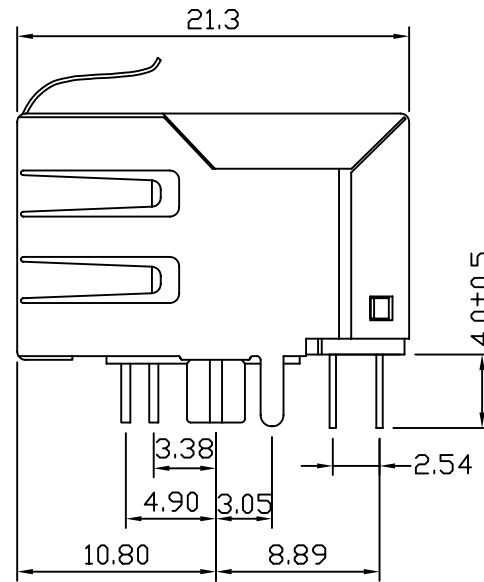
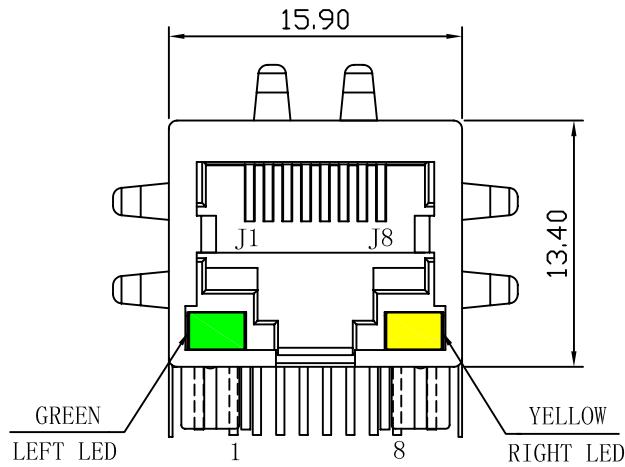
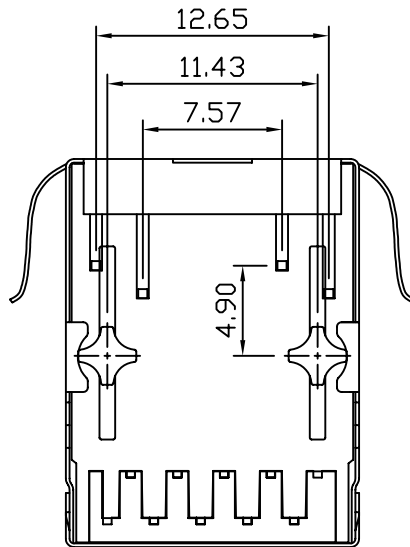


Mechanical:

REV.	ECN NO.	DESCRIPTION	DATE	APPD
A	REL		05/03/2010	



SUGGESTED PCB LAYOUT (TOP VIEW)



NOTES:

1. Designed to support application, such as SOHO (ADSL modems), LAN-on-Motherboard (LOM), hub and Switches.
2. Meets IEEE 802.3 specification
3. Connector Materials:
Housing: Thermoplastic UL94V-0
Contact/Shield: Copper alloy
Shield plating: Nickel
Contact plating: Gold 6 micro-inches min. In contact area.
4. Wave solder tip temperature: 265°C Max
Wave solder tip temperature time: 5 Sec Max
5. UL Certification: File Number E321120

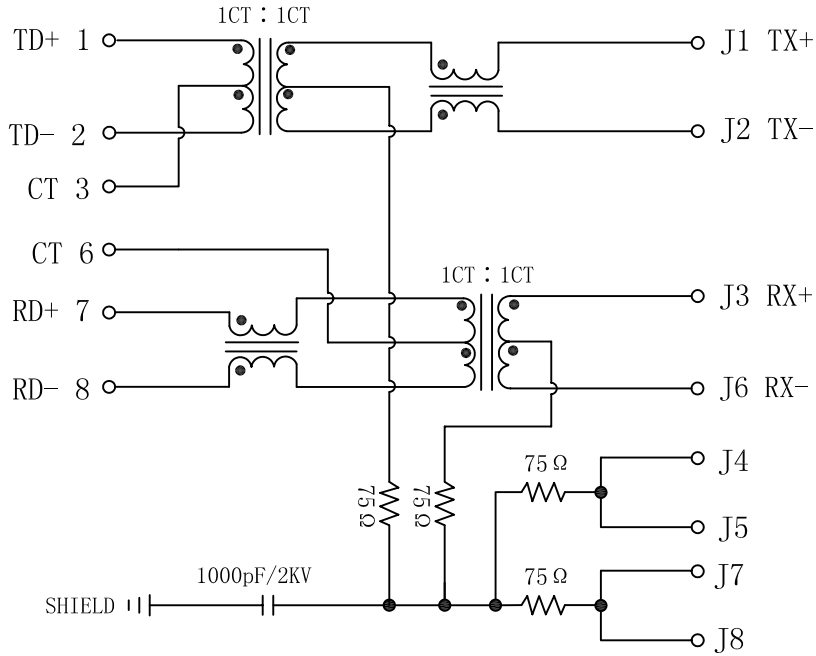


X:X	±0.25	APPD:	Trxcom	
X:XX	±0.20	CHKD:	ShenZhen Trxcom Electronics Co., ltd	
X:XXX	±0.05	DR: C. H. Y	TITLE: RJ45 Connector with 10/100 Base-T Integrated Magnetics	
ANGLES	±1°	UNIT: mm	PART NO.: TRJ0126ABNL	
	SCALE: 2/1	SHEET: 1/2	REV: A	DWG NO.: TRC10072703

Schematic:

REV.	ECN NO.	DESCRIPTION	DATE	APPD
A	REL		05/03/2010	

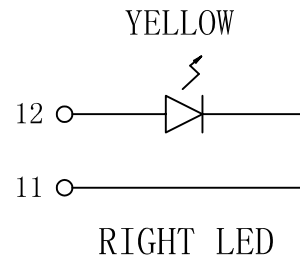
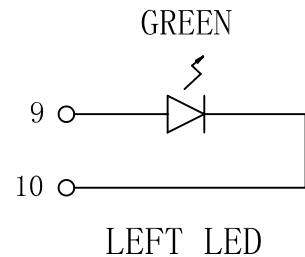
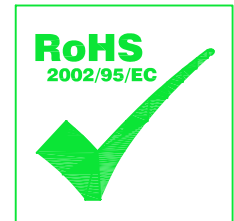
PCB SIDE TO PHY



CABLE SIDE

Electrical Specifications @25°C

- Turns Ratio:
TX=1CT:1CT RX=1CT:1CT
- Inductance OCL: 350uH Min
@100KHz, 0.1V, 8mA
- Insertion Loss:
1-65MHz:-1.0dB Max
- Return Loss (dB Min):
1-30MHz:-18; 40MHz:-16;
50MHz:-12; 60MHz:-10
- Crosstalk (dB Min):
30MHz:-40; 60MHz:-35;
100MHz:-30.
- CMR: (dB Min):
30MHz:-30; 60MHz:-20;
100MHz:-20
- Hipot: 1500Vrms
- Operating Temperature: 0°C-70°C.



X:X	±0.25	APPD:	Trxcom	
X:XX	±0.20	CHKD:	ShenZhen Trxcom Electronics Co.,ltd	
X:XXX	±0.05	DR: C. H. Y	TITLE: RJ45 Connector with 10/100 Base-T Integrated Magnetics	
ANGLES	±1°	UNIT: mm	PART NO.: TRJ0126ABNL	
	SCALE: 2/1	SHEET: 2/2	REV: A	DWG NO.: TRC10072703