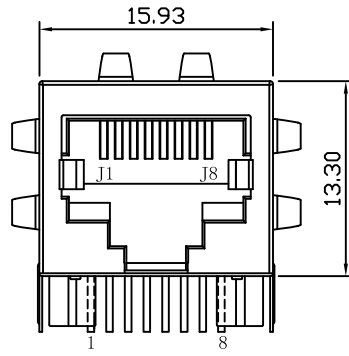
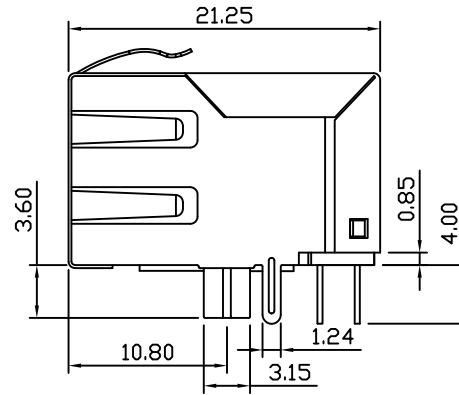


Mechanical:

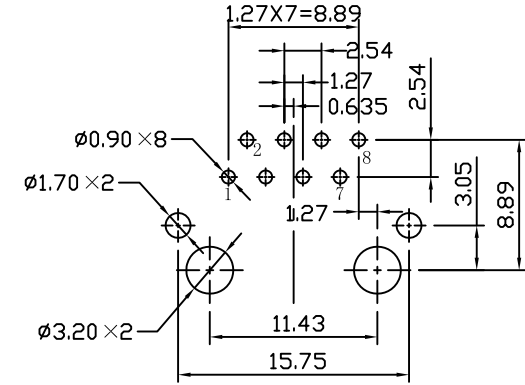
REV.	ECN NO.	DESCRIPTION	DATE	APPD
A	REL		2014-10-29	



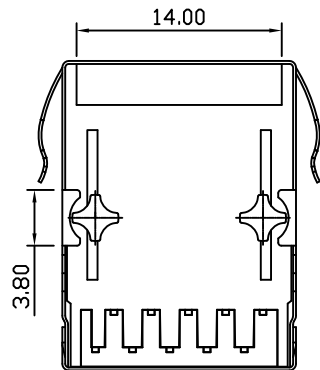
Front Side View



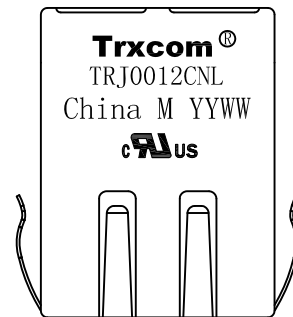
Left Side View



Suggested PCB Layout(Top View)



Bottom Side View



Top Side View

NOTES:

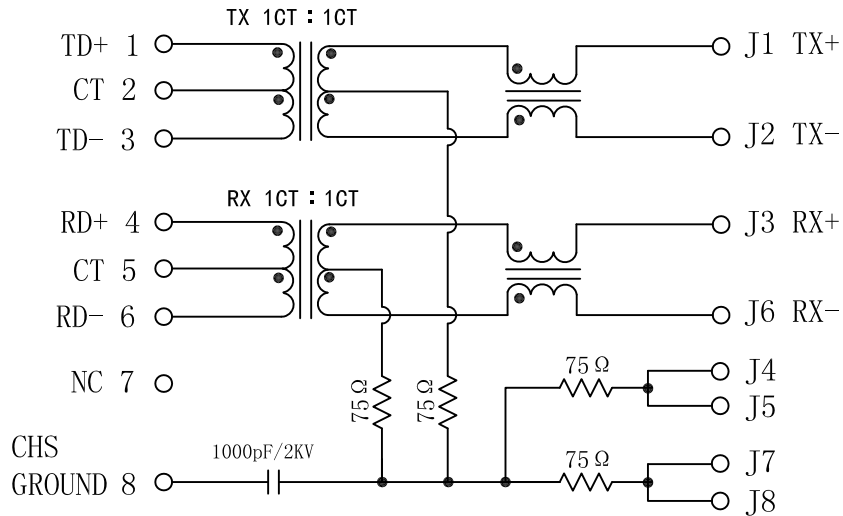
1. Designed to support application, such as SOHO (ADSL modems), LAN-on-Motherboard (LOM), hub and Switches.
2. Meets IEEE 802.3 specification
3. Connector Materials:
 Housing: Thermoplastic PBT+30%G.F UL94V-0
 Contact: Phosphor Bronze C5210R-EH Thickness=0.35mm
 Pins: Brass C2680R-H Thickness=0.35mm
 Shield: SUS 201-1/2H Thickness=0.2mm
 Contact plating: Gold 6 micro-inches min. In contact area.
4. Wave solder tip temperature: 265°C Max, 5 Sec.
5. UL Certification: File Number E321120

X:X ±0.30	APPD:	Trxcom Huizhou Trxcom Electronics Co.,Ltd.
X:XX ±0.25	CHKD:	
X:XXX ±0.05	DR: SEA	TITLE: RJ45 Connector with 10/100 Base-T Integrated Magnetics
ANGLES ±1°	UNIT: mm	PART NO.: TRJ0012CNL
	SCALE: 2/1	SHEET: 1/4
	REV: A	DWG NO.: TRC14102918

Schematic:

REV.	ECN NO.	DESCRIPTION	DATE	APPD
A	REL		2014-10-29	

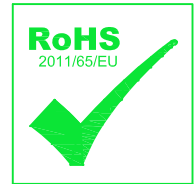
PCB SIDE TO PHY



CABLE SIDE

ELECTRICAL SPECIFICATIONS @25°C

- Turn Ratio($\pm 2\%$):
TX=1CT : 1CT RX=1CT : 1CT
- Inductance OCL: 350uH MIN
@100KHz/0.1V 8mA DC Bias
- Insertion Loss:
-1.0dB MAX @1~100MHz
- Return Loss:
-18dB MIN @1~30MHz
-15dB MIN @30~60MHz
-12dB MIN @60~80MHz
-10dB MIN @80~100MHz
- Cross talk:
-40dB MIN @30MHz
-35dB MIN @60MHz
-30dB MIN @100MHz
- Common Mode Rejection:
-40dB MIN @30MHz
-35dB MIN @60MHz
-30dB MIN @100MHz
- Operating Voltage: 3.3-5V.
Current: 350mA.
- Hipot Test: 1500Vrms
- Operating Temperature Range: 0°C~70°C.

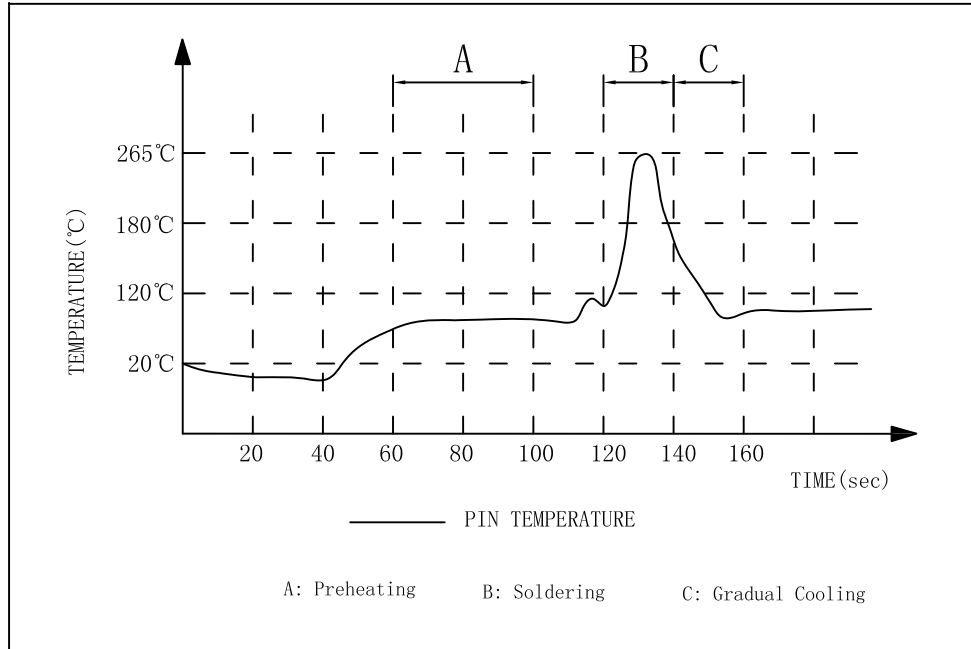


X:X	± 0.30	APPD:	Trxcom Huizhou Trxcom Electronics Co.,Ltd.	
X:XX	± 0.25	CHKD:		
X:XXX	± 0.05	DR: SEA	TITLE: RJ45 Connector with 10/100 Base-T Integrated Magnetics	
ANGLES	$\pm 1^\circ$	UNIT: mm	PART NO.: TRJ0012CNL	
	SCALE: 2/1	SHEET: 2/4	REV: A	DWG NO.: TRC14102918

REV.	ECN NO.	DESCRIPTION	DATE	APPD
A	REL		2014-10-29	

SUGGESTED PROFILE OF WAVE SOLDER FOR ROHS PRODUCT

REV: A
 TEMP(°C): 25
 HUM(%): 65 RH

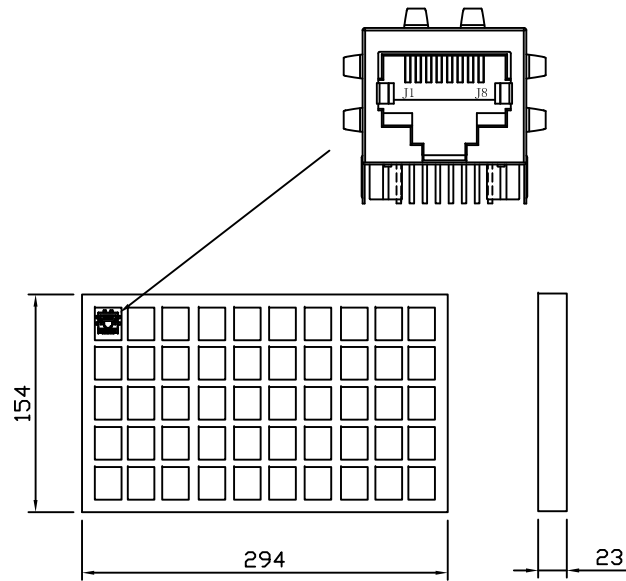


- (1) Tip Temperature: 265°C max
 - (2) Tip Temperature time: 5sec max
- Note: The melting point of Tin: 219°C

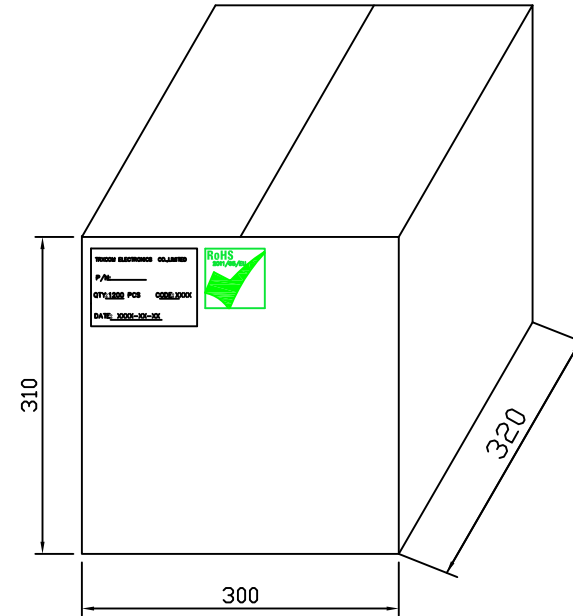
X:X ±0.30	APPD:	Trxcom Huizhou Trxcom Electronics Co.,Ltd.
X:XX ±0.25	CHKD:	
X:XXX ±0.05	DR: SEA	TITLE: RJ45 Connector with 10/100 Base-T Integrated Magnetics
ANGLES ±1°	UNIT: mm	PART NO.: TRJ0012CNL
	SCALE: 2/1	SHEET: 3/4
	REV: A	DWG NO.: TRC14102918

Packaging:

REV.	ECN NO.	DESCRIPTION	DATE	APPD
A	REL		2014-10-29	



24Tray →



- ◆ Packaging unit: 50pcs/tray
- ◆ Packaging material: PVC
- ◆ Outer carton unit: 1200pcs/24tray/box
- ◆ Net Weight: 8kg
- ◆ Gross Weight: 10kg

X:X ±0.30	APPD:	Trxcom Huizhou Trxcom Electronics Co.,Ltd.
X:XX ±0.25	CHKD:	
X:XXX ±0.05	DR: SEA	TITLE: 1*1 21.25mm RJ45 Packing
ANGLES ±1°	UNIT: mm	PART NO.: TRJ0012CNL
	SCALE: 2/1	SHEET: 4/4
	REV: A	DWG NO.: TRC14102918