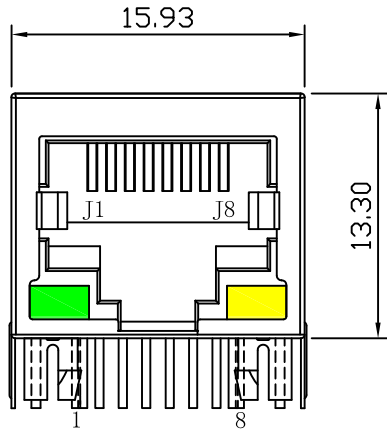
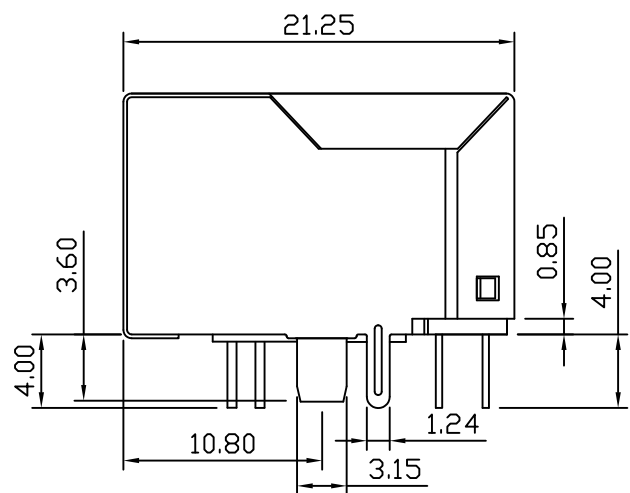


Mechanical:

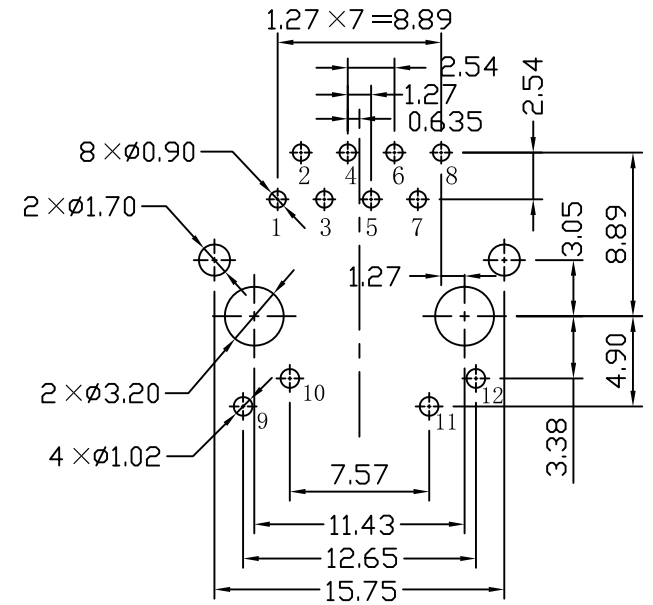
REV.	ECN NO.	DESCRIPTION	DATE	APPD
A	REL		2016/04/26	



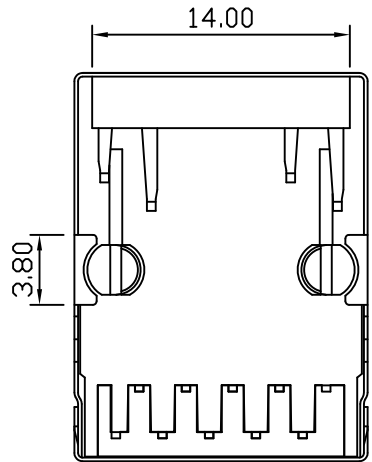
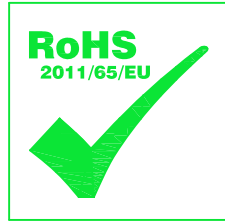
Front Side View



Left Side View



Suggested PCB Layout (Top View)



Bottom Side View



Top Side View

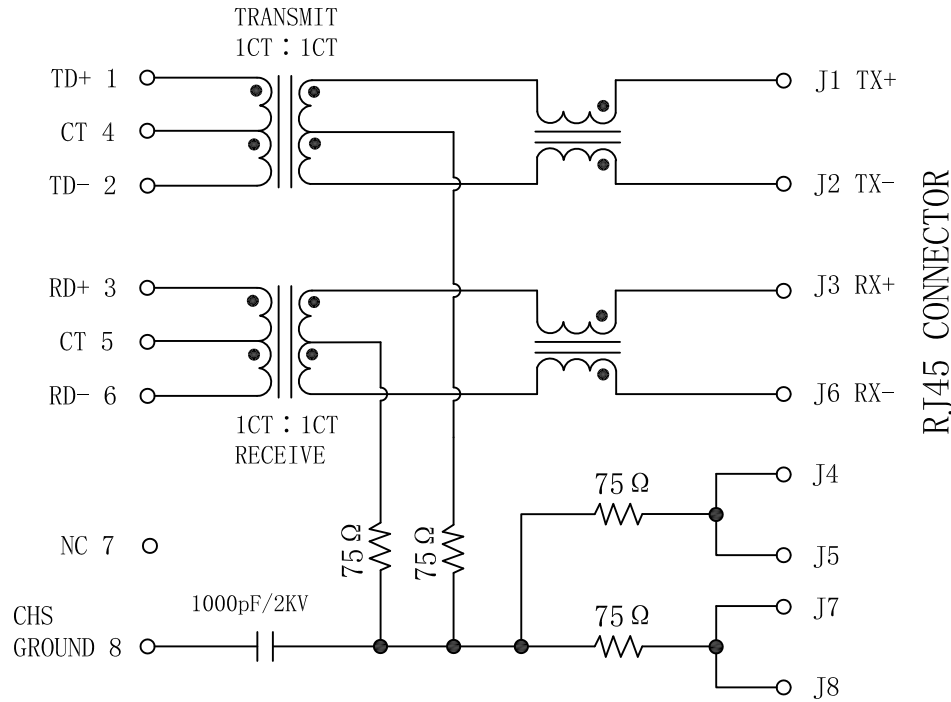
- NOTES:
1. Designed to support application, such as SOHO (ADSL modems), LAN-on-Motherboard (LOM), hub and Switches.
 2. Meets IEEE 802.3 specification
 3. Connector Materials:
 Housing: Thermoplastic PBT+30%G. F UL94V-0
 Contact: Phosphor Bronze C5210R-EH Thickness=0.35mm
 Pins: Brass C2680R-H Thickness=0.35mm
 Shield: SUS 201-1/2H Thickness=0.2mm
 Contact plating: Gold 6 micro-inches min. In contact area.
 4. Wave solder tip temperature: 265°C Max, 5 Sec Max
 5. UL Certification: File Number E321120.

X:X ±0.25	APPD:	Trxcom Huizhou Trxcom Electronics Co., ltd
X:XX ±0.20	CHKD:	
X:XXX ±0.05	DR: SEA	TITLE: RJ45 Connector with 10/100 Base-T Integrated Magnetics
ANGLES ±1°	UNIT: mm	PART NO.: TRJ0011TBNL
	SCALE: 2/1	SHEET: 1/4
	REV: A	DWG NO.: TRC16042601

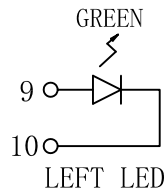
Schematic:

REV.	ECN NO.	DESCRIPTION	DATE	APPD
A	REL		2016/04/26	

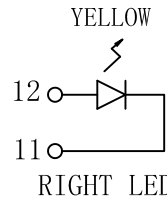
PC BOARD CONNECTIONS



RJ45 CONNECTOR



LEFT LED



RIGHT LED

Emitting Color	λ p(nm)	V _F @I _F =20mA	I _R @V _R =5V
GREEN	565	1.8~2.6V	10 μ A max
YELLOW	585	1.8~2.6V	10 μ A max

ELECTRICAL SPECIFICATIONS @25°C

- Turn Ratio($\pm 2\%$):
TX=1CT : 1CT RX=1CT : 1CT
- Inductance OCL: 350uH MIN
@100KHz 0.1V 8mA DC Bias
- Insertion Loss:
-1.0dB MAX @ 1.0-100MHz
- Return Loss:
-18dB MIN @ 1-30MHz
-15dB MIN @ 30-60MHz
-12dB MIN @ 60-80MHz
-10dB MIN @ 80-100MHz
- Cross talk:
-40dB MIN @ 30MHz
-35dB MIN @ 60MHz
-30dB MIN @ 100MHz
- Common Mode Rejection:
-40dB MIN @ 30MHz
-35dB MIN @ 60MHz
-30dB MIN @ 100MHz
- Operating Voltage: 3.3-5V Max.
Operating Current: 350mA Max.
- Hipot: 1500Vrms.
- Operating Temperature Range: 0°C TO 70°C.

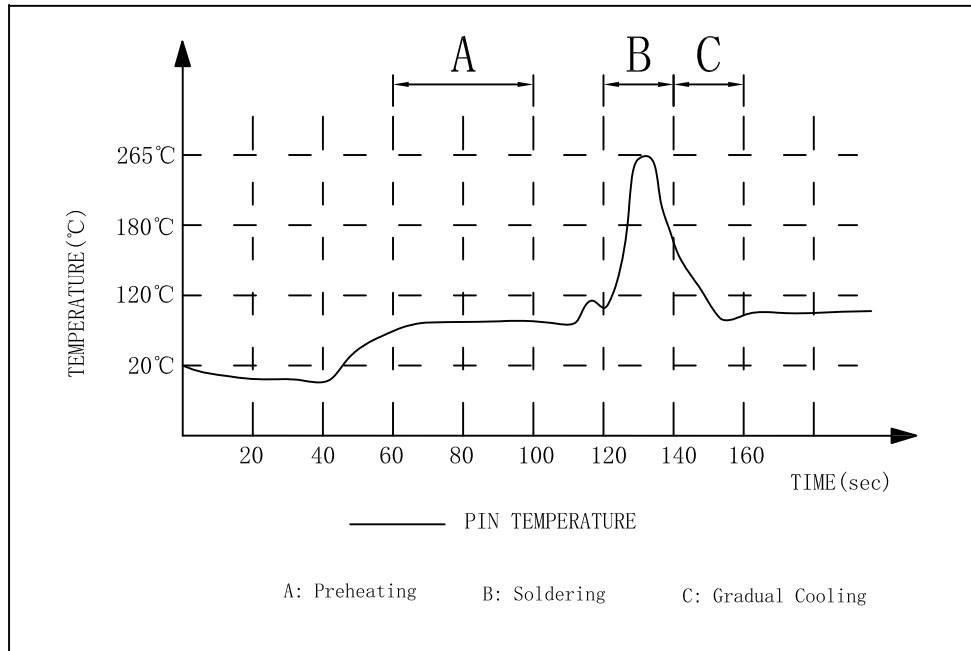


X:X	± 0.25	APPD:	Trxcom Huizhou Trxcom Electronics Co., ltd
X:XX	± 0.20	CHKD:	
X:XXX	± 0.05	DR: SEA	TITLE: RJ45 Connector with 10/100 Base-T Integrated Magnetics
ANGLES	$\pm 1^\circ$	UNIT: mm	PART NO. : TRJ0011TBNL
	SCALE: 2/1	SHEET: 2/4	REV: A DWG NO. : TRC16042601

REV.	ECN NO.	DESCRIPTION	DATE	APPD
A	REL		2016/04/26	

REV: A
 TEMP(°C): 25
 HUM(%): 65 RH

SUGGESTED PROFILE OF WAVE SOLDER FOR ROHS PRODUCT

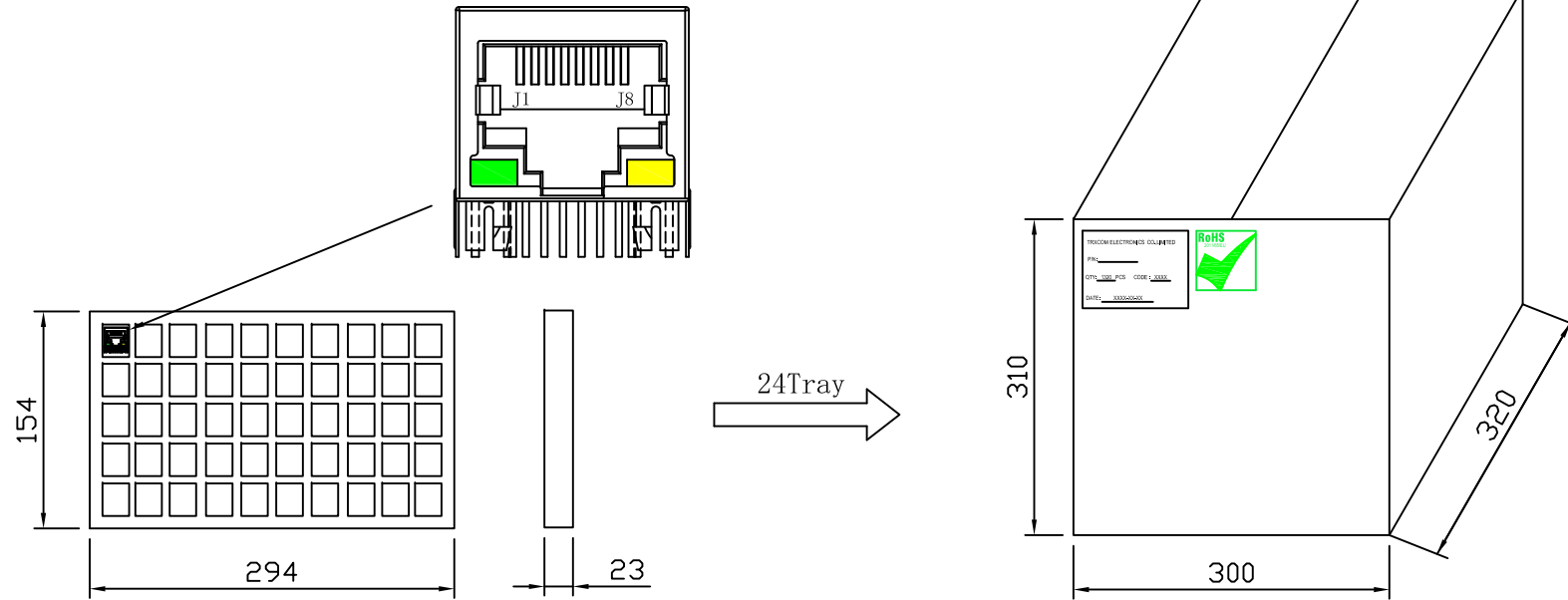


- (1) Tip Temperature: 265°C max
 - (2) Tip Temperature time: 5sec max
- Note: The melting point of Tin: 219°C

X:X ±0.25	APPD:	Trxcom Huizhou Trxcom Electronics Co.,ltd
X:XX ±0.20	CHKD:	
X:XXX ±0.05	DR: SEA	TITLE: RJ45 Connector with 10/100 Base-T Integrated Magnetics
ANGLES ±1°	UNIT: mm	PART NO.: TRJ0011TBNL
	SCALE: 2/1	SHEET: 3/4
	REV: A	DWG NO.: TRC16042601

Packaging:

REV.	ECN NO.	DESCRIPTION	DATE	APPD
A	REL		2016/04/26	



- ◆ Packaging unit :50pcs/tray
- ◆ Packaging material:PVC
- ◆ Outer carton unit:1200pcs/24tray/box
- ◆ Net Weight:8kg
- ◆ Gross Weight:10kg

X:X	±0.25	APPD:	Trxcom Huizhou Trxcom Electronics Co.,ltd		
X:XX	±0.20	CHKD:			
X:XXX	±0.05	DR: SEA	TITLE: 1*1 21.3 RJ45 PACKING		
ANGLES	±1°	UNIT: mm	PART NO. : TRJ0011TBNL		
		SCALE: 2/1	SHEET: 4/4	REV: A	DWG NO. : TRC16042601