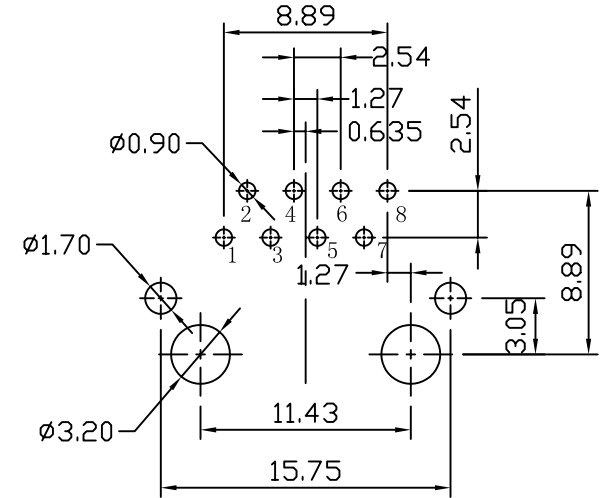
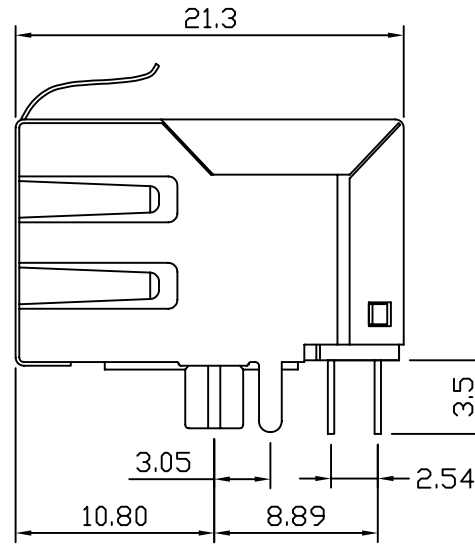
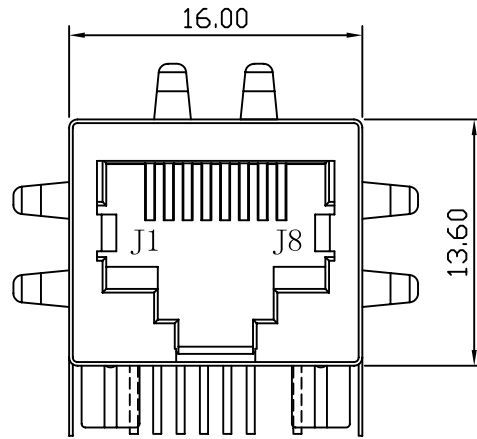
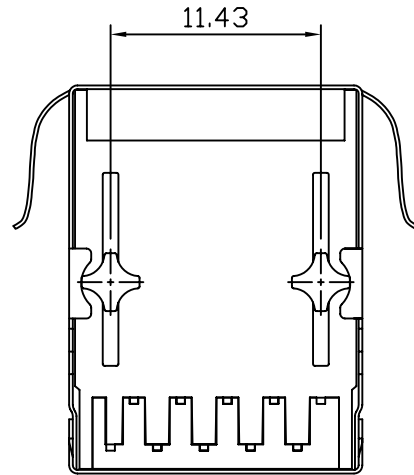


Mechanical:

REV.	ECN NO.	DESCRIPTION	DATE	APPD
A	REL		20/06/2008	



SUGGESTED PCB LAYOUT (TOP VIEW)



NOTES:

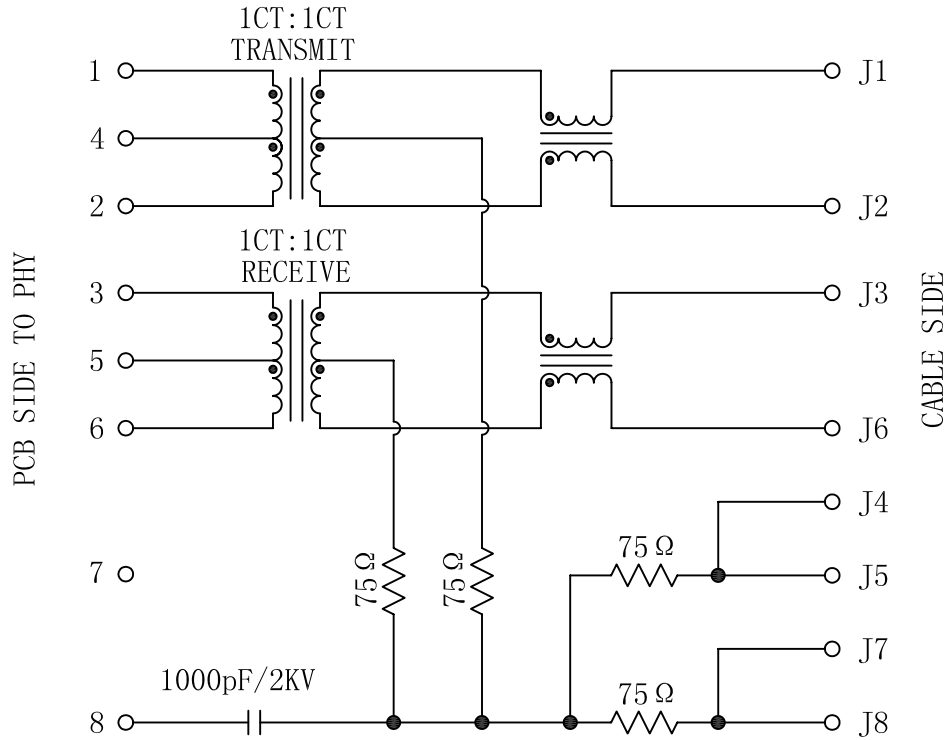
1. Designed to support application, such as SOHO (ADSL modems), LAN-on-Motherboard (LOM), hub and Switches.
2. Meets IEEE 802.3 specification
3. Connector Materials:  
 Housing: Thermoplastic UL94V-0  
 Contact/Shield: Copper alloy  
 Shield plating: Nickel  
 Contact plating: Gold 6 micro-inches min. In contact area.
4. Wave solder tip temperature: 265°C Max  
 Wave solder tip temperature time: 5 Sec Max
5. UL Certification: File Number E321120



X:X ±0.30	APPD:	Trxcom TRXCOM INT'L TECHNOLOGY CO. LTD.
X:XX ±0.20	CHKD:	
X:XXX ±0.05	DR: C. H. Y	TITLE: RJ45 Connector with 10/100 Base-TX Integrated Magnetics Series TRJ0
ANGLES ±1°	UNIT: mm	PART NO.: TRJ0011CNL
	SCALE: 2/1	SHEET: 1/2
	REV: A	DWG NO.: TRC07103005

Schematic:

REV.	ECN NO.	DESCRIPTION	DATE	APPD
A	REL		20/06/2008	



ELECTRICAL SPECIFICATIONS @25°C

- Turn Ratio ( $\pm 2\%$ ):  
TX=1CT:1CT      RX=1CT:1CT
- Inductance OCL:  
350uH MIN@100KHz/0.1V, 8mA DC Bias
- Insertion Loss:  
-1.0dB MAX @ 1.0-65MHz
- Return Loss:  
-20dB MIN @ 1-10MHz  
-16dB MIN @ 10-30MHz  
-12dB MIN @ 30-60MHz  
-10dB MIN @ 60-100MHz
- Cross talk:  
-40dB MIN @ 1-30MHz  
-35dB MIN @ 30-60MHz  
-30dB MIN @ 60-100MHz
- Common Mode Rejection:  
-30dB MIN @ 1-50MHz  
-20dB MIN @ 50-150MHz
- Hipot Test: 1500Vrms MIN
- Operating Temperature: 0°C TO 70°C.
- Operating voltage: 3.3-5V  
Current: 350mA



X:X	$\pm 0.30$	APPD:	Trxcom	
X:XX	$\pm 0.20$	CHKD:	<b>TRXCOM INT'L TECHNOLOGY CO. LTD.</b>	
X:XXX	$\pm 0.05$	DR: C. H. Y	TITLE: RJ45 Connector with 10/100 Base-TX Integrated Magnetics Series TRJ0	
ANGLES	$\pm 1^\circ$	UNIT: mm	PART NO.: TRJ0011CNL	
	SCALE: 2/1	SHEET: 2/2	REV: A	DWG NO.: TRC07103005