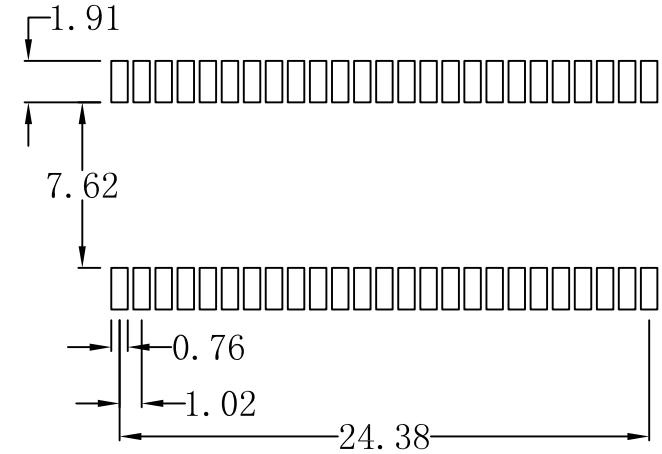
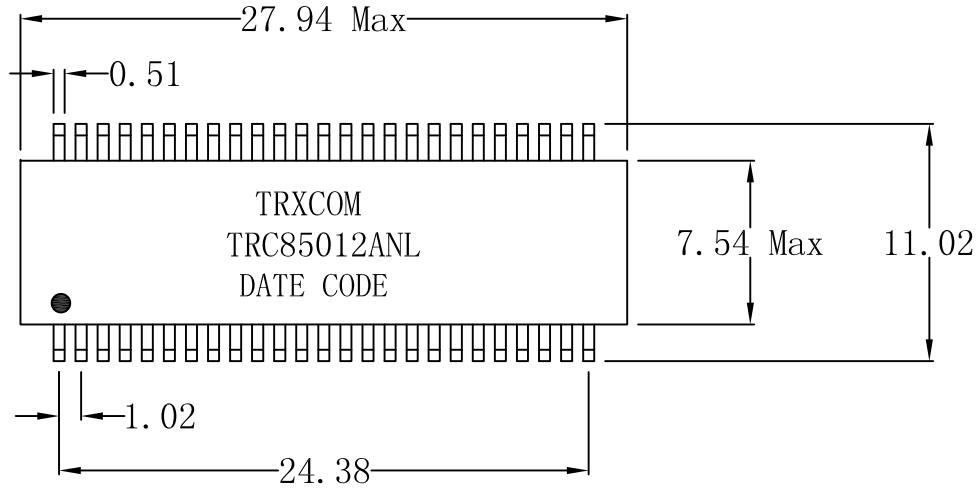
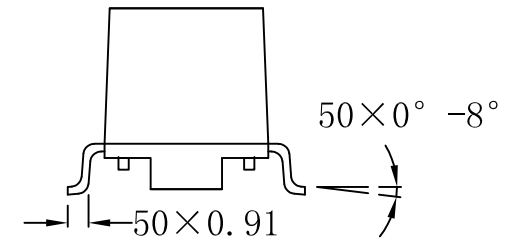
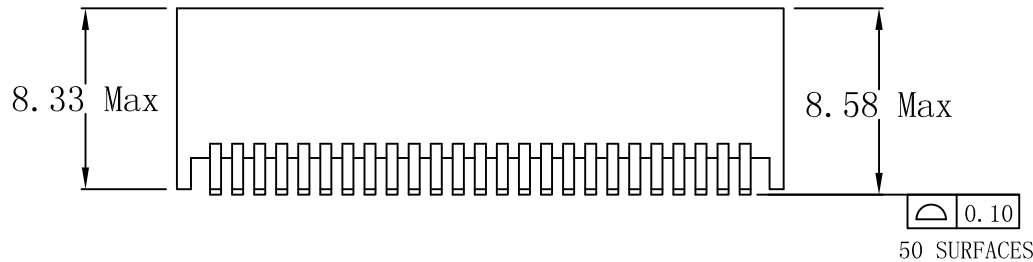


Mechanical:

REV.	ECN NO.	DESCRIPTION	DATE	APPD
A	REL		2023-02-02	



SUGGESTED PAD LAYOUT



NOTES:

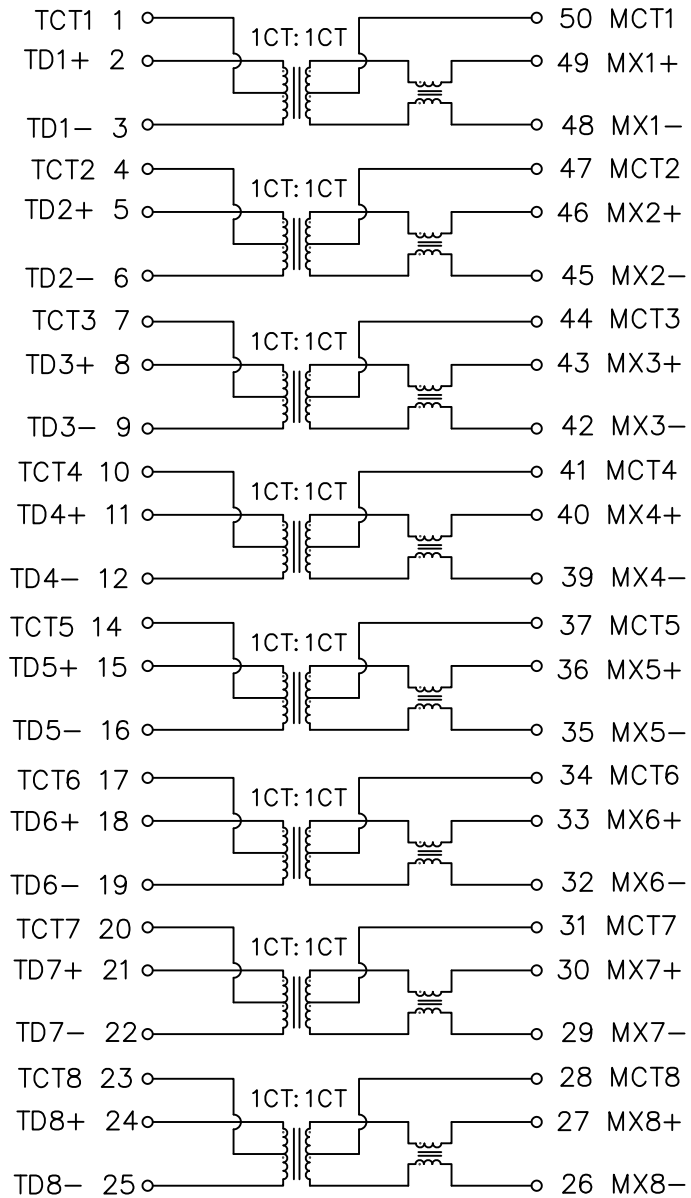
1. Designed to support application, such as SOHO (ADSL modems), LAN-on-Motherboard (LOM), hub and Switches.
2. Meets IEEE 802.3at specification.
3. Power over Ethernet (PoE) Magnetics, 720mA current capability
4. Maximum reflow temperature is 250°C, 5 Sec.
5. UL certification: file number E321120.

Dimensions: mm

Unless otherwise specified, all tolerances are  $\pm 0.25$

X:X	APPD:	<b>Trxcom</b>		
X:XX $\pm 0.25$	CHKD:	Huizhou Trxcom Electronics Co., Ltd.		
X:XXX	DR: SEA	TITLE: Dual Port 1000Base-T Magnetic Modules For PoE+ Application		
ANGLES $\pm 1^\circ$	UNIT: mm	PART NO.: TRC85012ANL		
	SCALE: 2/1	SHEET: 1/2	REV: A	DWG NO.: TRC23020201

# Schematic:



REV.	ECN NO.	DESCRIPTION	DATE	APPD
A	REL		2023-02-02	

## Electrical Specification @25°C

- Turns Ratio:  
Pri : Sec = 1CT : 1CT ±3%
- OCL: 350uH Min  
@100KHz, 0.1Vrms, 8mADC
- Insertion Loss:  
1-100MHz: -1.1dB Max
- Return Loss(dB Min):  
1-40MHz: -16      40-60MHz: -14  
60-80MHz: -12      80-100MHz: -10
- Crosstalk(dB Min):  
1-30MHz: -40      30-60MHz: -35  
60-100MHz: -30
- Common to Common Mode Rejection:  
1-100MHz: -40dB Min
- Hipot: 1500VDC Min
- Operating Temperature: -40°C ~ +85°C.



X:X	APPD:	<b>Trxcom</b>		
X:XX ±0.25	CHKD:	Huizhou Trxcom Electronics Co., Ltd.		
X:XXX	DR: SEA	TITLE: Dual Port 1000Base-T Magnetic Modules For PoE+ Application		
ANGLES ±1°	UNIT: mm	PART NO.: TRC85012ANL		
	SCALE: 2/1	SHEET: 2/2	REV: A	DWG NO.: TRC23020201