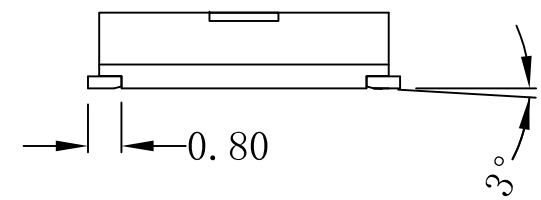
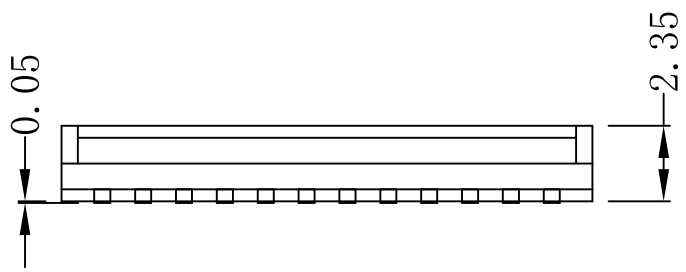
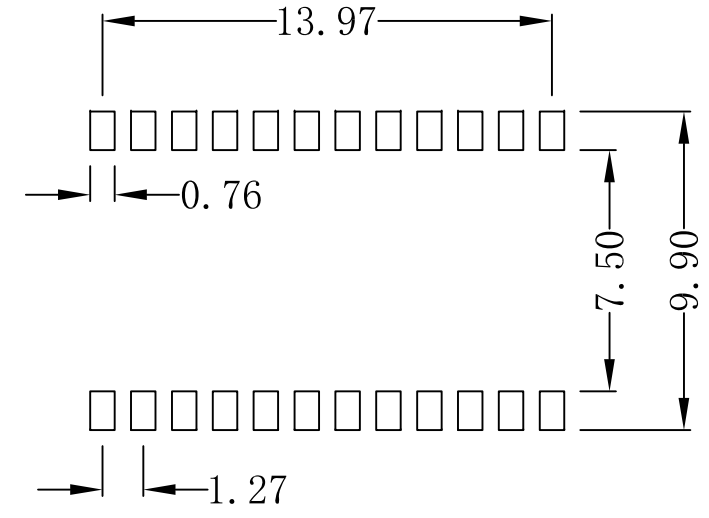
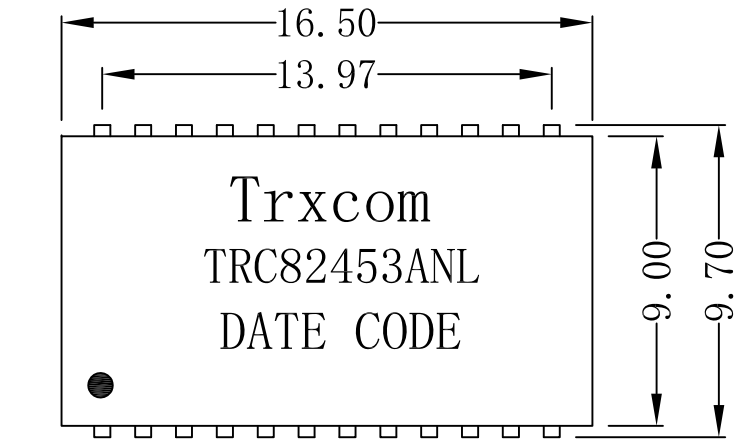


Mechanical:

REV.	ECN NO.	DESCRIPTION	DATE	APPD
B	REL		2015-05-29	



NOTES:

1. Designed to support application, such as SOHO (ADSL modems), LAN-on-Motherboard (LOM), hub and Switches.
2. Meets IEEE 802.3 specification.
3. Maximum reflow temperature is 250°C, 5 Sec.
4. UL certification: file number E321120



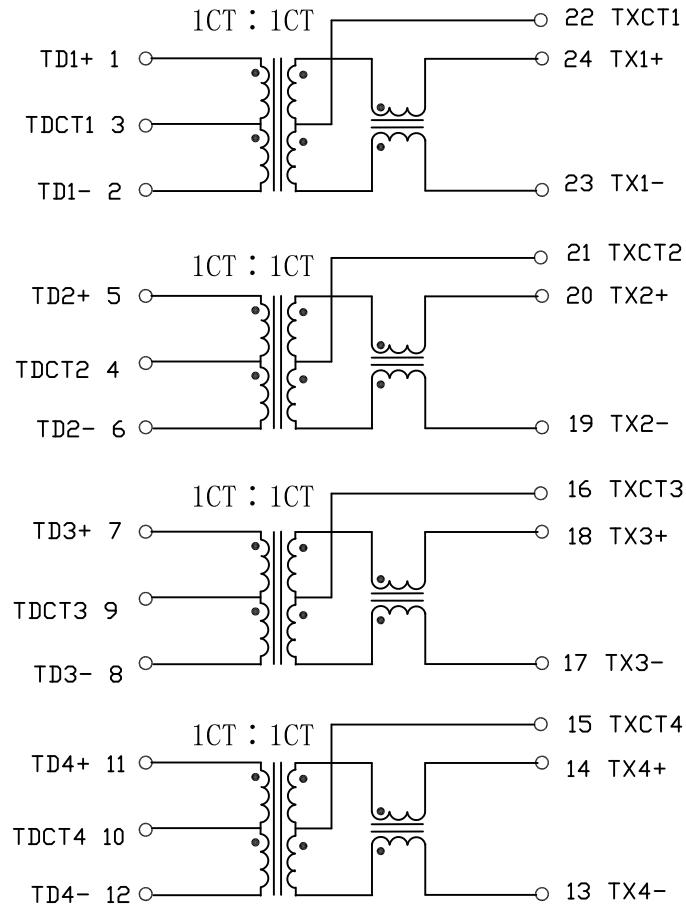
Dimensions: mm

Unless otherwise specified, all tolerances are ± 0.25

X:X	APPD:	Trxcom		
X:XX ± 0.25	CHKD:	Huizhou Trxcom Electronics Co., Ltd.		
X:XXX	DR: SEA	TITLE: 1000Base-T Single port transformer Modules		
ANGLES $\pm 1^\circ$	UNIT: mm	PART NO.: TRC82453ANL		
	SCALE: 2/1	SHEET: 1/2	REV: A	DWG NO.: TRC15052944

Schematic:

REV.	ECN NO.	DESCRIPTION	DATE	APPD
B	REL		2015-05-29	



Electrical Specifications @25°C

- Turns Ratio ($\pm 3\%$):
Pri:Sec = 1CT:1CT
- OCL: 350uH MIN.
@100KHz, 100mV.
- Insertion Loss:
1-100MHz: -1.0dB MAX
- Return Loss (dB MIN @100Ω):
0.3-30MHz: -18 40MHz: -15.5
50MHz: -13.5 60-80MHz: -10
- Crosstalk (dB MIN):
0.3-100MHz: -38
- DCMR (dB MIN):
0.3-60MHz: -33 60-100MHz: -36
- Hipot: 1500Vrms MIN
- Operating Temperature: -55°C ~ +85°C.



X:X	APPD:	Trxcom		
X:XX ±0.25	CHKD:	Huizhou Trxcom Electronics Co., Ltd.		
X:XXX	DR: SEA	TITLE: 1000Base-T Single port transformer Modules		
ANGLES ±1°	UNIT: mm	PART NO.: TRC82453ANL		
	SCALE: 2/1	SHEET: 2/2	REV: A	DWG NO.: TRC15052944