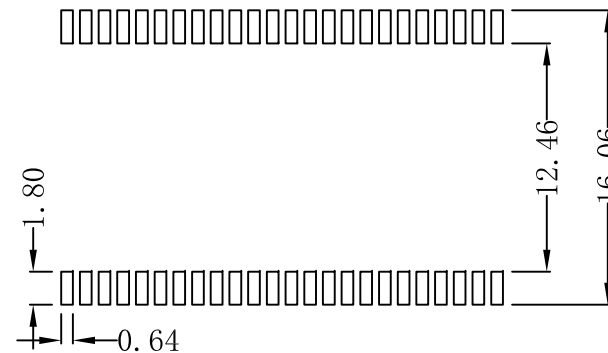
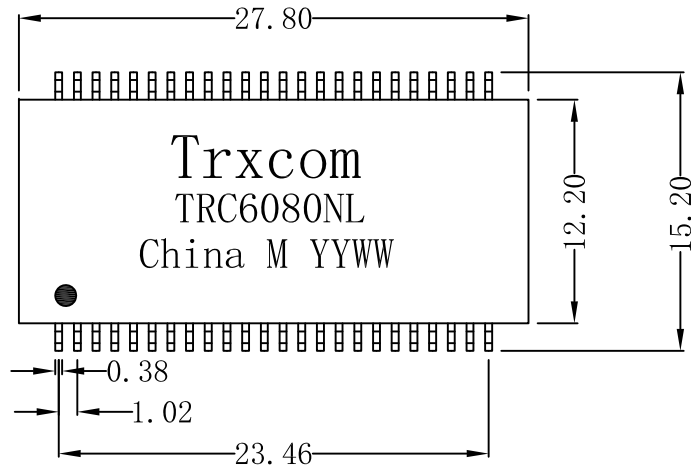
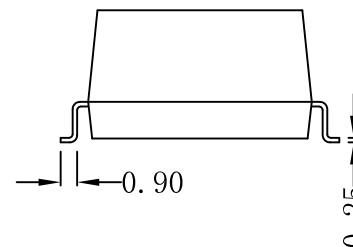
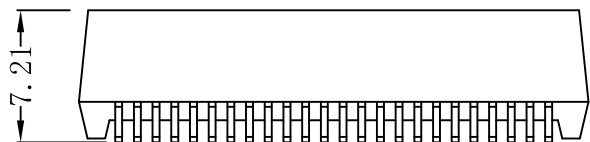


Mechanical:

REV.	ECN NO.	DESCRIPTION	DATE	APPD
A	REL		2015-06-01	



SUGGESTED PAD LAYOUT



NOTES:

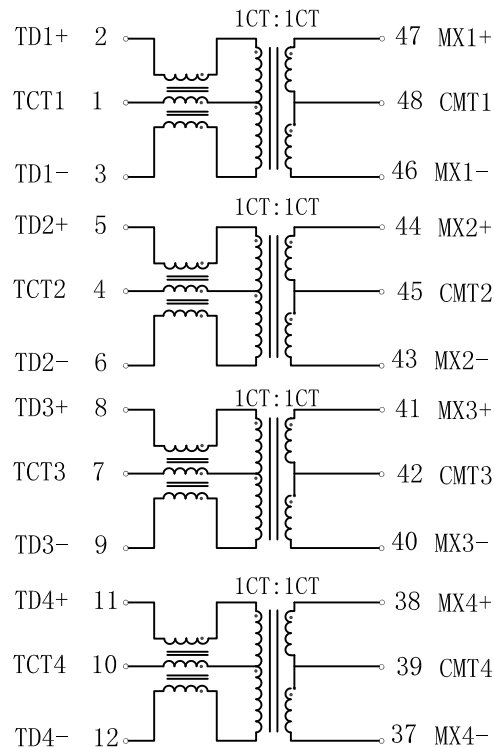
1. Designed to support application, such as SOHO (ADSL modems), LAN-on-Motherboard (LOM), hub and Switches.
2. Meets IEEE 802.3af specification.
3. Maximum reflow temperature is 250°C, 5 Sec.
4. UL certification: file number E321120

X:X	APPD:	Trxcom		
X:XX ±0.20	CHKD:	Huizhou Trxcom Electronics Co., Ltd.		
X:XXX	DR: grant	TITLE: 1000 Base-T Dual Ports Transformer Modules & PoE		
ANGLES ±1°	UNIT: mm	PART NO.: TRC6080NL		
	SCALE: 2/1	SHEET: 1/2	REV: A	DWG NO.: TRC10100805

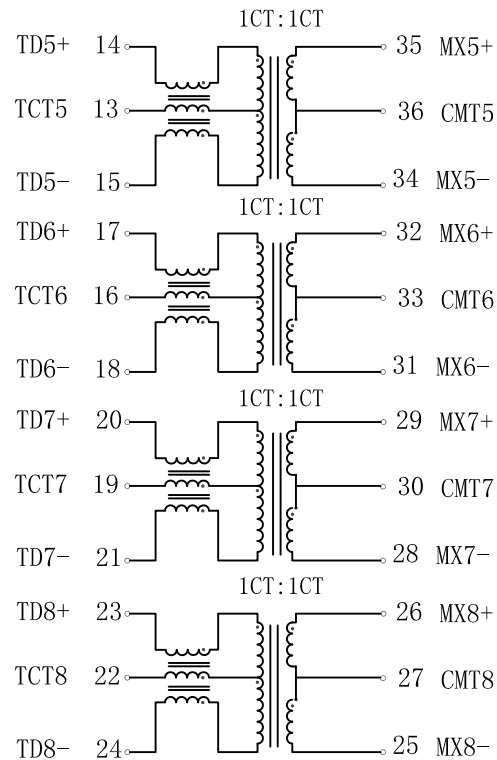
Schematic:

REV.	ECN NO.	DESCRIPTION	DATE	APPD
A	REL		2015-06-01	

Port 1



Port 2



ELECTRICAL SPECIFICATIONS @25°C

- Turn Ratio($\pm 3\%$):
Pri: Sec=1CT:1CT
- Inductance OCL:
350uH MIN @ 100KHz 0.1V 8mA DC Bias
- Insertion Loss:
-1.1dB MAX @ 1-100MHZ
- Return Loss:
-16dB MIN @ 1-30MHZ
-12dB MIN @ 30-60MHZ
-10dB MIN @ 60-100MHZ
- Cross talk:
-40dB MIN @ 1-30MHZ
-35dB MIN @ 30-60MHZ
-30dB MIN @ 60-100MHZ
- Common Mode Rejection:
-30dB MIN @ 1-50MHZ
-20dB MIN @ 50-150MHZ
- Balanced DC Line current:
350mA MAX @ 48VDS Continuous.
- Hipot Test:1500Vrms
- Operating Temperature Range: 0°C TO 70°C
- Rated Power: 20 VA max



X:X	APPD:	Trxcom		
X:XX ±0.20	CHKD:	Huizhou Trxcom Electronics Co.,Ltd.		
X:XXX	DR: grant	TITLE: 1000 Base-T Dual Ports Transformer Modules & PoE		
ANGLES ±1°	UNIT: mm	PART NO.: TRC6080NL		
	SCALE: 2/1	SHEET: 1/2	REV: A	DWG NO.: TRC10100805