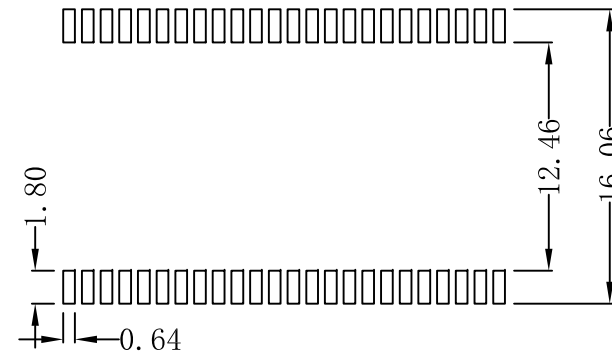
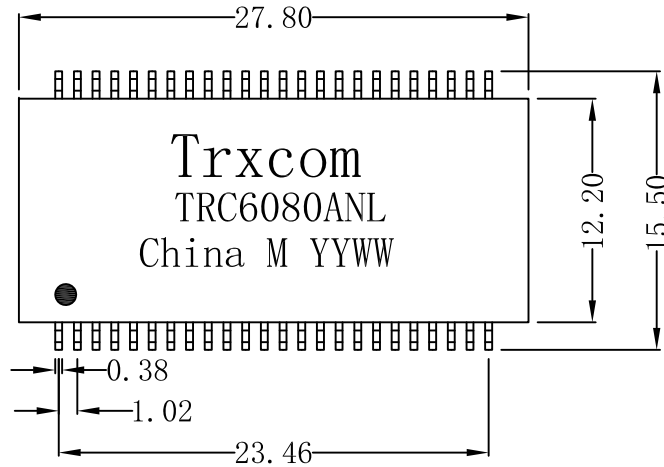
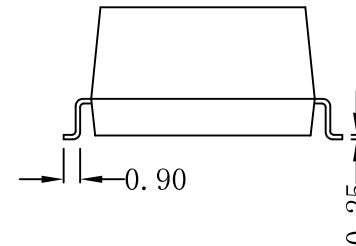
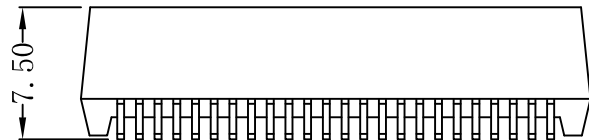


Mechanical:

REV.	ECN NO.	DESCRIPTION	DATE	APPD
A	REL		2015-06-01	



SUGGESTED PAD LAYOUT



NOTES:

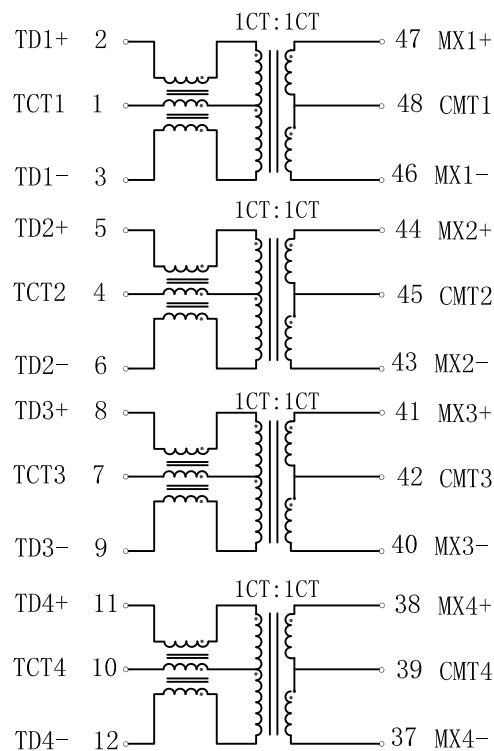
1. Designed to support application, such as SOHO (ADSL modems), LAN-on-Motherboard (LOM), hub and Switches.
2. Meets IEEE 802.3af specification.
3. Maximum reflow temperature is 250°C, 5 Sec.
4. UL certification: file number E321120

X:X	APPD:	Trxcom		
X:XX ±0.25	CHKD:	Huizhou Trxcom Electronics Co., Ltd.		
X:XXX	DR: grant	TITLE: 1000 Base-T Dual Ports Transformer Modules & PoE		
ANGLES ±1°	UNIT: mm	PART NO.: TRC6080ANL		
	SCALE: 2/1	SHEET: 1/2	REV: A	DWG NO.: TRC10100102

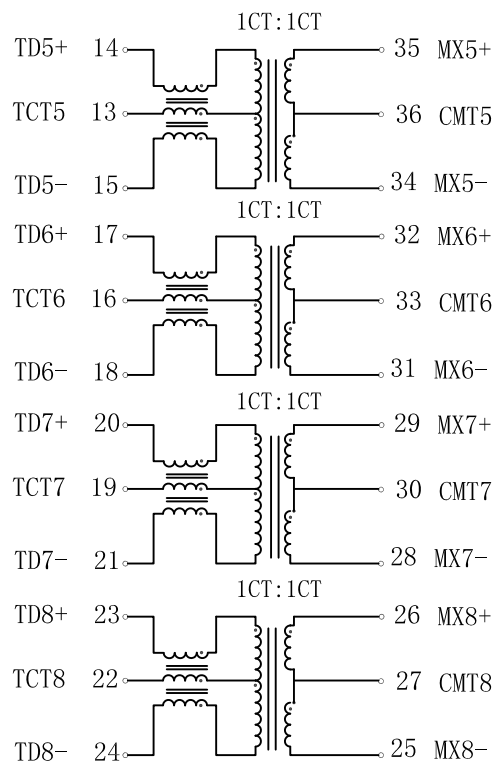
# Schematic:

REV.	ECN NO.	DESCRIPTION	DATE	APPD
A	REL		2015-06-01	

## Port 1



## Port 2



## ELECTRICAL SPECIFICATIONS @25°C

- Turn Ratio( $\pm 3\%$ ):  
Pri: Sec=1CT:1CT
- Inductance OCL:  
350uH MIN @ 100KHz 0.1V 8mA DC Bias
- Insertion Loss:  
-1.1dB MAX @ 1-100MHz
- Return Loss:  
-16dB MIN @ 1-30MHz  
-12dB MIN @ 30-60MHz  
-10dB MIN @ 60-100MHz
- Cross talk:  
-40dB MIN @ 1-30MHz  
-35dB MIN @ 30-60MHz  
-30dB MIN @ 60-100MHz
- Common Mode Rejection:  
-30dB MIN @ 1-50MHz  
-20dB MIN @ 50-150MHz
- Balanced DC Line current:  
350mA MAX @ 48VDS Continuous.
- Hipot Test:1500Vrms
- Operating Temperature Range: -40°C TO +85°C



X:X	APPD:	Trxcom		
X:XX ±0.25	CHKD:	Huizhou Trxcom Electronics Co.,Ltd.		
X:XXX	DR: grant	TITLE: 1000 Base-T Dual Ports Transformer Modules & PoE		
ANGLES ±1°	UNIT: mm	PART NO.: TRC6080ANL		
	SCALE: 2/1	SHEET: 1/2	REV: A	DWG NO.: TRC10100102