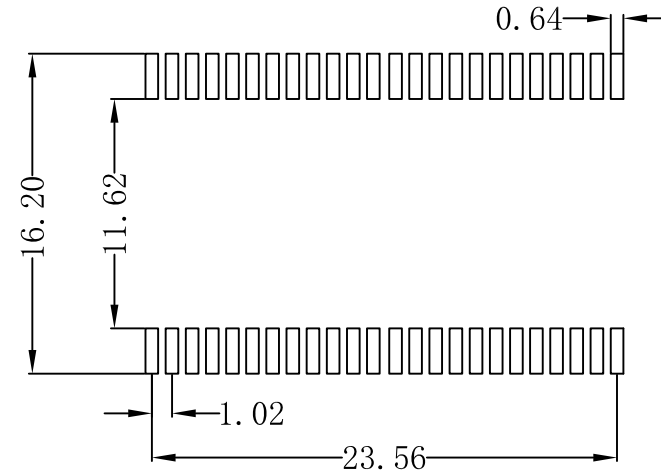
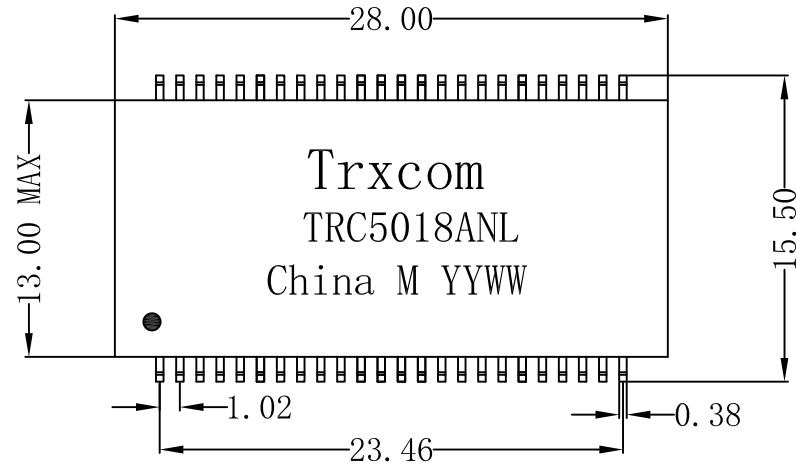
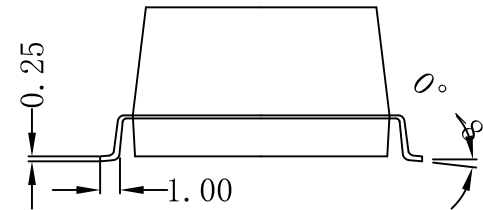
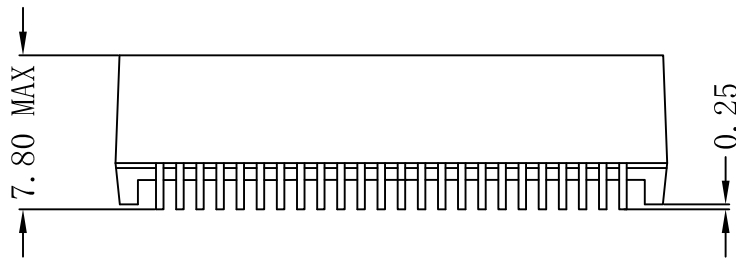


Mechanical:

REV.	ECN NO.	DESCRIPTION	DATE	APPD
A	REL		2015-05-25	



SUGGESTED PAD LAYOUT



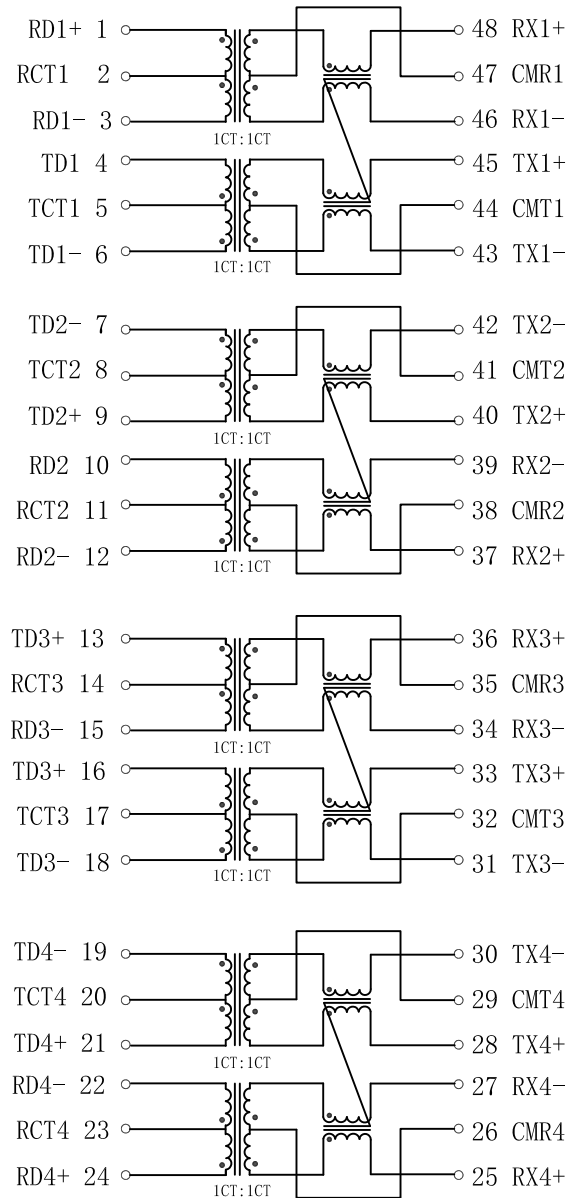
NOTES:

1. Designed to support application, such as SOHO (ADSL modems), LAN-on-Motherboard (LOM), hub and Switches.
2. The part is RoHS compliant.
3. Meets IEEE 802.3af specification.
4. Maximum reflow temperature is 250°C, 5 Sec.
5. UL Certification: File Number E321120



X:X	APPD:	Trxcom		
X:XX ±0.25	CHKD:	Huizhou Trxcom Electronics Co., Ltd		
X:XXX	DR: SEA	TITLE: 10/100 Base-T Quad Port Magnetic Modules For PoE Application		
ANGLES ±1°	UNIT: mm	PART NO.: TRC5018ANL		
	SCALE: 2/1	SHEET: 1/2	REV: A	DWG NO.: TRC09092829

Schematic:



REV.	ECN NO.	DESCRIPTION	DATE	APPD
A	REL		2015-05-25	

ELECTRICAL SPECIFICATIONS @25°C

- Turn Ratio ($\pm 3\%$):
TX=1CT:1CT RX=1CT:1CT
- Inductance OCL:
350uH MIN @ 100KHz 0.1V 8mA DC Bias
- Insertion Loss:
-1.1dB MAX @ 1-100MHz
- Return Loss:
-16dB MIN @ 1-30MHz
-12dB MIN @ 30-60MHz
-10dB MIN @ 60-100MHz
- Cross talk:
-40dB MIN @ 1-30MHz
-35dB MIN @ 30-60MHz
-30dB MIN @ 60-100MHz
- Common Mode Rejection:
-30dB MIN @ 1-50MHz
-20dB MIN @ 50-150MHz
- Balanced DC Line current:
350mA MAX @ 48VDS Continuous.
- Hipot Test: 1500Vrms
- Operating Temperature Range: -40°C to +85°C.

X:X	APPD:	Trxcom		
X:XX ± 0.25	CHKD:	Huizhou Trxcom Electronics Co.,ltd		
X:XXX	DR: SEA	TITLE: 10/100 Base-T Quad Port Magnetic Modules For PoE Application		
ANGLES $\pm 1^\circ$	UNIT: mm	PART NO.: TRC5018ANL		
	SCALE: 2/1	SHEET: 2/2	REV: A	DWG NO.: TRC09092829