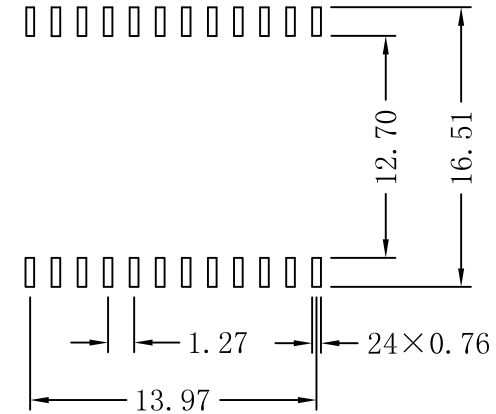
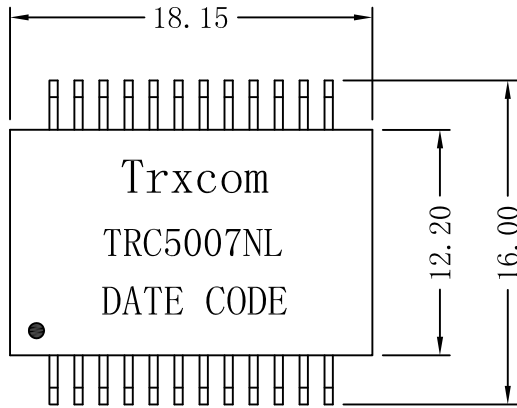
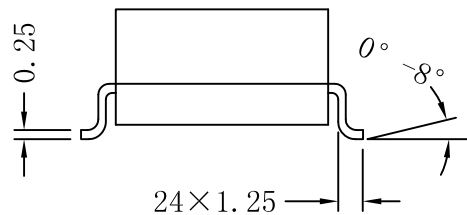
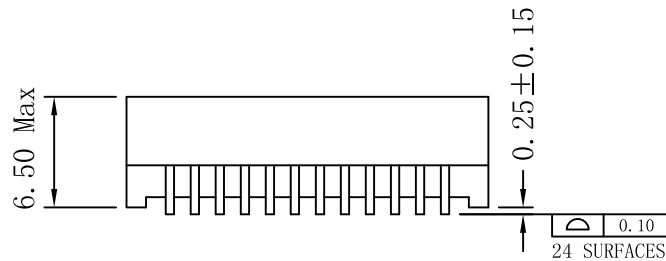


# Mechanical:

REV.	ECN NO.	DESCRIPTION	DATE	APPD
A	REL		15/07/2009	



SUGGESTED PAD LAYOUT



## NOTES:

1. Designed to support application, such as SOHO (ADSL modems), LAN-on-Motherboard (LOM), hub and Switches.
2. Meets IEEE 802.3 specification.
3. Maximum reflow temperature is 250°C, 5 Sec.
4. UL certification: file number E321120

Dimensions: mm

Unless otherwise specified, all tolerances are ±0.25



X:X	APPD:	<b>Trxcom</b>		
X:XX ±0.25	CHKD:	Huizhou Trxcom Electronics Co., ltd		
X:XXX	DR: C. H. Y	TITLE: 1000Base-T Magnetic Modules		
ANGLES ±1°	UNIT: mm	PART NO.: TRC5007NL		
	SCALE: 2/1	SHEET: 1/2	REV: A	DWG NO.: TRC09071502

