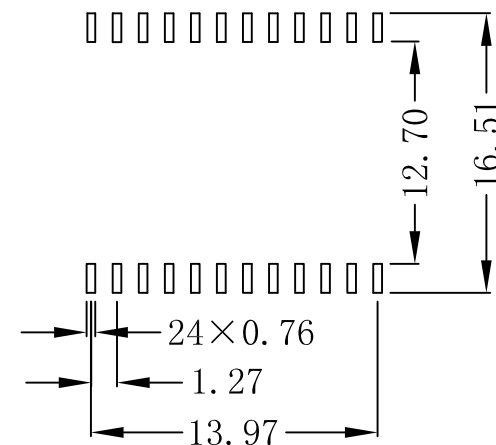
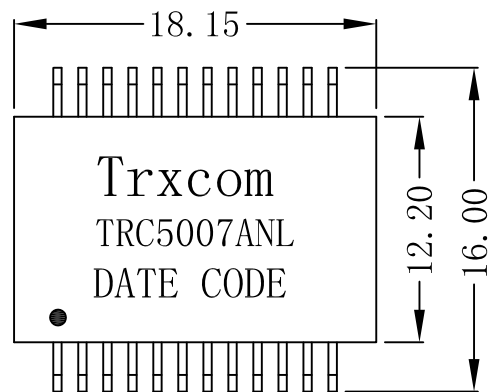
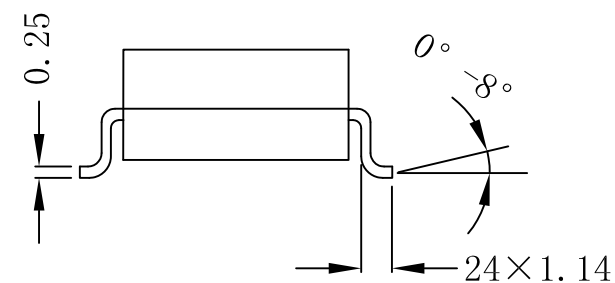
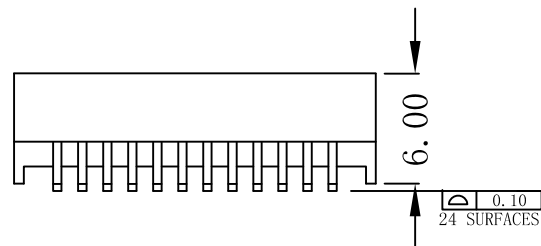


Mechanical:

REV.	ECN NO.	DESCRIPTION	DATE	APPD
B	REL		2015-04-24	



SUGGESTED PAD LAYOUT



NOTES:

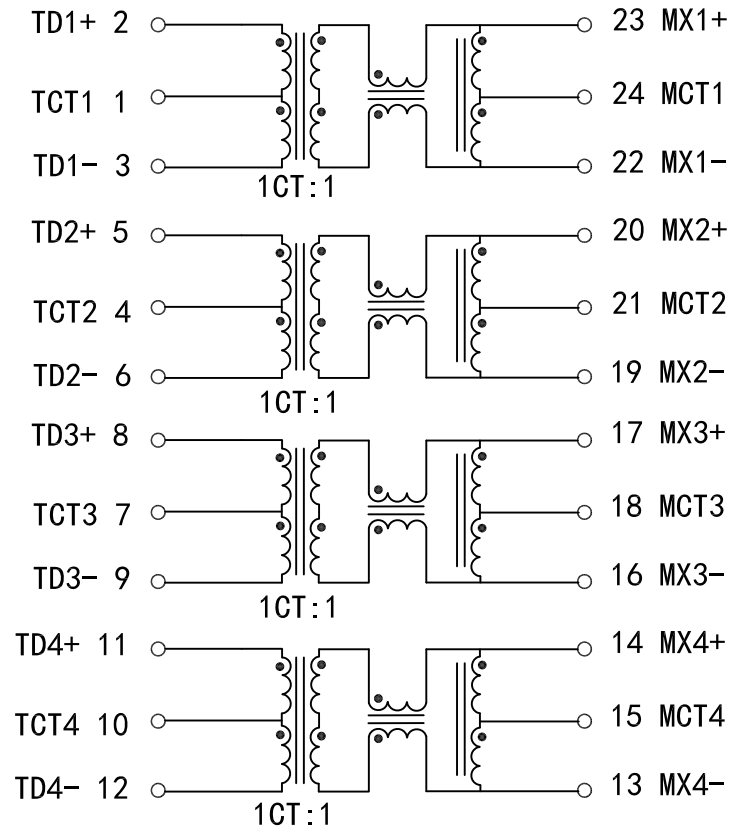
1. Designed to support application, such as SOHO (ADSL modems), LAN-on-Motherboard (LOM), hub and Switches.
2. Meets IEEE 802.3 specification.
3. Maximum reflow temperature is 250°C, 5 Sec.
4. UL certification: file number E321120



X:X	±0.25	APPD:	Trxcom	
X:XX	±0.20	CHKD:	HuiZhou Trxcom Electronics Co., Ltd.	
X:XXX	±0.10	DR: SEA	TITLE: 1000Base-T Magnetic Modules	
ANGLES	±1°	UNIT: mm	PART NO.: TRC5007ANL	
	SCALE: 2/1	SHEET: 1/2	REV: B	DWG NO.: TRC15052313

Schematic:

REV.	ECN NO.	DESCRIPTION	DATE	APPD
B	REL		2015-04-24	



Electrical Specifications @25°C

- Turns Ratio ($\pm 2\%$):
Pri : Sec = 1CT : 1
- Inductance (@100KHz, 100mV, 8mA):
350uH MIN
- Insertion Loss:
1-100MHz: -1.0dB Max
- Return Loss (dB Min):
1-30MHz: -18 40MHz: -18
50MHz: -16 60-80MHz: -12
100MHz: -10
- Crosstalk (dB Min):
30MHz: -45 60MHz: -40
100MHz: -35
- DCMR (dB Min):
30MHz: -43 60MHz: -37
100MHz: -33
- Hipot: 1500Vrms Min
- Operating Temperature: -40°C ~ +85°C.



X:X	± 0.25	APPD:	Trxcom HuiZhou Trxcom Electronics Co.,Ltd.	
X:XX	± 0.20	CHKD:		
X:XXX	± 0.10	DR: SEA	TITLE: 1000Base-T Magnetic Modules	
ANGLES	$\pm 1^\circ$	UNIT: mm	PART NO.: TRC5007ANL	
	SCALE: 2/1	SHEET: 2/2	REV: B	DWG NO.: TRC15052313