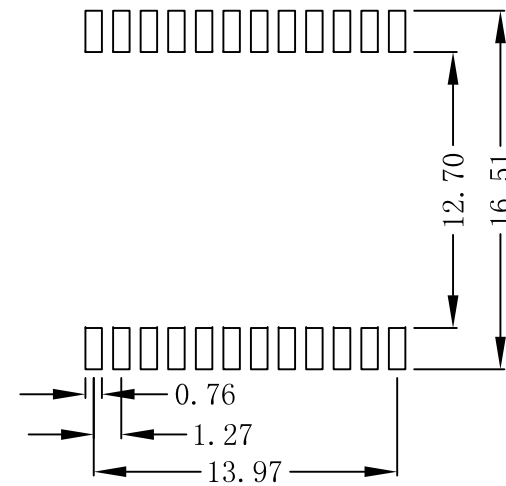
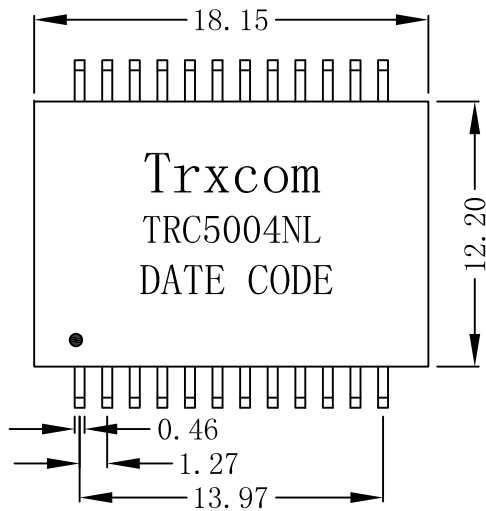
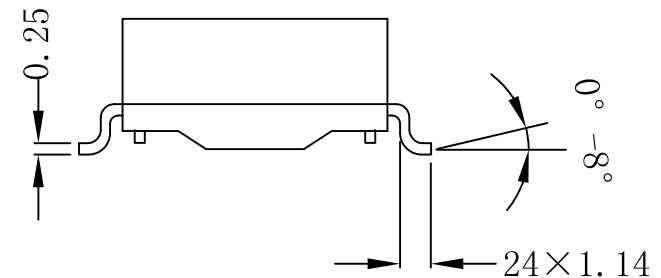
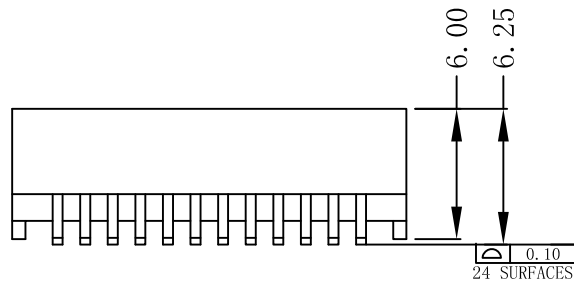


Mechanical:

REV.	ECN NO.	DESCRIPTION	DATE	APPD
B	REL		2015-04-24	



SUGGESTED PAD LAYOUT



NOTES:

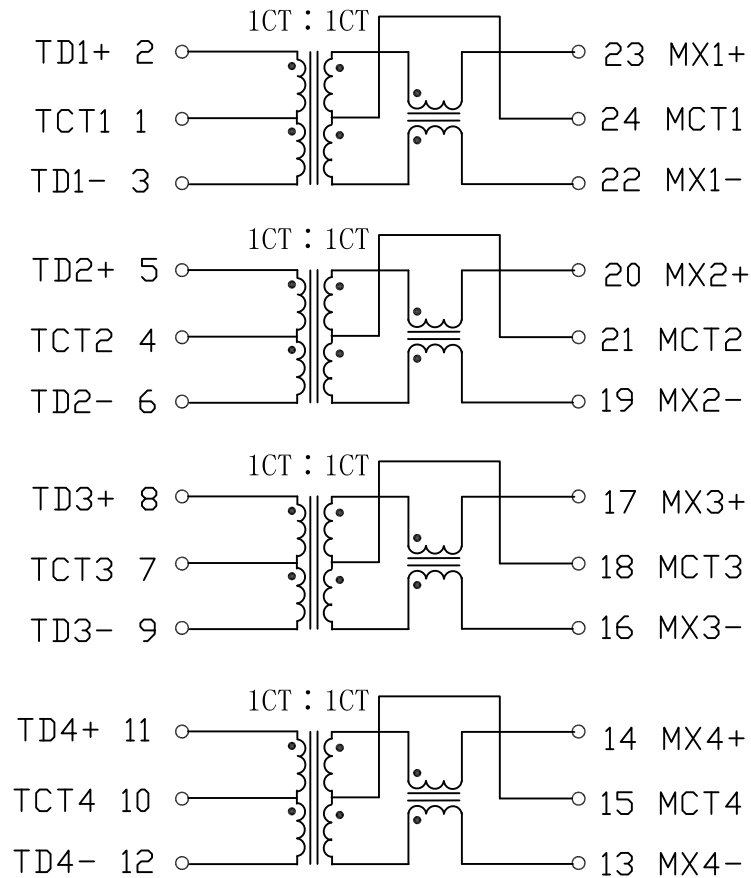
1. Designed to support application, such as SOHO (ADSL modems), LAN-on-Motherboard (LOM), hub and Switches.
2. Meets IEEE 802.3 specification.
3. Maximum reflow temperature is 250°C, 5 Sec.
4. UL certification: file number E321120



X:X	±0.25	APPD:	Trxcom
X:XX	±0.20	CHKD:	ShenZhen Trxcom Electronics Co.,Ltd.
X:XXX	±0.10	DR: GRANT	Title: 1000Base-T Magnetic Modules
ANGLES	±1°	UNIT: mm	PART NO.: TRC5004NL
	SCALE: 2/1	SHEET: 1/2	REV: B
			DWG NO.: TRC14122009

Schematic:

REV.	ECN NO.	DESCRIPTION	DATE	APPD
B	REL		2015-04-24	



Electrical Specifications @25°C

1. Insertion Loss:

1-100MHz: -1.0dB MAX

2. Return Loss (dB MIN @100Ω):

1-30MHz: -18 40MHz: -18
 50MHz: -16 60-80MHz: -12
 100MHz: -10

3. Crosstalk (dB MIN):

30MHz: -45 60MHz: -40
 100MHz: -35

4. DCMR (dB MIN):

30MHz: -43 60MHz: -37
 100MHz: -33

5. Hipot: 1500Vrms MIN

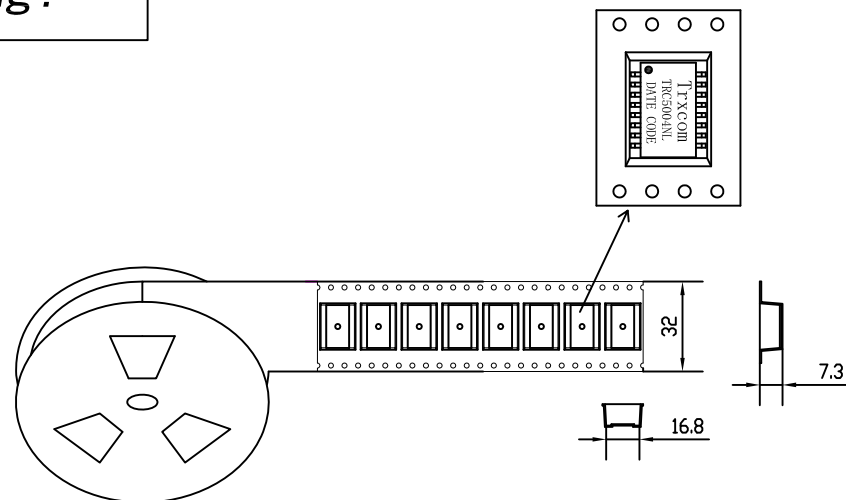
6. Operating Temperature: 0°C ~ 70°C.



X:X	±0.25	APPD:	Trxcom	
X:XX	±0.20	CHKD:	ShenZhen Trxcom Electronics Co.,Ltd.	
X:XXX	±0.10	DR: GRANT	Title: 1000Base-T Magnetic Modules	
ANGLES	±1°	UNIT: mm	PART NO.: TRC5004NL	
	SCALE: 2/1	SHEET: 2/2	REV: B	DWG NO.: TRC14122009

Packing:

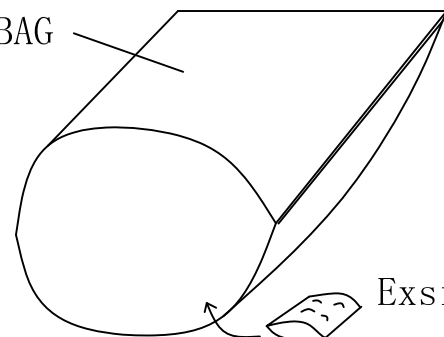
REV.	ECN NO.	DESCRIPTION	DATE	APPD
A	REL		2014-03-26	



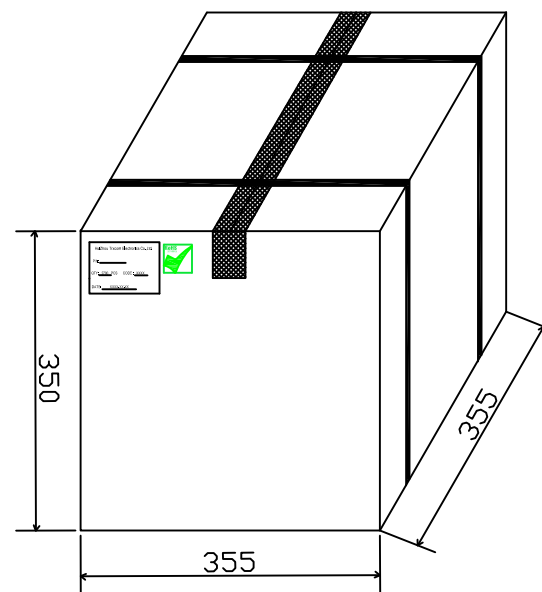
450/Reel

1 Reel

PE BAG



8 Inner Carton



- ◆ Packaging unit : 450 pcs/ reel
- ◆ Packaging way : Carrier tape
- ◆ Outer carton unit : 3600 pcs/ 8 Inner Carton/ box
- ◆ Net Weight : 6 kg
- ◆ Gross Weight : 13 kg

X:X	APPD:	Trxcom		
X:XX ±0.25	CHKD:	HuiZhou Trxcom Electronics Co.,Ltd.		
X:XXX	DR: Frank	Title: 1000Base-T Single Port Transformer Modules		
ANGLES ±1°	UNIT: mm	PART NO.: TRC5004NL		
	SCALE: 2/1	SHEET: 3/3	REV: A	DWG NO.: TRC14032601