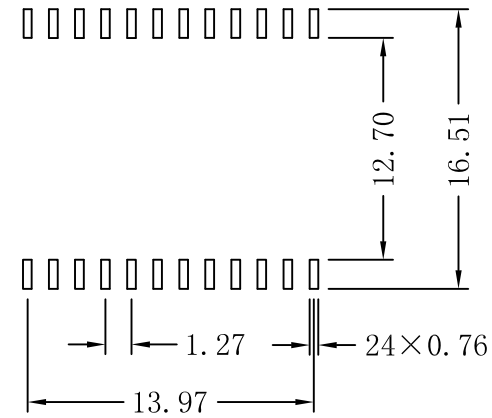
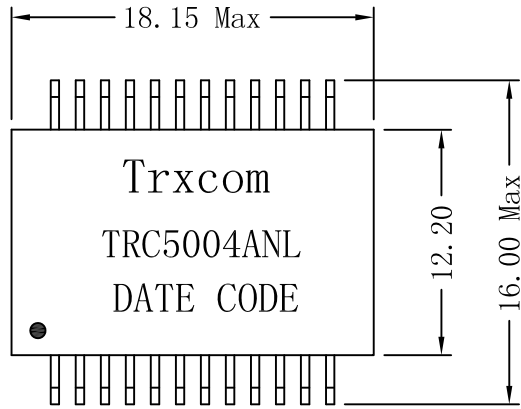
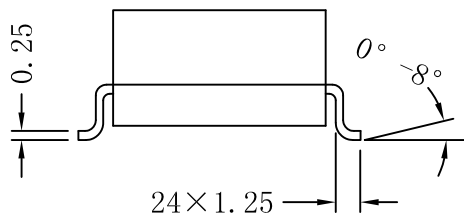
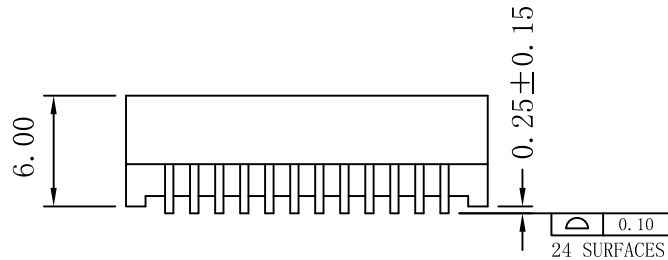


Mechanical:

REV.	ECN NO.	DESCRIPTION	DATE	APPD
A	REL		28/07/2007	



SUGGESTED PAD LAYOUT



NOTES:

1. Designed to support application, such as SOHO (ADSL modems), LAN-on-Motherboard (LOM), hub and Switches.
2. Meets IEEE 802.3 specification.
3. Maximum reflow temperature is 250°C, 5 Sec.
4. UL certification: file number E321120

Dimensions: mm

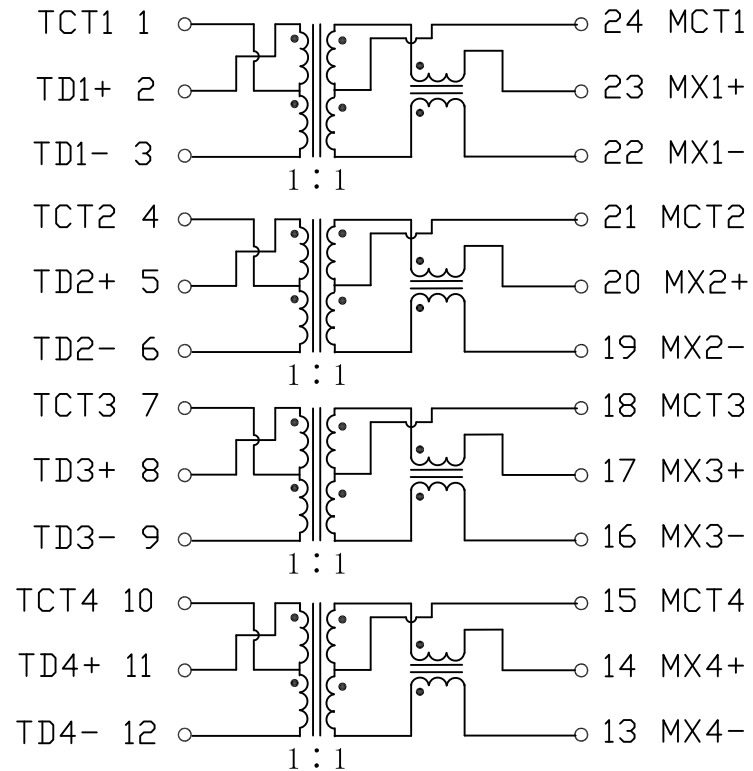
Unless otherwise specified, all tolerances are ± 0.25



X:X	APPD:	Trxcom		
X:XX	± 0.25	CHKD:	Huizhou Trxcom Electronics Co., Ltd	
X:XXX		DR: SEA	TITLE: 1000Base-T Magnetic Modules	
ANGLES	$\pm 1^\circ$	UNIT: mm	PART NO.: TRC5004ANL	
	SCALE: 2/1	SHEET: 1/4	REV: A	DWG NO.: TRC07072810

Schematic:

REV.	ECN NO.	DESCRIPTION	DATE	APPD
A	REL		28/07/2007	



Electrical Specifications @25°C

- Turns Ratio:
Pri:Sec = 1CT:1CT
- OCL: 350uH MIN.
@100KHz, 100mV, 8mADC Bias.
- Insertion Loss:
1-100MHz:-1.0dB MAX
- Return Loss(dB MIN @100Ω):

1-30MHz:-18	40MHz:-18
50MHz:-16	60-80MHz:-12
100MHz:-10	
- Crosstalk(dB MIN):

30MHz:-45	60MHz:-40
100MHz:-35	
- DCMR(dB MIN):

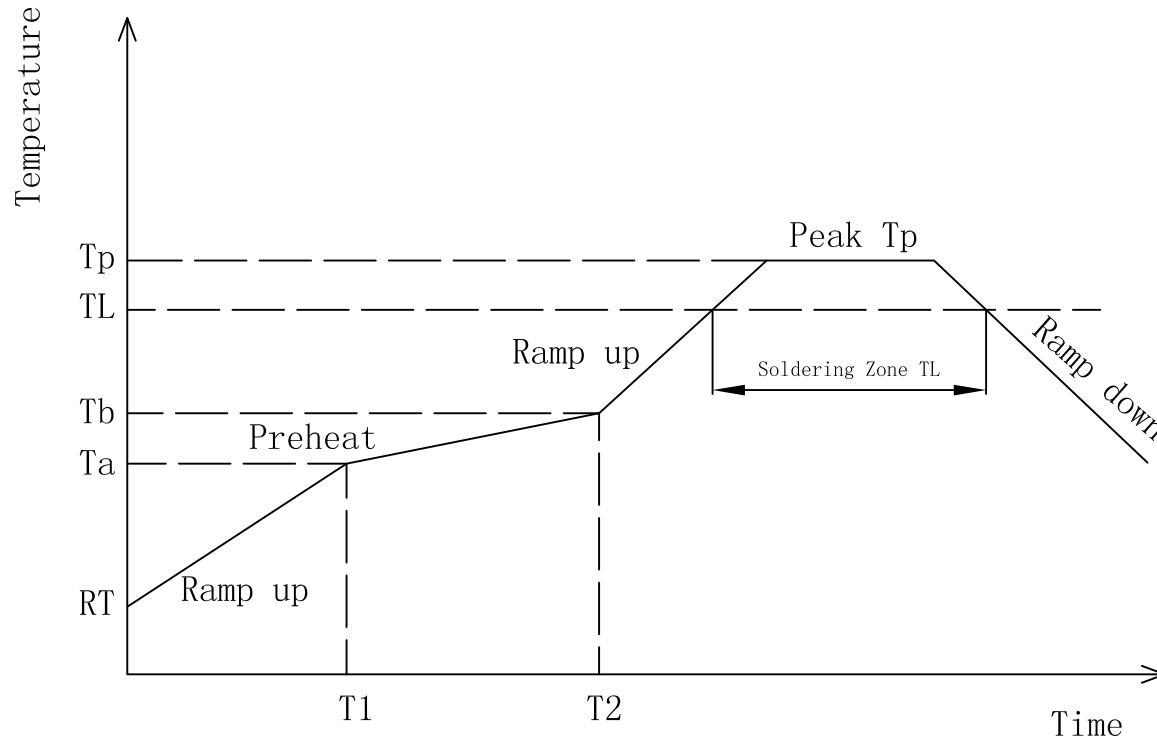
30MHz:-43	60MHz:-37
100MHz:-33	
- Hipot: 1500Vrms MIN
- Operating Temperature: -40°C ~ +85°C.
Storage Temperature: -55°C ~ +125°C.



X:X	APPD:	Trxcom		
X:XX ±0.25	CHKD:	Huizhou Trxcom Electronics Co.,Ltd		
X:XXX	DR: SEA	TITLE: 1000Base-T Magnetic Modules		
ANGLES ±1°	UNIT: mm	PART NO.: TRC5004ANL		
	SCALE: 2/1	SHEET: 2/4	REV: A	DWG NO.: TRC07072810

IR Reflow:

REV.	ECN NO.	DESCRIPTION	DATE	APPD
A	REL		28/07/2007	



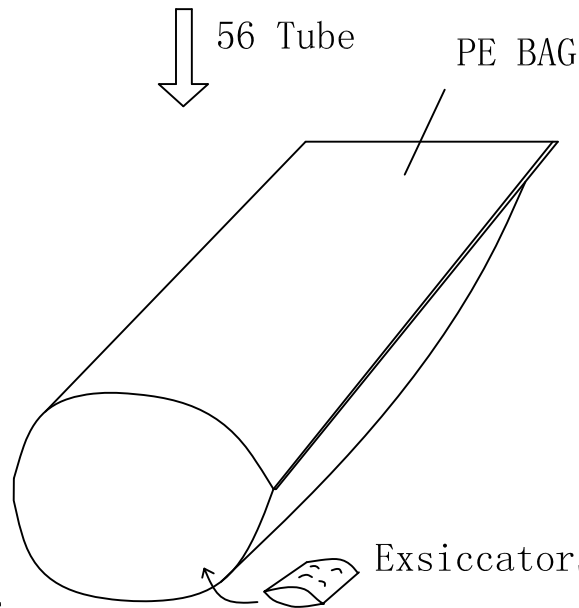
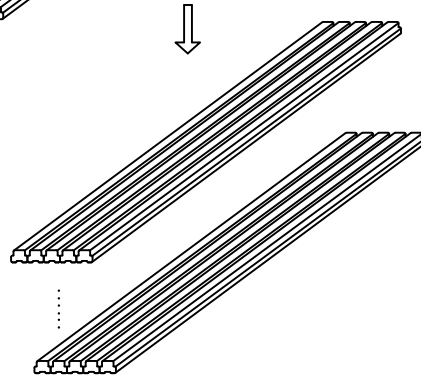
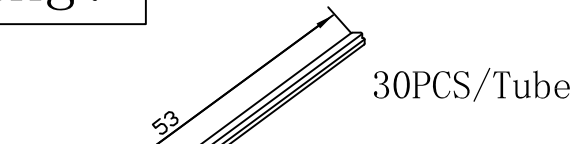
- ◆ Preheat:
Temperature (Ta-Tb) : 150-200°C
Time (t1-t2) : 60-180s
- ◆ Holding Temperature: 217°C
Time (TL) : 60-150s
- ◆ Max Temperature (Tp) : 250 (+0/-5°C)
Max Time (Tp) : 30s
- ◆ The average speed: 3°C/S Max
The average cooling speed: 6°C/S Max
- ◆ From 25°C to Products out of the furnace: 6 minutes Max



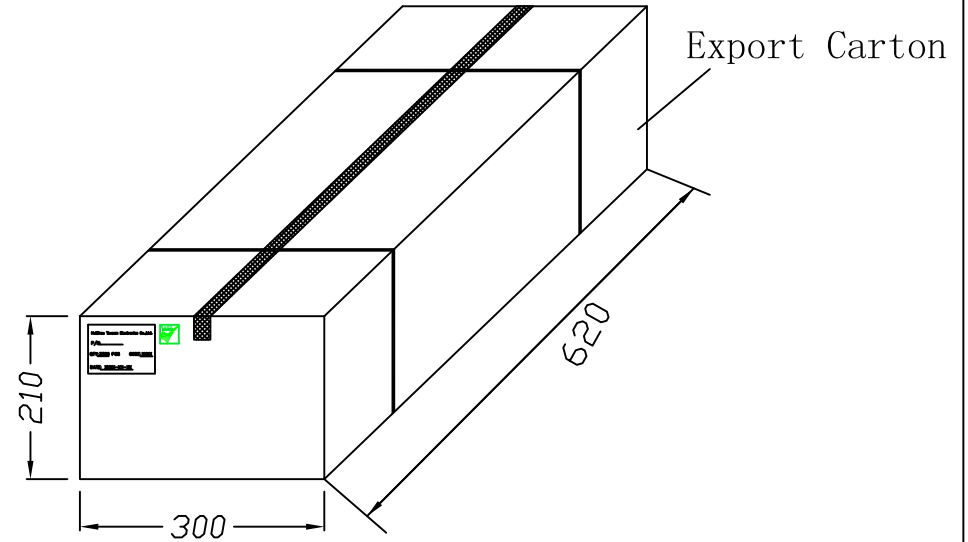
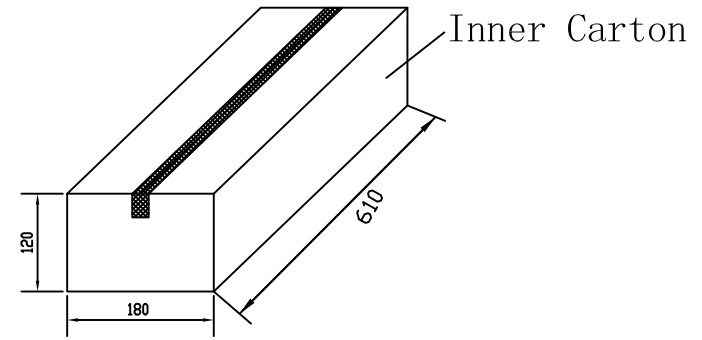
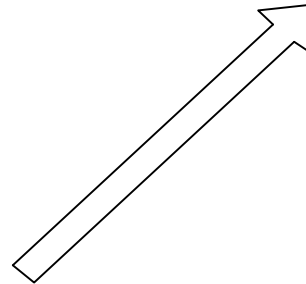
X:X	APPD:	Trxcom Huizhou Trxcom Electronics Co., Ltd
X:XX ±0.25	CHKD:	
X:XXX	DR: SEA	TITLE: 1000Base-T Magnetic Modules
ANGLES ±1°	UNIT: mm	PART NO. : TRC5004ANL
	SCALE: 2/1	SHEET: 3/4
	REV: A	DWG NO. : TRC07072810

Packing:

REV.	ECN NO.	DESCRIPTION	DATE	APPD
A	REL		28/07/2007	



- ◆ 1 Tube = 30PCS
- ◆ 1 Inner Carton = 56Tube = 1680PCS
- ◆ 1 Export Carton = 2 Inner Carton = 3360PCS
- ◆ Net Weight: 15kg
- ◆ Gross Weight: 17kg



X:X	APPD:	Trxcom Huizhou Trxcom Electronics Co.,Ltd
X:XX ±0.25	CHKD:	
X:XXX	DR: SEA	TITLE: 1000Base-T Magnetic Modules
ANGLES ±1°	UNIT: mm	PART NO.: TRC5004ANL
	SCALE: 2/1	SHEET: 4/4
	REV: A	DWG NO.: TRC07072810