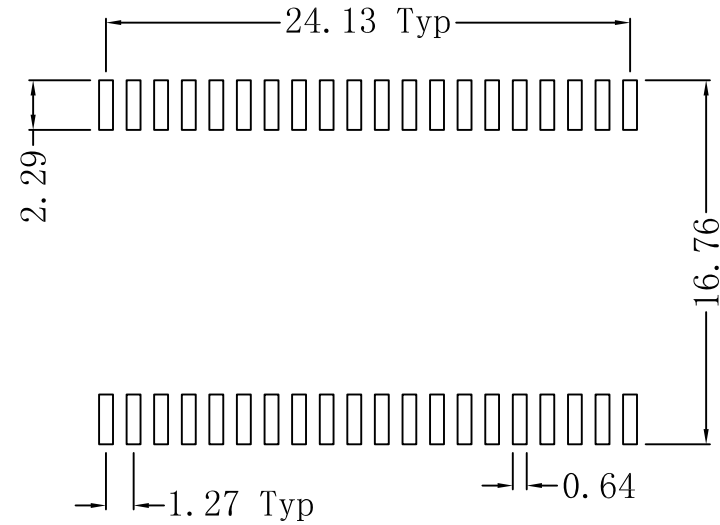
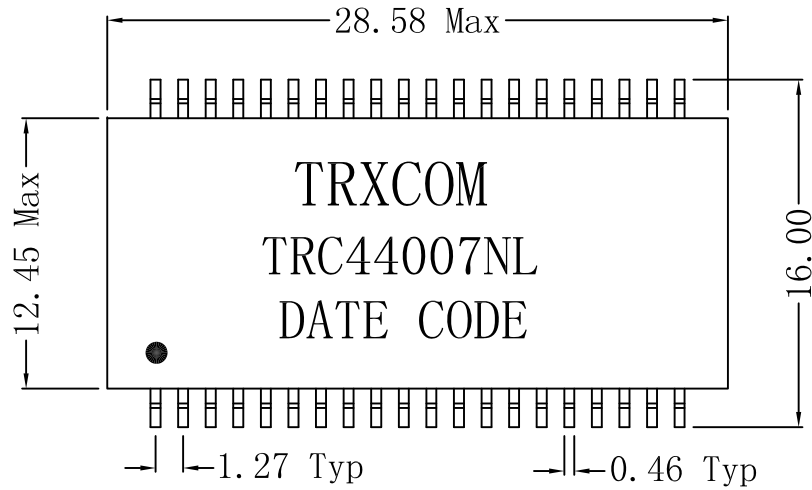
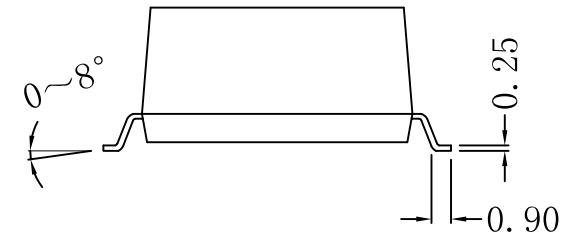
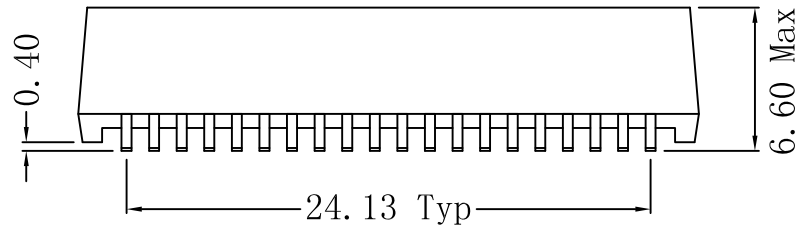


Mechanical:

REV.	ECN NO.	DESCRIPTION	DATE	APPD
A	REL		2012/05/04	



SUGGESTED PAD LAYOUT



Dimensions: mm
Unless otherwise specified, all tolerances are ± 0.25

NOTES:

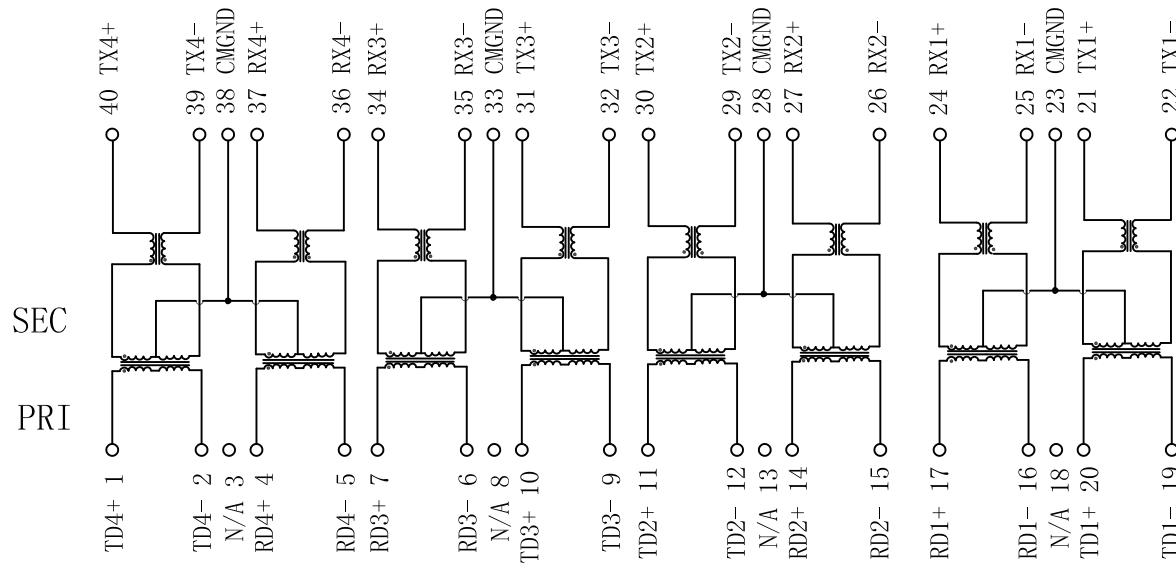
1. Designed to support application, such as SOHO (ADSL modems), LAN-on-Motherboard (LOM), hub and Switches.
2. With various Turns Ratios.
3. RoHS "NL" peak solder rating $260^{\circ}\text{C} \pm 5^{\circ}\text{C}$.
4. UL Certification: File Number E321120.



X: X	APPD:	Trxcom TRXCOM INT'L TECHNOLOGY CO. LTD.
X: XX ± 0.25	CHKD:	
X: XXX	DR: SEA	
ANGLES $\pm 1^{\circ}$	UNIT: mm	TITLE: 10/100Base-TX Quad Port Transformer Modules
		PART NO.: TRC44007NL
	SCALE: 2/1	SHEET: 1/3
	REV: A	DWG NO.: TRC12050411

Schematic :

REV.	ECN NO.	DESCRIPTION	DATE	APPD
A	REL		2012/05/04	



Electrical Specifications @25°C

- Turns ratio(pri : sec):
1CT : 1CT $\pm 2\%$
- OCL: 350uH MIN
@100KHz, 100mVrms, 8mADC Bias
- Insertion Loss:
100KHz: -1.2dB MAX
1-100MHz: -1.0dB MAX
- Return Loss(dB MIN @100 Ω $\pm 15\%$):
0.1-30MHz: -16 30-60MHz: -14
60-80MHz: -12
- Crosstalk(dB MIN):
1MHz: -50
10-100MHz: -33
- Differential to Common Mode Rejection:
2MHz: -50dB MIN
30-200MHz: -25dB MIN
- Hipot: 1500Vrms MIN
- Operating Temperature: 0°C ~ 70°C.

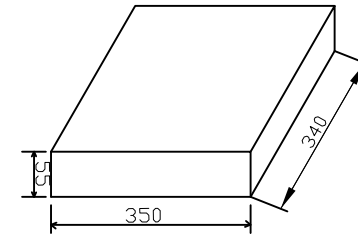
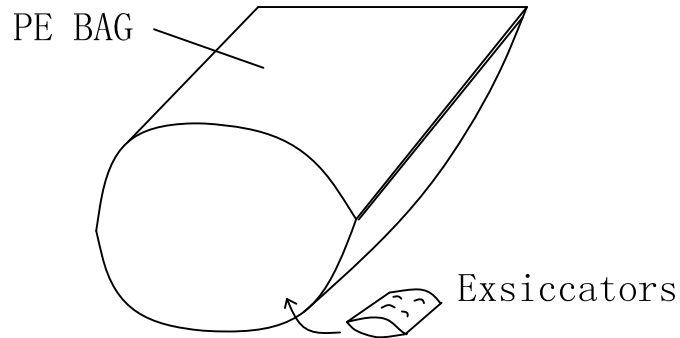
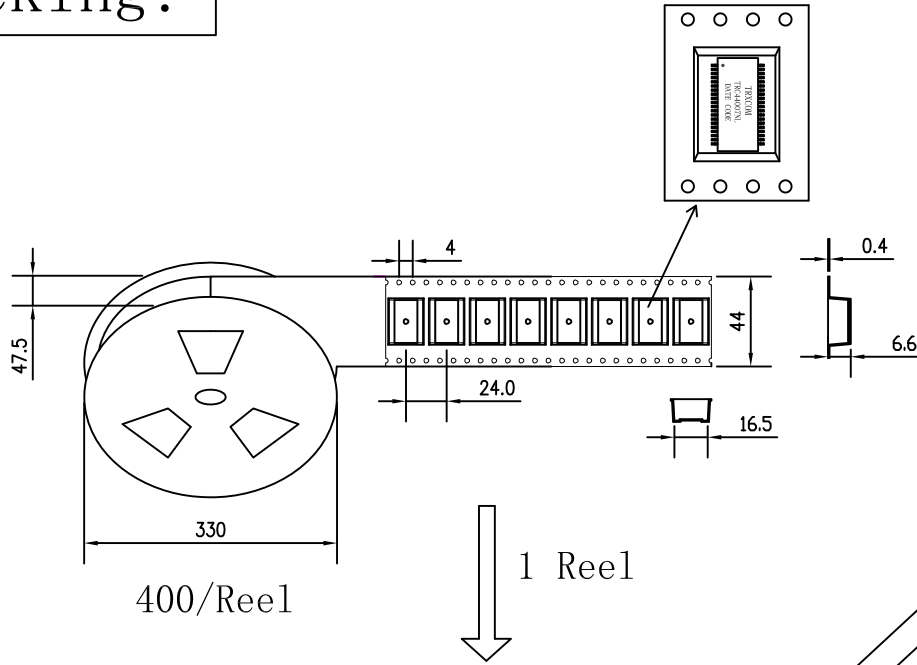
Operating voltage: 3.3-5V
Current: 350mA



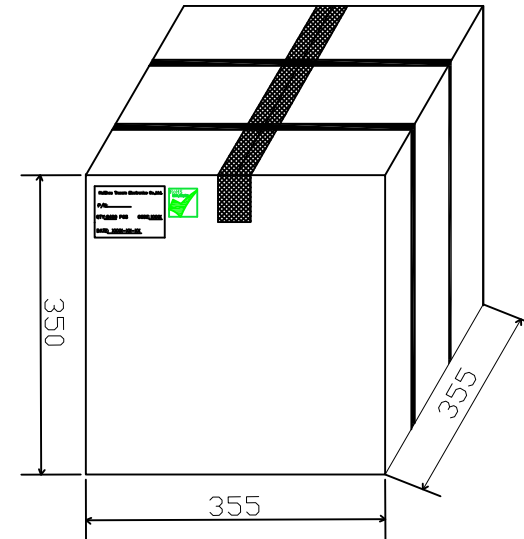
X: X	APPD:	Trxcom
X: XX ± 0.25	CHKD:	
X: XXX	DR: SEA	TITLE: 10/100Base-TX Quad Port Transformer Modules
ANGLES $\pm 1^\circ$	UNIT: mm	PART NO.: TRC44007NL
	SCALE: 2/1	SHEET: 2/3
	REV: A	DWG NO.: TRC12050411

Packing:

REV.	ECN NO.	DESCRIPTION	DATE	APPD
A	REL		2012/05/04	



6 Inner Carton



- ◆ Packaging unit: 400pcs/reel
- ◆ Packaging way: Carrier tape
- ◆ Outer carton unit: 2400pcs/6 Inner Carton/box
- ◆ Net Weight: 4 kg
- ◆ Gross Weight: 7 kg

X:X	APPD:	Trxcom TRXCOM INT'L TECHNOLOGY CO. LTD.
X:XX ±0.25	CHKD:	
X:XXX	DR:	TITLE: 10/100Base-TX Quad Port Transformer Modules
ANGLES ±1°	UNIT: mm	PART NO.: TRC44007NL
	SCALE: 2/1	SHEET: 3/3
	REV: A	DWG NO.: TRC12050411