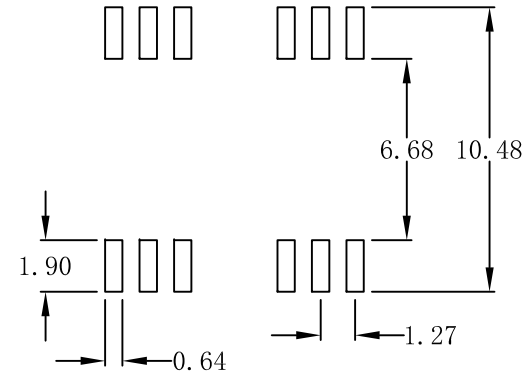
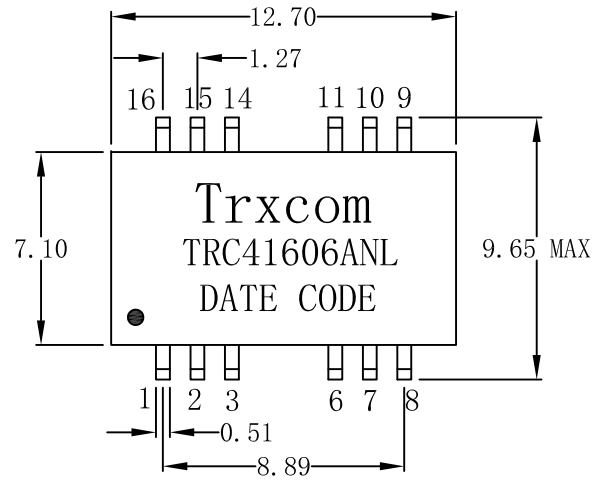
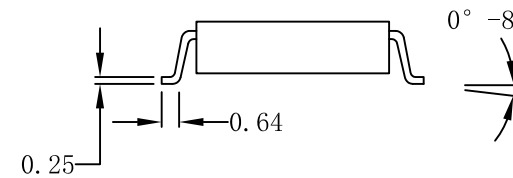
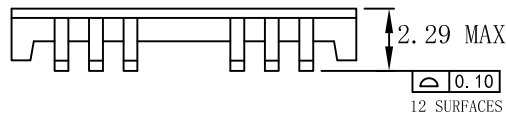


Mechanical :

REV.	ECN NO.	DESCRIPTION	DATE	APPD
A	REL		27/08/09	



SUGGESTED PAD LAYOUT



NOTES:

1. Designed to support application, such as SOHO (ADSL modems), LAN-on-Motherboard (LOM), hub and Switches.
2. The part is RoHS compliant.
3. Meets IEEE 802.3 specification.
4. Maximum reflow temperature is 250°C, 5 Sec.
5. UL Certification: File Number E321120

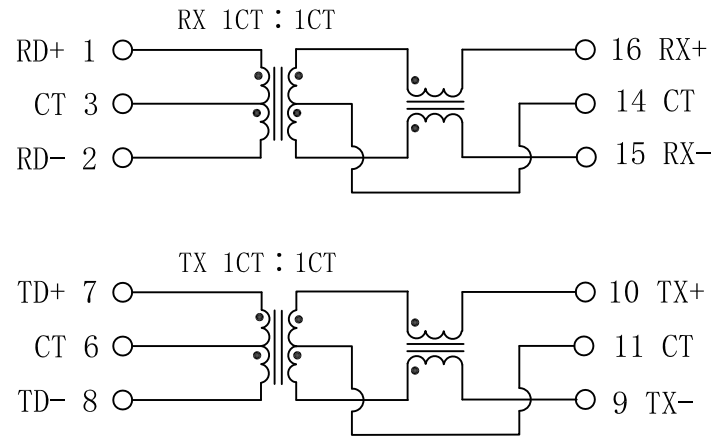
Dimensions: mm

Unless otherwise specified, all tolerances are ± 0.25

X:X	APPD:	Trxcom		
X:XX	CHKD:	Huizhou Trxcom Electronics Co., Ltd		
X:XXX	DR: C. H. Y	TITLE: 10/100 Base PC Card Lan Magnetic Modules		
ANGLES $\pm 1^\circ$	UNIT: mm	PART NO.: TRC41606ANL		
	SCALE: 2/1	SHEET: 1/2	REV: A	DWG NO.: TRC09082706

Schematic:

REV.	ECN NO.	DESCRIPTION	DATE	APPD
A	REL		27/08/09	



Electrical Specifications @25°C

- Turns Ratio ($\pm 5\%$):
TX=1CT : 1CT RX=1CT : 1CT
- OCL: 350uH MIN @100KHz 0.1V
- Insertion Loss:
0.3-100MHz: -1.1dB MAX
- Return Loss (dB TYP):
30MHz: -20 60MHz: -14
80MHz: -11.5
- Crosstalk (dB TYP):
30MHz: -45 60MHz: -40
100MHz: -35
- CMR (dB TYP):
30MHz: -42 50MHz: -37
100MHz: -33
- Hipot: 1500Vrms/0.5mA/60Sec.
- Operating Temperature: -40°C ~ +85°C.



X:X	APPD:	Trxcom
X:XX	CHKD:	
X:XXX	DR: C. H. Y	TITLE: 10/100 Base PC Card Lan Magnetic Modules
ANGLES $\pm 1^\circ$	UNIT: mm	PART NO.: TRC41606ANL
	SCALE: 2/1	SHEET: 2/2
	REV: A	DWG NO.: TRC09082706