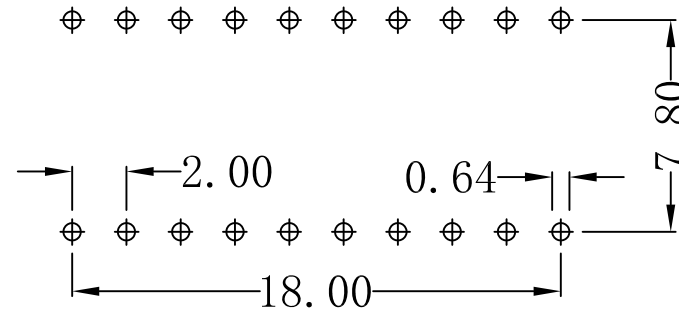
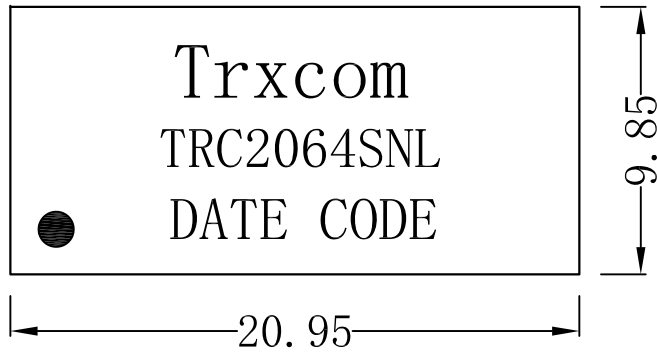
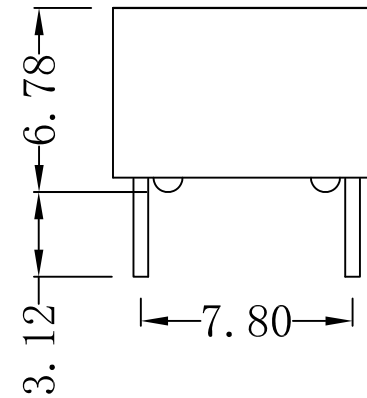
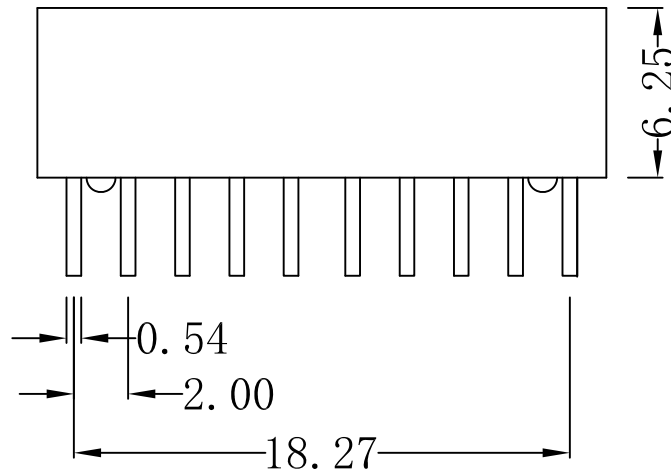


**Mechanical:**

REV.	ECN NO.	DESCRIPTION	DATE	APPD
A	REL		2015-06-01	



SUGGESTED PAD LAYOUT



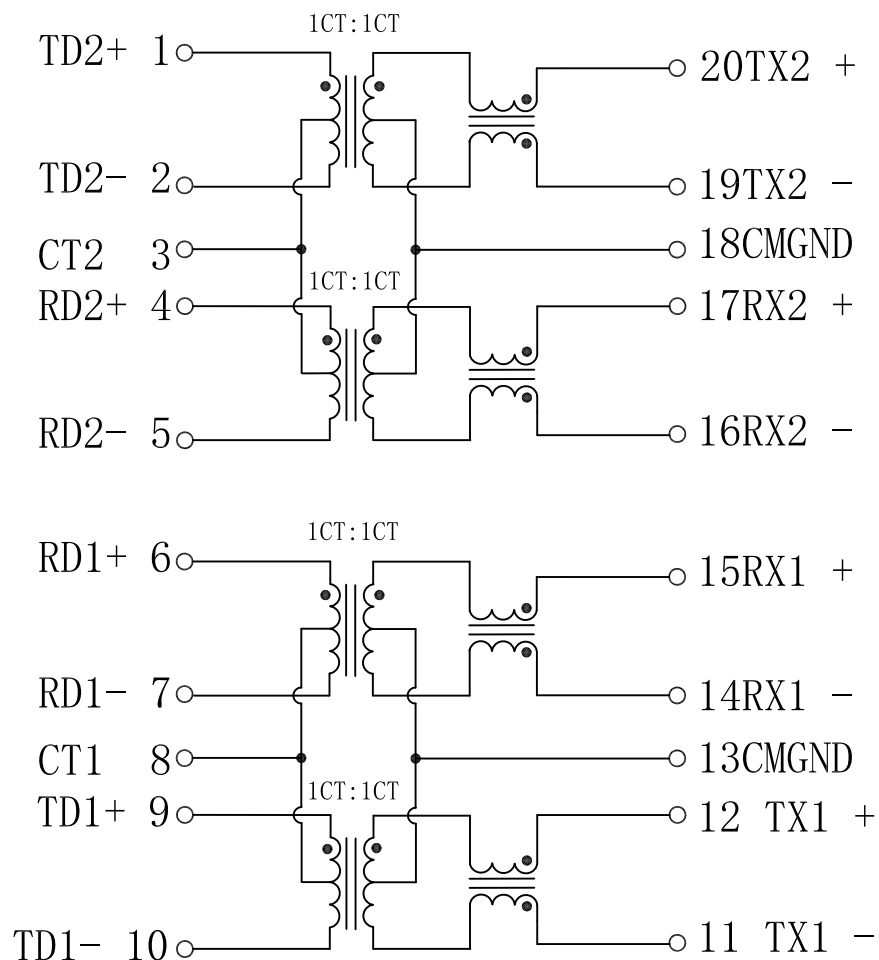
**NOTES:**

1. Designed to support application, such as SOHO (ADSL modems), LAN-on-Motherboard (LOM), hub and Switches.
2. Meets IEEE 802.3 specification.
3. Wave solder tip temperature: 260°C Max, 5 Sec.
4. UL certification: file number E321120

X:X	APPD:	<b>Trxcom</b>		
X:XX ±0.25	CHKD:	Huizhou Trxcom Electronics Co., ltd		
X:XXX	DR: grant	TITLE: 10/100Base-T Dual Port Transformer Modules		
ANGLES ±1°	UNIT: mm	PART NO.: TRC2064SNL		
	SCALE: 2/1	SHEET: 1/2	REV: A	DWG NO.: TRC08120501

# Schematic:

REV.	ECN NO.	DESCRIPTION	DATE	APPD
A	REL		2015-06-01	



## ELECTRICAL SPECIFICATIONS @25°C

- Turn Ratio ( $\pm 3\%$ ):  
TX=1CT:1CT      RX=1CT:1CT
- Inductance OCL:  
350uH MIN @ 100KHz 0.1V 8mA DC Bias
- Insertion Loss:  
-1.15dB MAX @ 1-100MHz
- Return Loss:  
-18dB MIN @ 1-30MHz  
-14dB MIN @ 30-60MHz  
-12dB MIN @ 60-80MHz
- Cross talk:  
-38dB MIN @ 1-100MHz
- Common Mode Rejection:  
-40dB MIN @ 1-100MHz
- Hipot Test: 1500Vrms
- Operating Temperature Range: 0°C to 70°C.



X:X	APPD:	<b>Trxcom</b>		
X:XX $\pm 0.25$	CHKD:	Huizhou Trxcom Electronics Co., ltd		
X:XXX	DR: grant	TITLE: 10/100Base-T Dual Port Transformer Modules		
ANGLES $\pm 1^\circ$	UNIT: mm	PART NO.: TRC2064SNL		
	SCALE: 2/1	SHEET: 2/2	REV: A	DWG NO.: TRC08120501