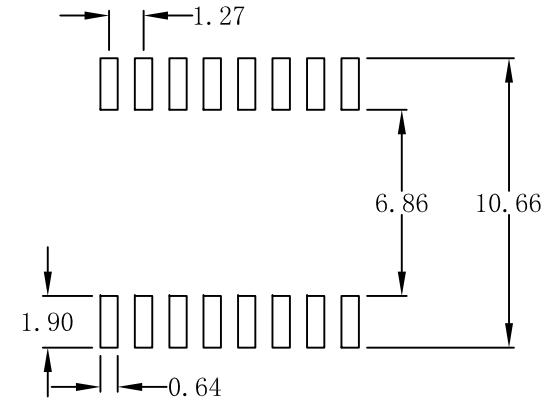
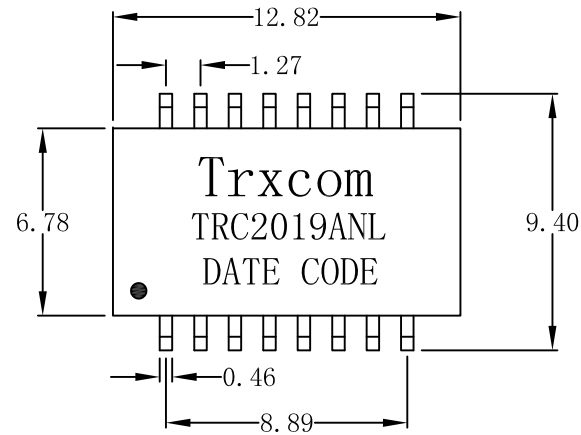
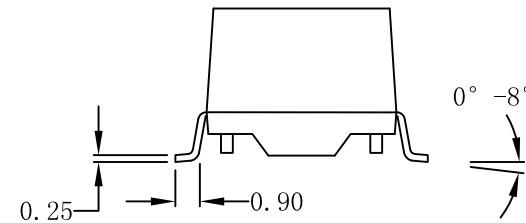
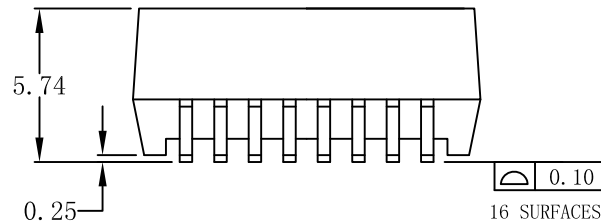


Mechanical :

REV.	ECN NO.	DESCRIPTION	DATE	APPD
A	REL		2015-05-28	



SUGGESTED PAD LAYOUT



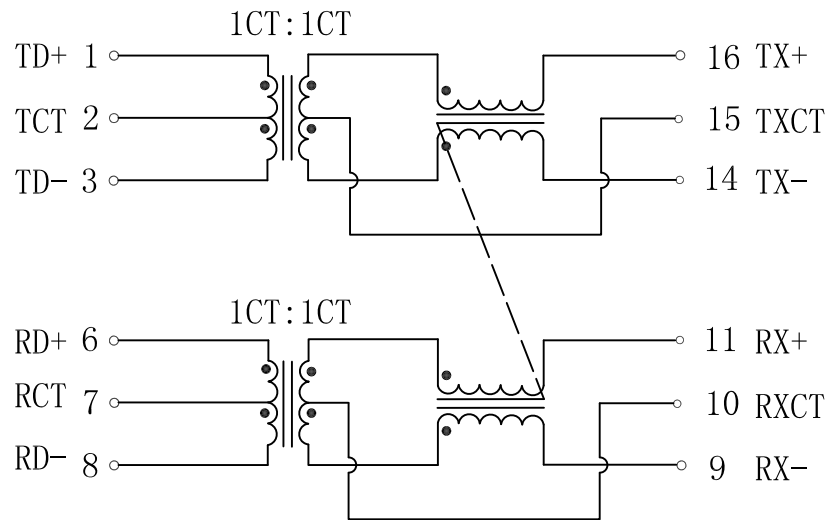
NOTES:

1. Designed to support application, such as SOHO (ADSL modems), LAN-on-Motherboard (LOM), hub and Switches.
2. Meets IEEE 802.3af/ANSI X3.263 Compliant specification.
3. 350mA current capability.
4. Maximum reflow temperature is 250°C, 5 Sec.
5. UL certification: file number E321120

X:X	APPD:	Trxcom Huizhou Trxcom Electronics Co., Ltd.
X:XX ±0.25	CHKD:	
X:XXX	DR: Grant	TITLE: 10/100Base-TX VoIP Magnetics Modules For PoE Application
ANGLES ±1°	UNIT: mm	PART NO.: TRC2019ANL
	SCALE: 2/1	SHEET: 1/4
	REV: A	DWG NO.: TRC12032626

Schematic:

REV.	ECN NO.	DESCRIPTION	DATE	APPD
A	REL		2015-05-28	



Electrical Specifications @25°C

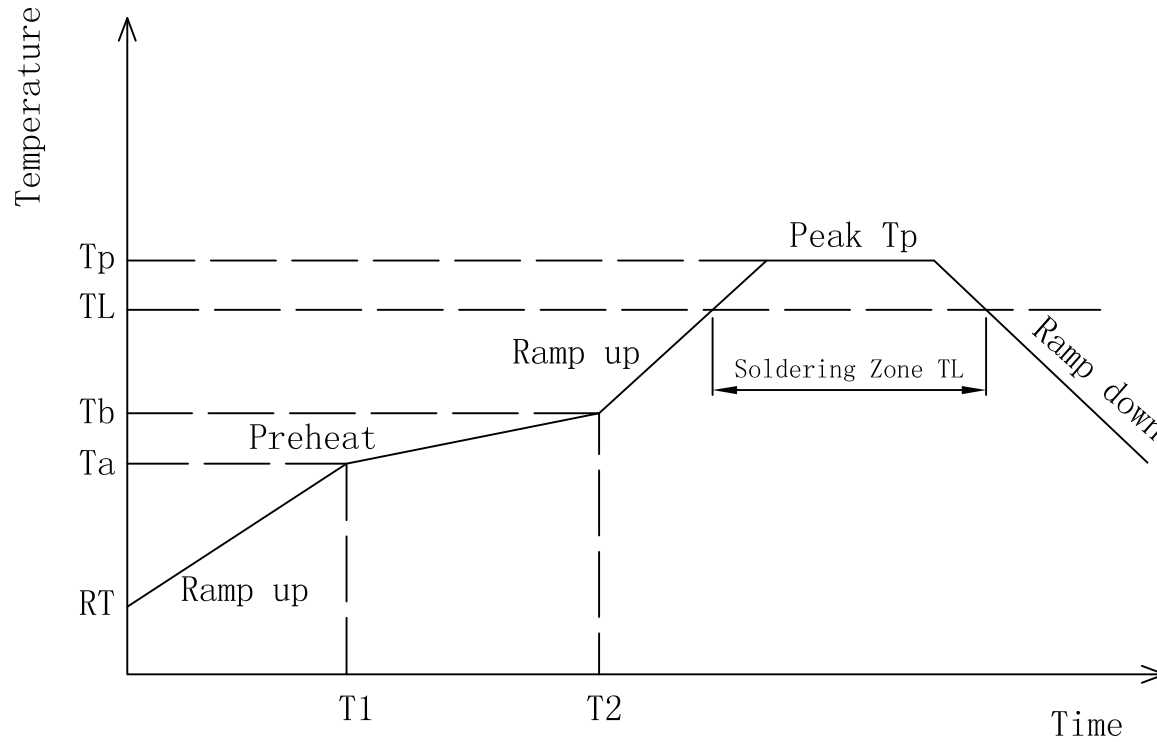
- Turns Ratio: $\pm 3\%$
TX=1CT:1CT RX=1CT:1CT
- Inductance OCL:
350uH MIN @ 100KHz 0.1V 8mA DC Bias
- Insertion Loss:
1-100MHz:-1.4dB MAX
- Return Loss (dB MIN) :
1-30MHz:-18 30-60MHz:-16
60-100MHz:-12
- Crosstalk (dB MIN) :
1-30MHz:-45 30-60MHz:-40
60-100MHz:-35
- DCMR (dB MIN) :
1-50MHz:-30 50-150MHz:-20
- Hipot: 1500Vrms
- Operating Temperature: -40°C ~ +85°C.
- Rated power: 15.4VA max.**



X:X	APPD:	Trxcom		
X:XX ±0.25	CHKD:	Huizhou Trxcom Electronics Co., Ltd.		
X:XXX	DR: Grant	TITLE: 10/100Base-TX VoIP Magnetics Modules For PoE Application		
ANGLES ±1°	UNIT: mm	PART NO.: TRC2019ANL		
	SCALE: 2/1	SHEET: 2/4	REV: A	DWG NO.: TRC12032626

IR Reflow:

REV.	ECN NO.	DESCRIPTION	DATE	APPD
A	REL		2015-05-28	



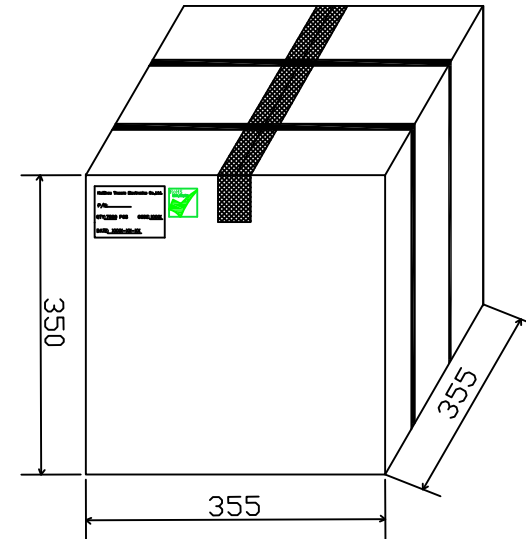
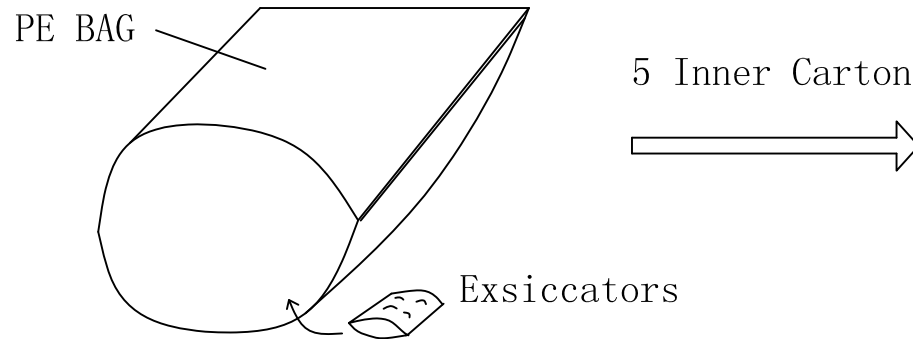
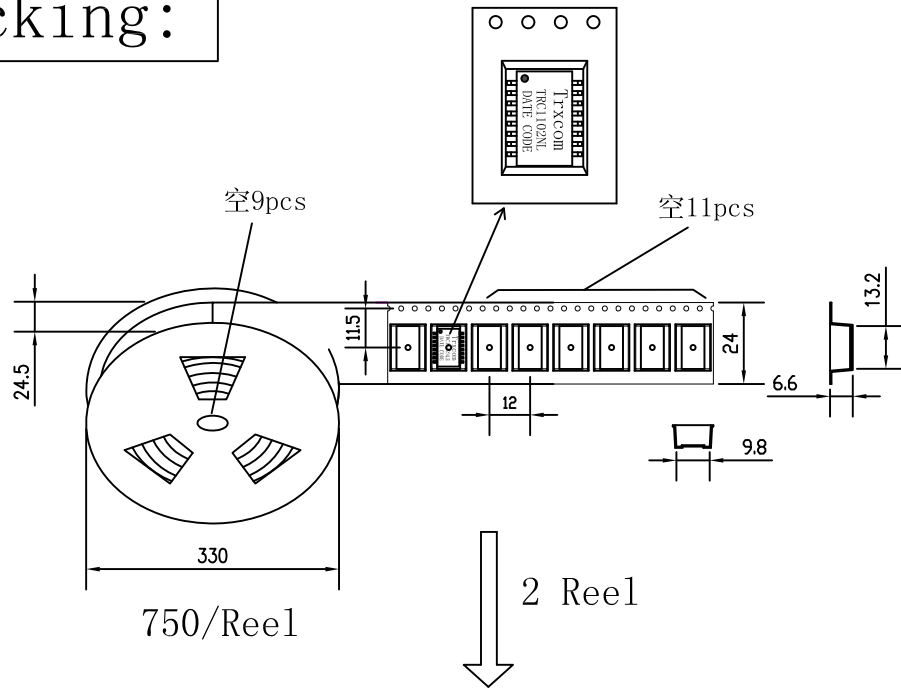
- ◆ Preheat:
Temperature (Ta-Tb) : 150-200°C
Time (t1-t2) : 60-180s
- ◆ Holding Temperature: 217°C
Time (TL) : 60-150s
- ◆ Max Temperature (Tp) : 250 (+0/-5°C)
Max Time (Tp) : 30s
- ◆ The average speed: 3°C/S Max
The average cooling speed: 6°C/S Max
- ◆ From 25°C to Products out of the furnace: 6 minutes Max



X:X	APPD:	Trxcom Huizhou Trxcom Electronics Co., Ltd.
X:XX ±0.25	CHKD:	
X:XXX	DR: Grant	TITLE: 10/100Base-TX VoIP Magnetics Modules For PoE Application
ANGLES ±1°	UNIT: mm	PART NO.: TRC2019ANL
	SCALE: 2/1	SHEET: 3/4
	REV: A	DWG NO.: TRC12032626

Packing:

REV.	ECN NO.	DESCRIPTION	DATE	APPD
B	REL		2015-05-25	



- ◆ Packaging unit: 750pcs/reel
- ◆ Packaging way: Carrier tape
- ◆ Outer carton unit: 7500pcs/5 Inner Carton/box
- ◆ Net Weight: 4.5 kg
- ◆ Gross Weight: 9 kg

X:X	APPD:	Trxcom		
X:XX ±0.25	CHKD:	HuiZhou Trxcom Electronics Co.,Ltd.		
X:XXX	DR: SEA	TITLE: 10/100Base-T Single Port Transformer Modules		
ANGLES ±1°	UNIT: mm	PART NO.: TRC2019ANL		
	SCALE: 2/1	SHEET: 4/4	REV: A	DWG NO.: TRC12032626