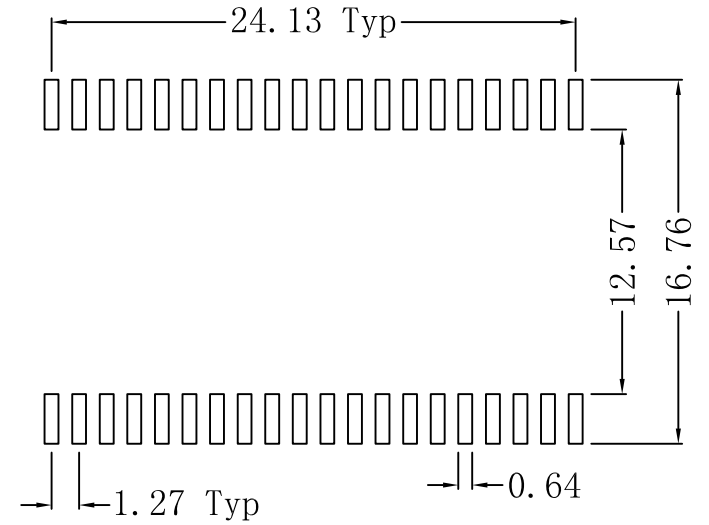
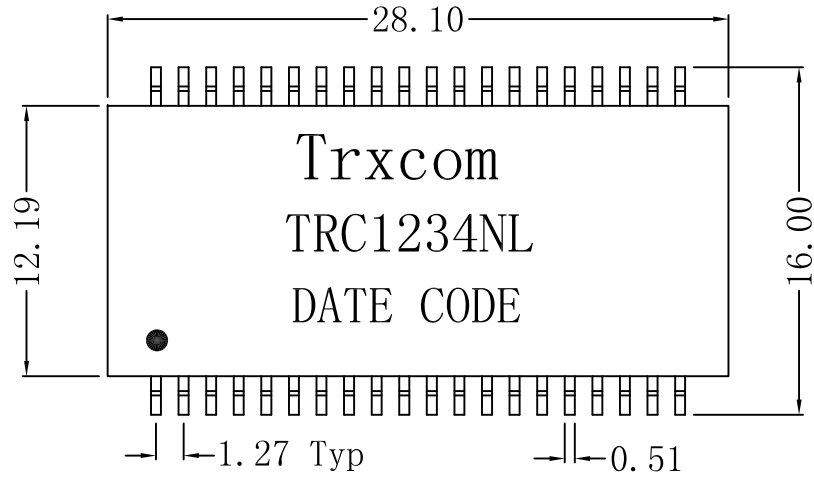
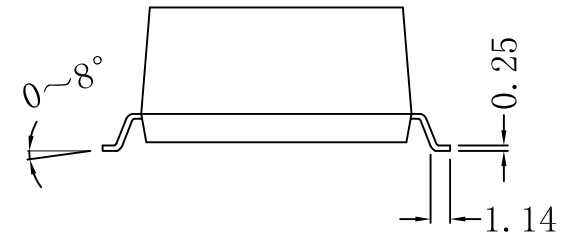
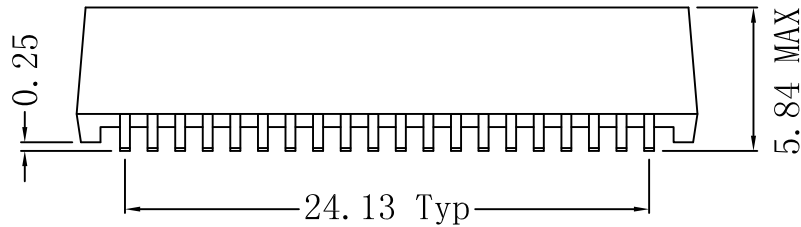


Mechanical:

REV.	ECN NO.	DESCRIPTION	DATE	APPD
A	REL		2010/05/13	



SUGGESTED PAD LAYOUT



NOTES:

1. Designed to support application, such as SOHO (ADSL modems), LAN-on-Motherboard (LOM), hub and Switches.
2. With various Turns Ratios.
3. Maximum reflow temperature is 250°C, 5 Sec.
4. UL Certification: File Number E321120.



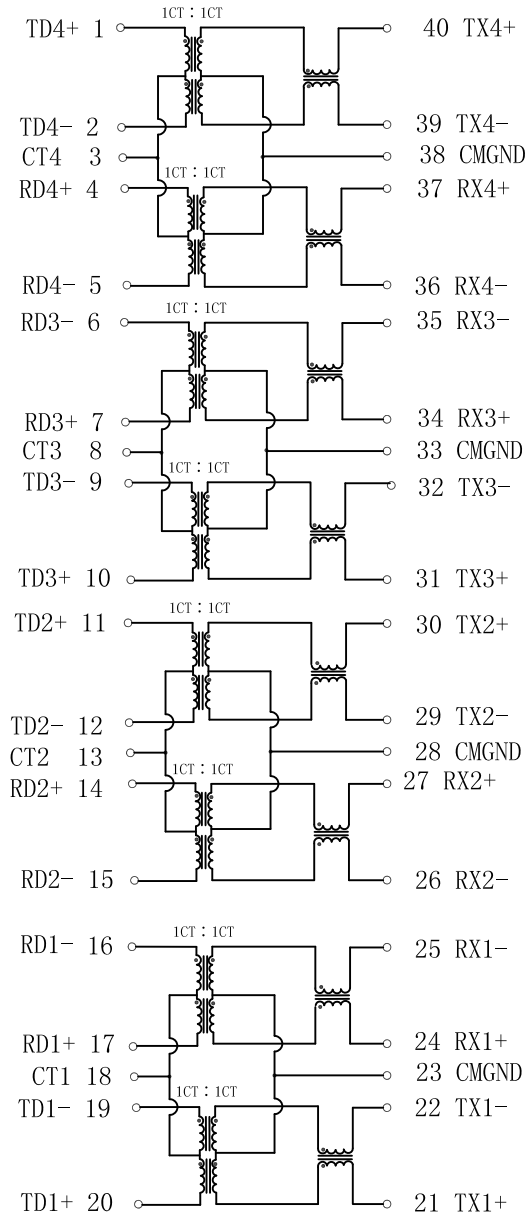
Dimensions: mm

Unless otherwise specified, all tolerances are ± 0.25

X:X	APPD:	Trxcom		
X:XX ± 0.25	CHKD:	Huizhou Trxcom Electronics Co., ltd		
X:XXX	DR: SEA	TITLE: 10/100Base-T Quad Port Transformer Modules		
ANGLES $\pm 1^\circ$	UNIT: mm	PART NO.: TRC1234NL		
	SCALE: 2/1	SHEET: 1/4	REV: A	DWG NO.: TRC10051308

Schematic:

REV.	ECN NO.	DESCRIPTION	DATE	APPD
A	REL		2010/05/13	



Electrical Specifications @25°C

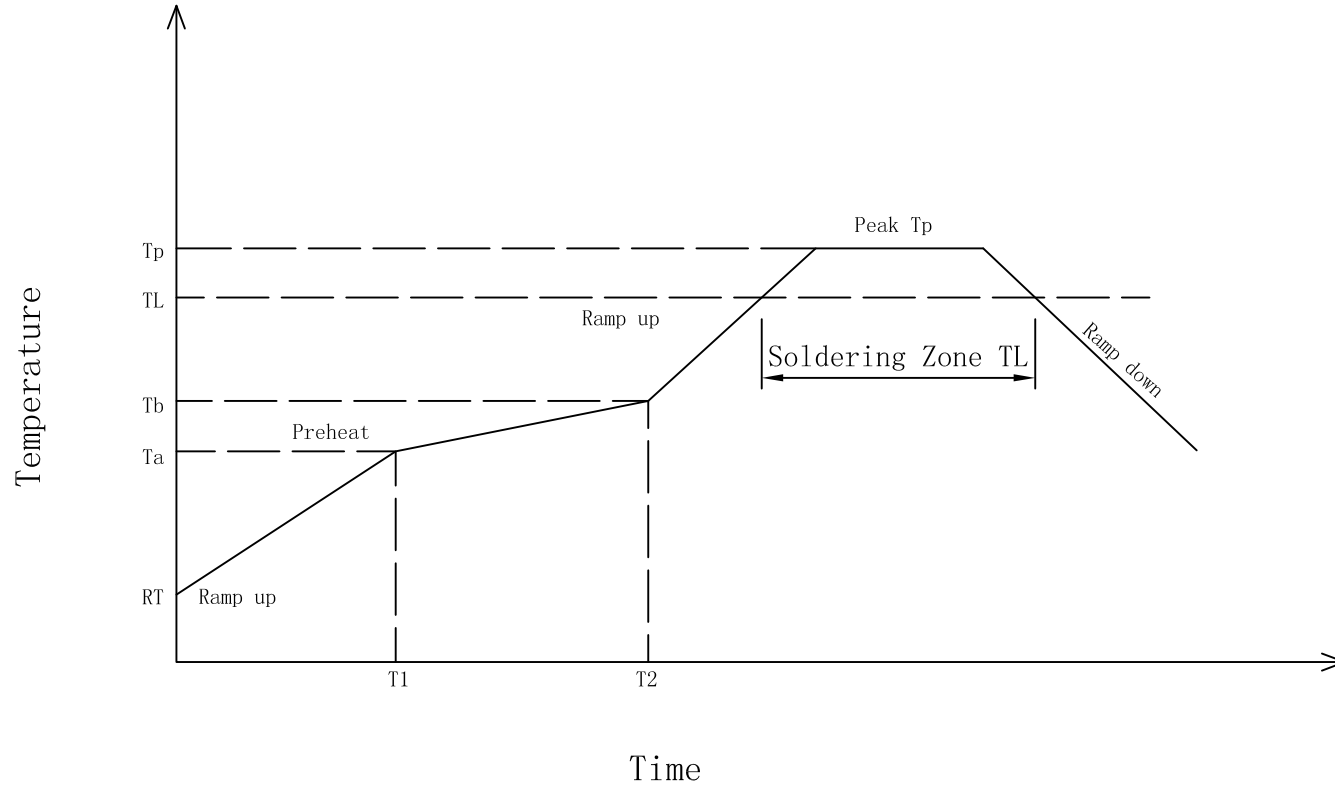
- Turns Ratio:
 TX = 1CT:1CT RX = 1CT:1CT
- OCL: 350uH MIN.
 @100KHz, 100mV, 8mADC Bias.
- Insertion Loss:
 0.1-100MHz:-1.4dB MAX
- Return Loss(dB MIN):
 2-30MHz:-18; 40MHz:-14.4
 50MHz:-13.1; 60-80MHz:-12
- Crosstalk(dB MIN):
 0.1MHz:-55; 30MHz:-45
 60MHz:-40; 100MHz:-33
- DCMR(dB MIN):
 1-60MHz:-37; 60-200MHz:-25
- Hipot: 1500Vrms
- Operating Temperature: -40°C ~ +85°C.



X:X	APPD:	Trxcom		
X:XX ±0.25	CHKD:	Huizhou Trxcom Electronics Co.,ltd		
X:XXX	DR: SEA	TITLE: 10/100Base-T Quad Port Transformer Modules		
ANGLES ±1°	UNIT: mm	PART NO.: TRC1234NL		
	SCALE: 2/1	SHEET: 2/4	REV: A	DWG NO.: TRC10051308

IR Reflow:

REV.	ECN NO.	DESCRIPTION	DATE	APPD
A	REL		2010/05/13	



Preheat:
 Temperature (Ta-Tb) : 150-200°C
 Time (T1-T2) : 60-180s

Holding Temperature: 217°C
 Time (TL) : 60-150s

Max Temperature (Tp) : 250 (+0/-5°C)
 Max Time (Tp) : 30s

The average speed: 3°C/S Max
 The average cooling speed: 6°C/S Max

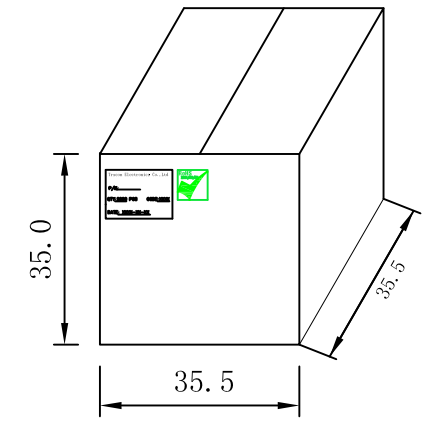
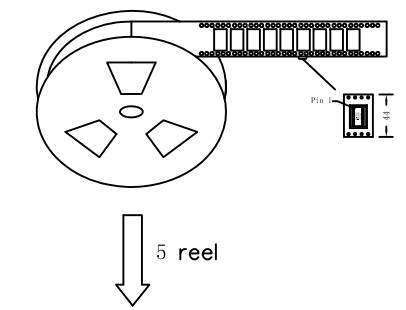
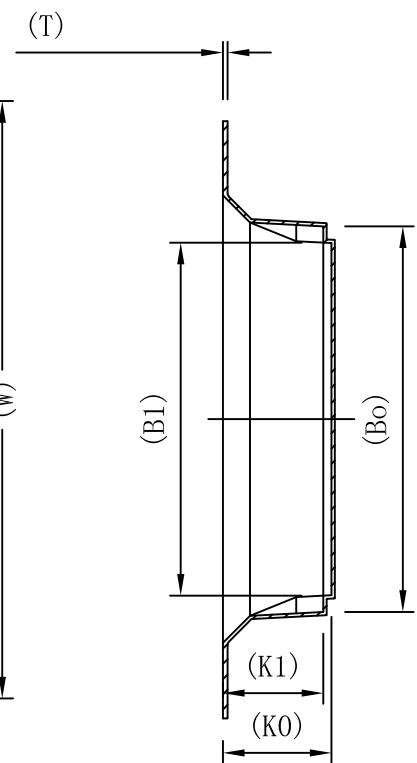
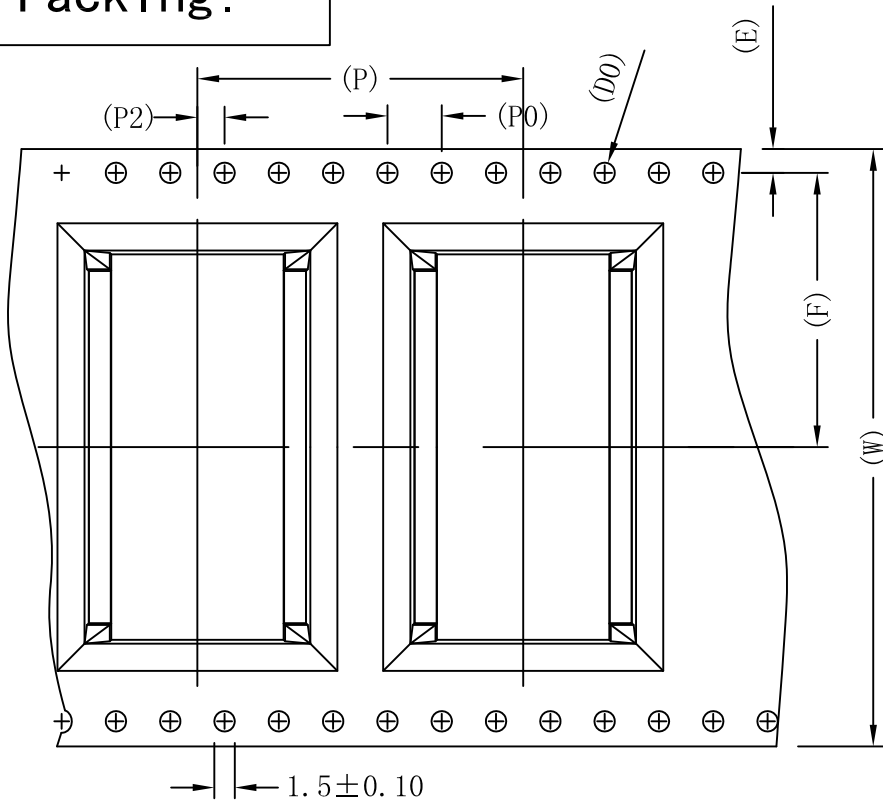
From 25°C to Products out of the furnace: 6 minutes Max



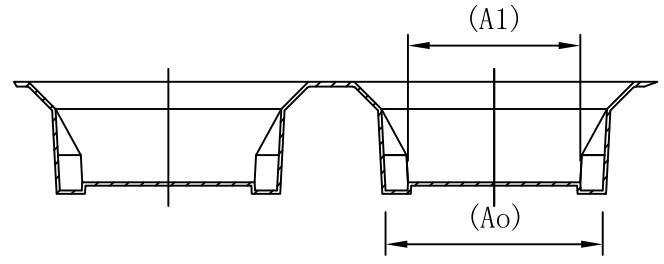
X:X	APPD:	Trxcom Huizhou Trxcom Electronics Co., ltd
X:XX ±0.25	CHKD:	
X:XXX	DR: SEA	TITLE: 10/100Base-T Quad Port Transformer Modules
ANGLES ±1°	UNIT: mm	PART NO.: TRC1234NL
	SCALE: 2/1	SHEET: 3/4
	REV: A	DWG NO.: TRC10051308

Packing:

REV.	ECN NO.	DESCRIPTION	DATE	APPD
A	REL		2010/05/13	



- ◆ Packaging unit: 400pcs/reel
- ◆ Outer carton unit: 2000pcs/5 reel/box
- ◆ Net Weight: 10 kg
- ◆ Gross Weight: 13 kg



ITEM	W	A _o	B _o	D _o	A ₁	K _o	P	F	T	P _o	P ₂	E
DIM	44.0 ^{+0.30} _{-0.30}	17.0 ^{+0.10} _{-0.10}	28.45 ^{+0.10} _{-0.10}	1.50 ^{+0.10} _{-0.00}	12.3 ^{+0.10} _{-0.10}	6.60 ^{+0.10} _{-0.10}	24.0 ^{+0.10} _{-0.10}	20.2 ^{+0.10} _{-0.10}	0.40 ^{+0.05} _{-0.05}	4.00 ^{+0.10} _{-0.10}	2.00 ^{+0.10} _{-0.10}	1.75 ^{+0.10} _{-0.10}
ALTERNATE												

1. 10sprocket hole pitch cumulative tolerance ±0.2mm.
2. carrier camber not to exceed 1mm in 250mm.
3. All dimensions meet EIA-481-D requirements.
4. Material: Black Anti-static Polysyrene.
5. Thickness: 0.40±0.05mm.
6. Packing length per 13" reel: 400pcs/10.08 Meters.

X:X	APPD:	Trxcom Huizhou Trxcom Electronics Co., ltd
X:XX ±0.25	CHKD:	
X:XXX	DR: SEA	
ANGLES ±1°	UNIT: mm	TITLE: 10/100Base-T Quad Port Transformer Modules
		PART NO.: TRC1234NL
	SCALE: 2/1	SHEET: 4/4
	REV: A	DWG NO.: TRC10051308