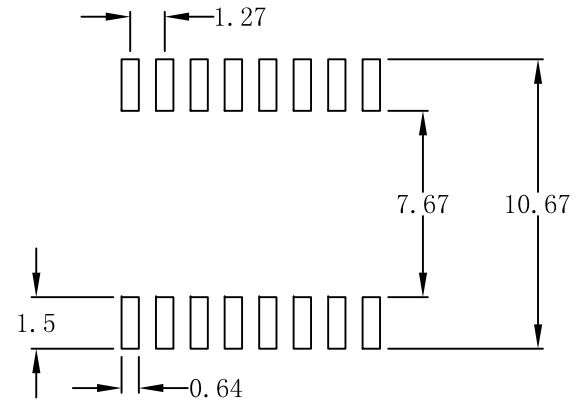
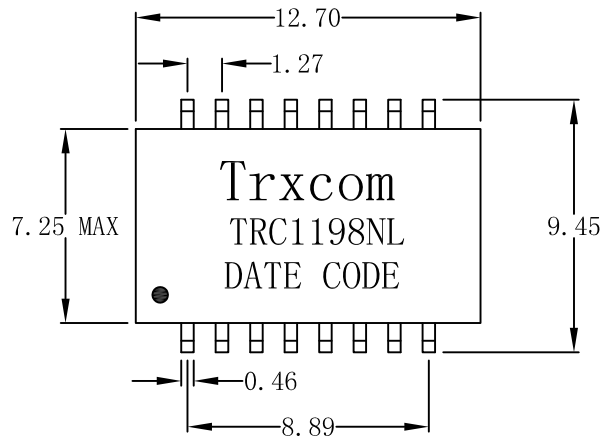
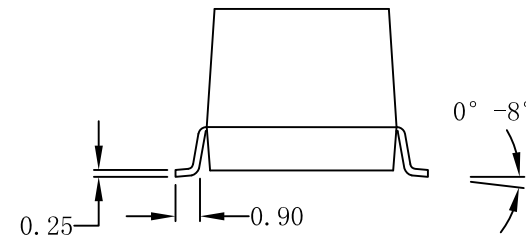
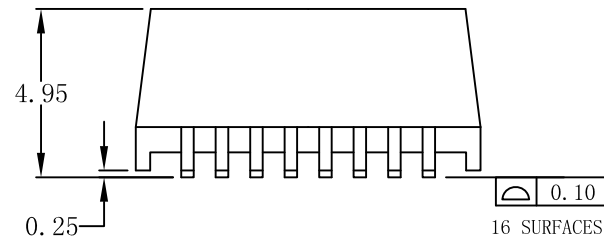


Mechanical :

| REV. | ECN NO. | DESCRIPTION | DATE | APPD |
|------|---------|-------------|------------|------|
| B | REL | | 2015-06-09 | |



SUGGESTED PAD LAYOUT



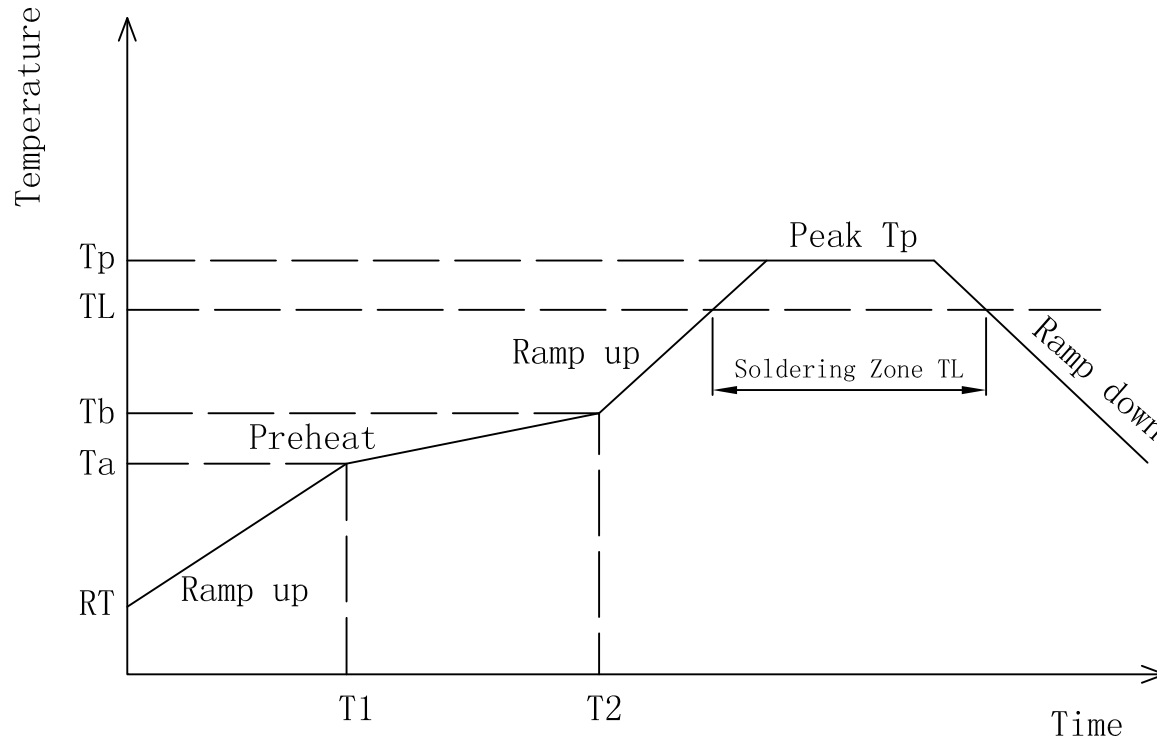
NOTES:

1. Designed to support application, such as SOHO (ADSL modems), LAN-on-Motherboard (LOM), hub and Switches.
2. Meets IEEE 802.3 specification.
3. Maximum reflow temperature is 250°C, 5 Sec.
4. UL certification: file number E321120

| | | | | |
|------------|------------|---|--------|----------------------|
| X:X | APPD: | Trxcom | | |
| X:XX ±0.25 | CHKD: | Huizhou Trxcom Electronics Co., Ltd. | | |
| X:XXX | DR: SEA | TITLE: 10/100Base-T Single Port Transformer Modules | | |
| ANGLES ±1° | UNIT: mm | PART NO.: TRC1198NL | | |
| | SCALE: 2/1 | SHEET: 1/4 | REV: B | DWG NO.: TRC10011915 |

IR Reflow:

| REV. | ECN NO. | DESCRIPTION | DATE | APPD |
|------|---------|-------------|------------|------|
| B | REL | | 2015-06-09 | |



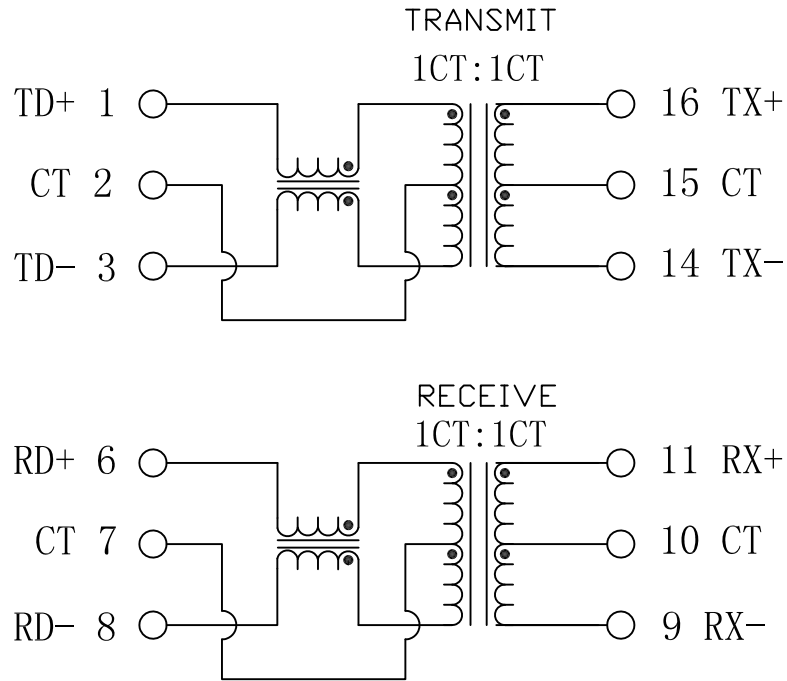
- ◆ Preheat:
Temperature (Ta-Tb) : 150-200°C
Time (t1-t2) : 60-180s
- ◆ Holding Temperature: 217°C
Time (TL) : 60-150s
- ◆ Max Temperature (Tp) : 250 (+0/-5°C)
Max Time (Tp) : 30s
- ◆ The average speed: 3°C/S Max
The average cooling speed: 6°C/S Max
- ◆ From 25°C to Products out of the furnace: 6 minutes Max



| | | |
|------------|------------|---|
| X:X | APPD: | Trxcom Huizhou Trxcom Electronics Co., Ltd. |
| X:XX ±0.25 | CHKD: | |
| X:XXX | DR: SEA | TITLE: 10/100Base-T Single Port Transformer Modules |
| ANGLES ±1° | UNIT: mm | PART NO.: TRC1198NL |
| | SCALE: 2/1 | SHEET: 3/4 |
| | REV: B | DWG NO.: TRC10011915 |

Schematic:

| REV. | ECN NO. | DESCRIPTION | DATE | APPD |
|------|---------|-------------|------------|------|
| B | REL | | 2015-06-09 | |



Electrical Specification @25°C

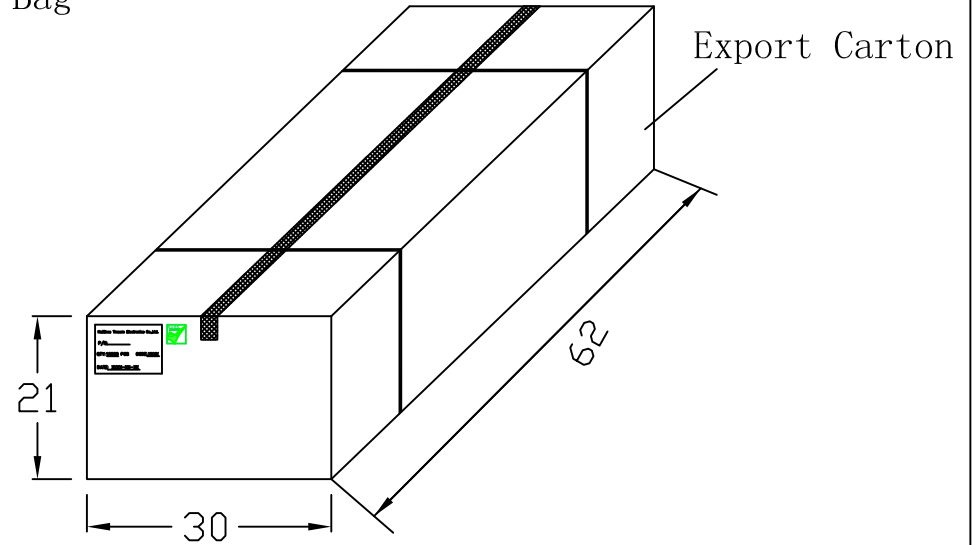
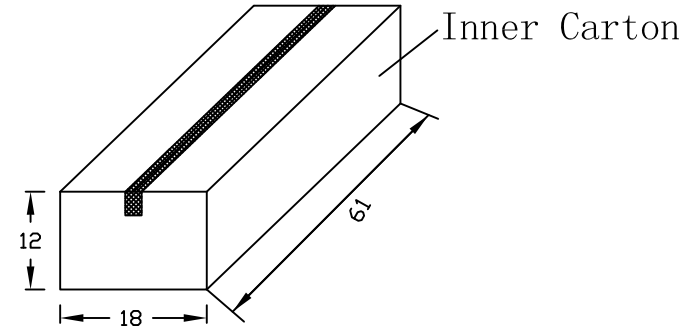
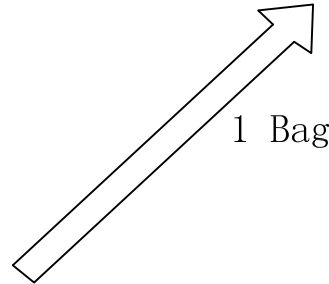
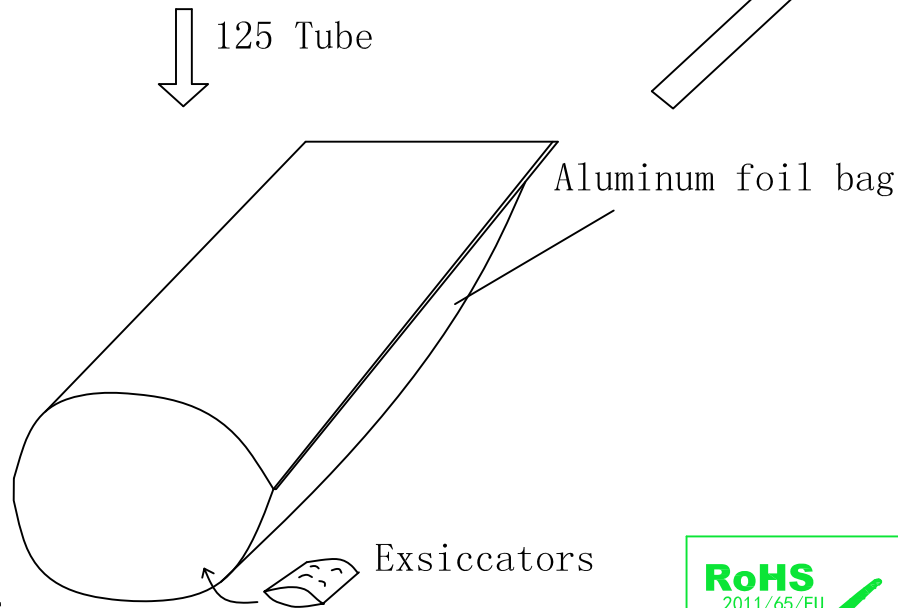
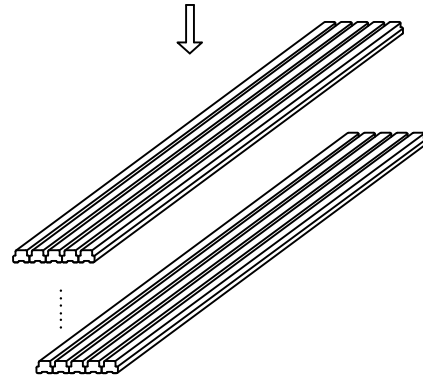
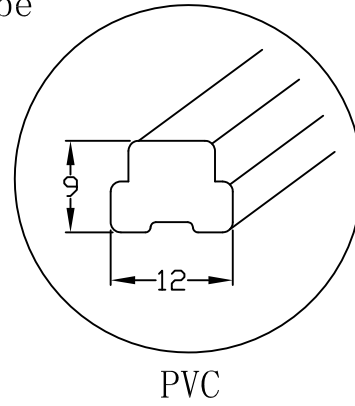
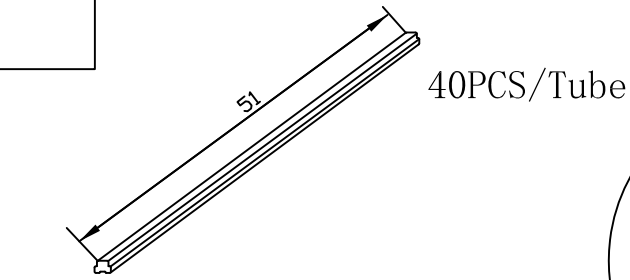
- Turns Ratio:
TX=1CT:1CT RX=1CT:1CT
- Insertion Loss:
0.1-100MHz:-1.0dB max
- Return Loss(dB TYP):
30MHz:-20 60MHz:-14
80MHz:-12
- Crosstalk(dB TYP):
30MHz:-45 60MHz:-40
100MHz:-35
- DCMR(dB TYP):
30MHz:-42 50MHz:-37
100MHz:-32
- Isolation Voltage:1500Vrms MIN
- Operating Temperature:-40~+85°C.



| | | |
|---------------|------------|--|
| X:X | APPD: | Trxcom Huizhou Trxcom Electronics Co.,Ltd. |
| X:XX ±0.25 | CHKD: | |
| X:XXX | DR: SEA | TITLE: 10/100Base-T Single Port Transformer Modules |
| ANGLES ±1° | UNIT: mm | PART NO.: TRC1198NL |
| | SCALE: 2/1 | SHEET: 2/4 |
| | REV: B | DWG NO.: TRC10011915 |

Packing:

| REV. | ECN NO. | DESCRIPTION | DATE | APPD |
|------|---------|-------------|------------|------|
| B | REL | | 2015-06-09 | |



- ◆ 1 Tube = 40PCS
- ◆ 1 Inner Carton = 125Tube =5000PCS
- ◆ 1 Export Carton = 2 Inner Carton =10000PCS
- ◆ Net Weight: 10kg
- ◆ Gross Weight: 17kg



| | | | | |
|------------|------------|---|--------|----------------------|
| X:X | APPD: | Trxcom | | |
| X:XX ±0.25 | CHKD: | Huizhou Trxcom Electronics Co.,Ltd. | | |
| X:XXX | DR: SEA | TITLE: 10/100Base-T Single Port Transformer Modules | | |
| ANGLES ±1° | UNIT: mm | PART NO.: TRC1198NL | | |
| | SCALE: 2/1 | SHEET: 4/4 | REV: B | DWG NO.: TRC10011915 |