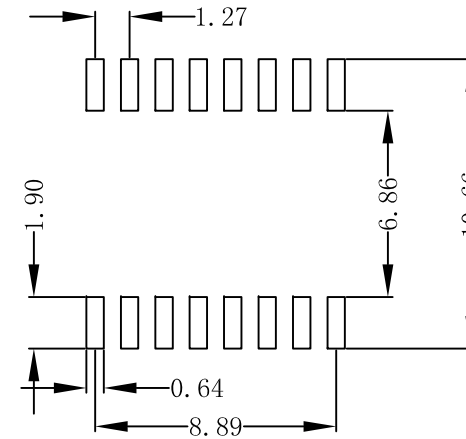
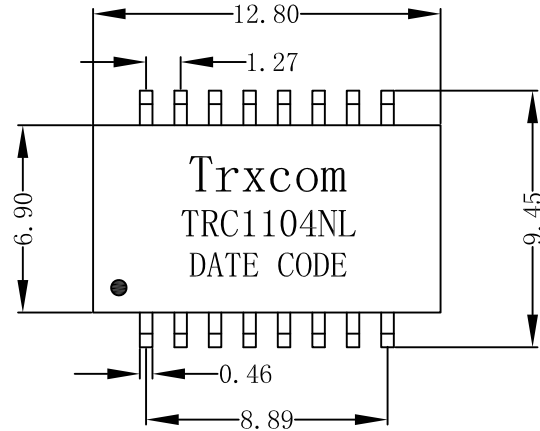
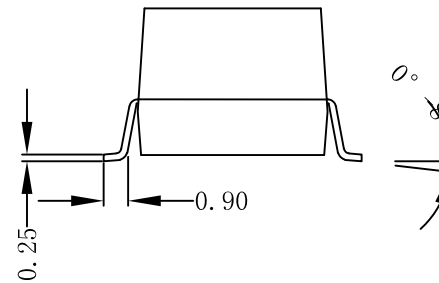
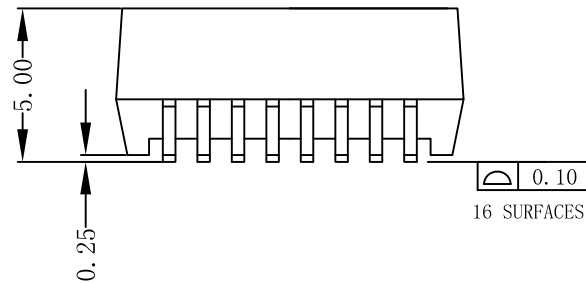


# Mechanical :

REV.	ECN NO.	DESCRIPTION	DATE	APPD
A	REL		2015-05-25	



SUGGESTED PAD LAYOUT



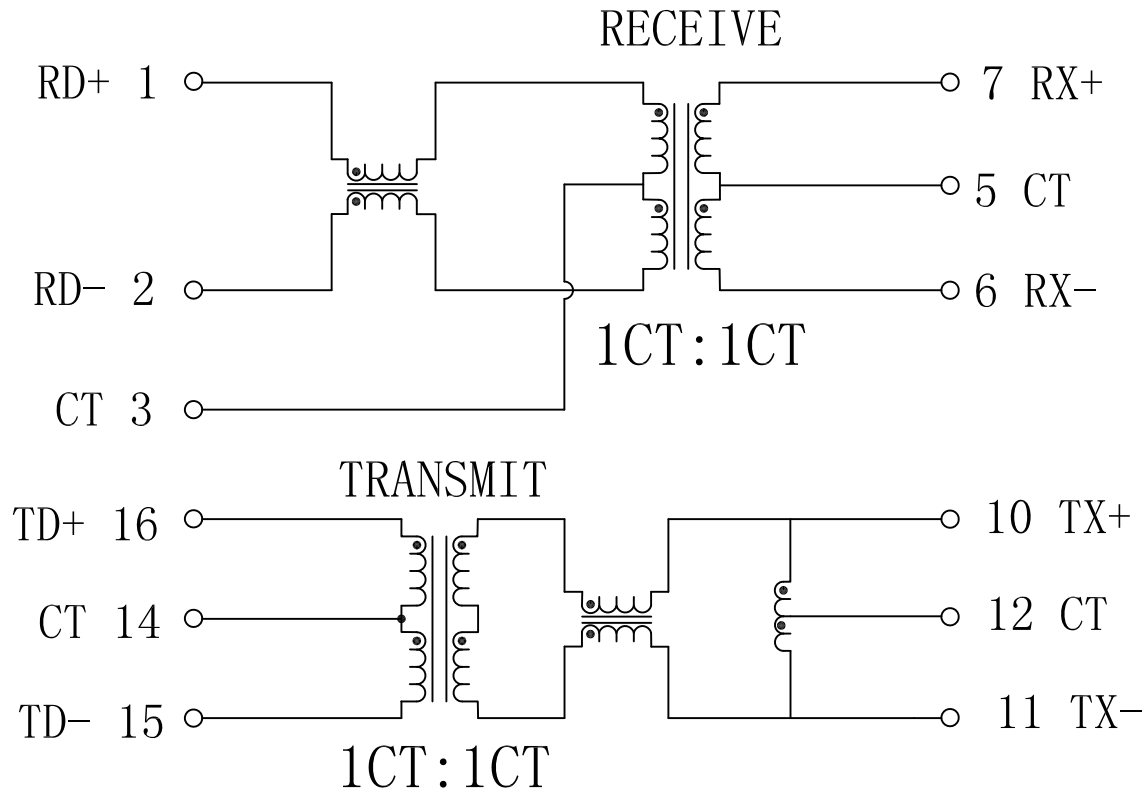
## NOTES:

1. Designed to support application, such as SOHO (ADSL modems), LAN-on-Motherboard (LOM), hub and Switches.
2. Meets IEEE 802.3 specification.
3. Maximun reflow temperature is 250°C, 5 Sec.
4. UL certification: file number E321120
5. Compliance with RoHS (2.0) Environmental Requirements (2011/65/EU, 2015/863/EU)

X:X	APPD:	<b>Trxcom</b>		
X:XX ±0.25	CHKD:	Huizhou Trxcom Electronics Co., Ltd.		
X:XXX	DR: SEA	TITLE: 10/100Base-T Single Port Transformer Modules		
ANGLES ±1°	UNIT: mm	PART NO.: TRC1104NL		
	SCALE: 2/1	SHEET: 1/4	REV: A	DWG NO.: TRC15052535

# Schematic:

REV.	ECN NO.	DESCRIPTION	DATE	APPD
A	REL		2015-05-25	



## Electrical Specifications @25°C

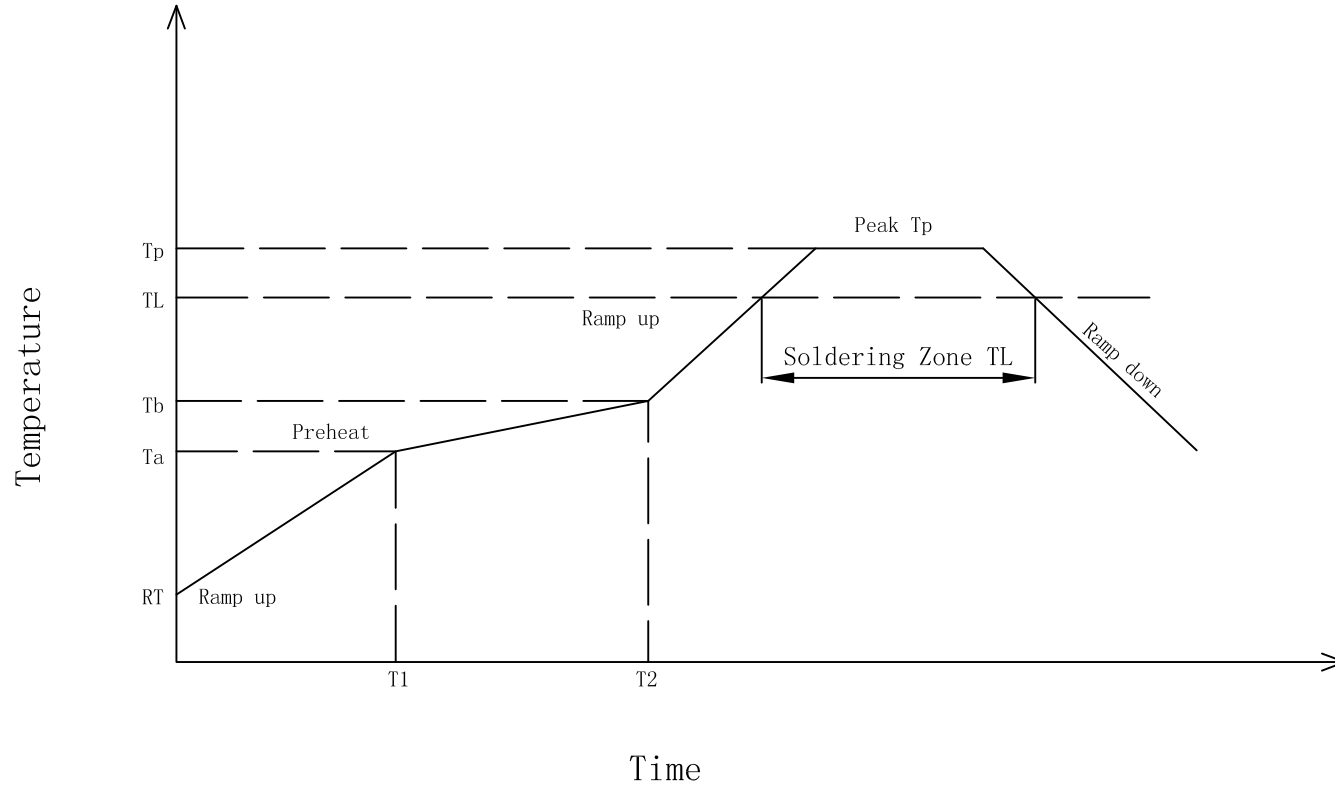
- Insertion Loss:  
0.1-100MHz:-1.0dB MAX
- Return Loss(dB MIN @100Ω):  
1-30MHz:-20      40MHz:-20  
50MHz:-18      60-80MHz:-14
- Crosstalk(dB TYP):  
30MHz:-50      60MHz:-40  
100MHz:-40
- DCMR(dB MIN):  
30MHz:-42      60MHz:-36  
100MHz:-33
- Hipot: 1500Vrms MIN
- Operating Temperature:0~70°C



X:X	APPD:	<b>Trxcom</b>		
X:XX ±0.25	CHKD:	Huizhou Trxcom Electronics Co.,Ltd.		
X:XXX	DR: SEA	TITLE: 10/100Base-T Single Port Transformer Modules		
ANGLES ±1°	UNIT: mm	PART NO.: TRC1104NL		
	SCALE: 2/1	SHEET: 2/4	REV: A	DWG NO.: TRC15052535

# IR Reflow:

REV.	ECN NO.	DESCRIPTION	DATE	APPD
A	REL		2015-05-25	



Preheat:  
 Temperature ( $T_a$ - $T_b$ ) : 150-200°C  
 Time ( $T_1$ - $T_2$ ) : 60-180s

Holding Temperature: 217°C  
 Time (TL) : 60-150s

Max Temperature ( $T_p$ ) : 250 (+0/-5°C)  
 Max Time ( $T_p$ ) : 30s

The average speed: 3°C/S Max  
 The average cooling speed: 6°C/S Max

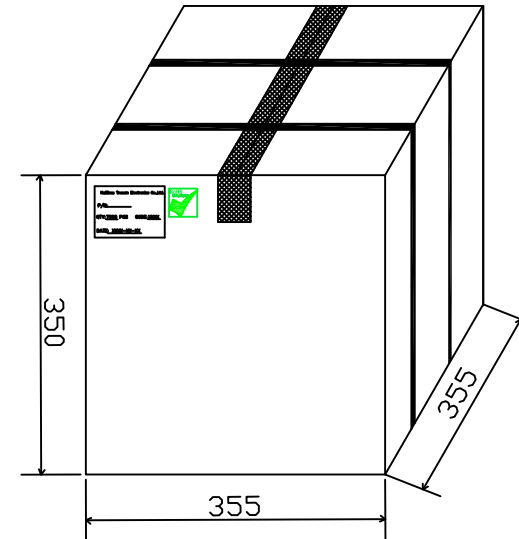
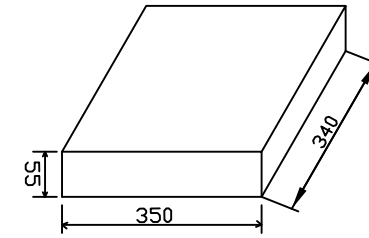
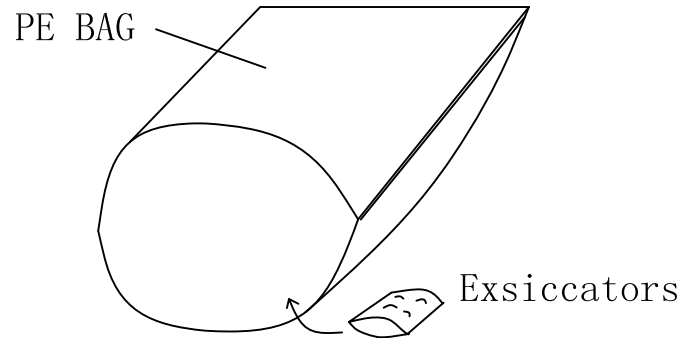
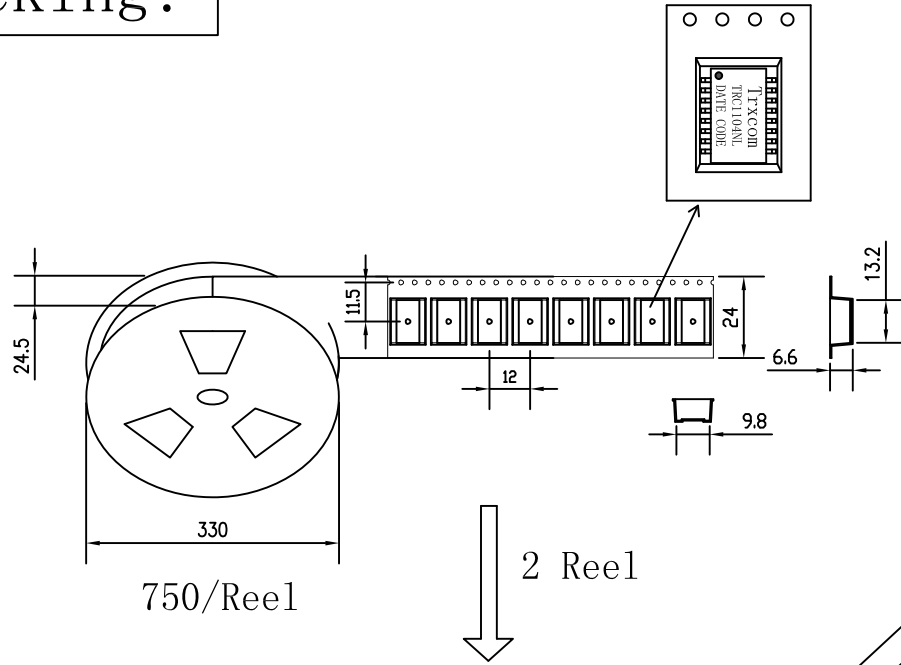
From 25°C to Products out of the furnace: 6 minutes Max



X:X	APPD:	<b>Trxcom</b>		
X:XX ±0.25	CHKD:	Huizhou Trxcom Electronics Co., Ltd.		
X:XXX	DR: SEA	TITLE: 10/100Base-T Single Port Transformer Modules		
ANGLES ±1°	UNIT: mm	PART NO. :		
	SCALE: 2/1	SHEET: 3/4	REV: A	DWG NO. :

# Packing:

REV.	ECN NO.	DESCRIPTION	DATE	APPD
B	REL		2015-05-25	



- ◆ Packaging unit : 750 pcs/ reel
- ◆ Packaging way : Carrier tape
- ◆ Outer carton unit : 7500 pcs/5 Inner Carton/box
- ◆ Net Weight : 4.5 kg
- ◆ Gross Weight : 9 kg

X:X	APPD:	<b>Trxcom</b>		
X:XX ±0.25	CHKD:	Huizhou Trxcom Electronics Co.,Ltd.		
X:XXX	DR: SEA	TITLE: 16 pins 12.80mm SMT transformer		
ANGLES ±1°	UNIT: mm	PART NO. : TRC1104NL		
	SCALE: 2/1	SHEET: 4/4	REV: A	DWG NO. : TRC15052535