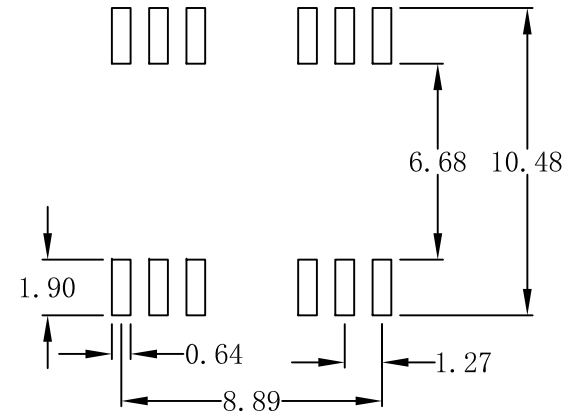
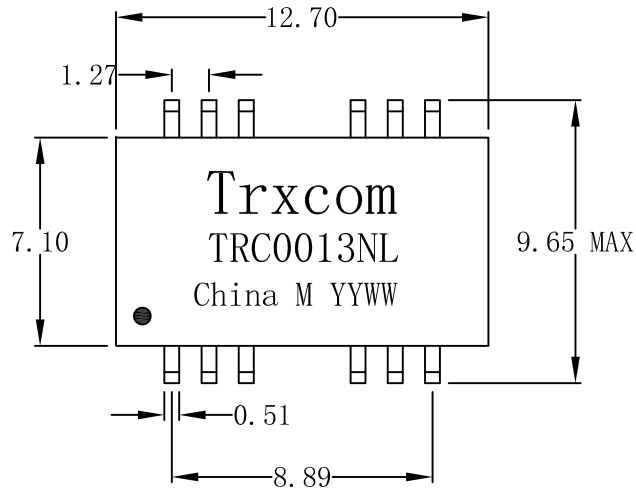
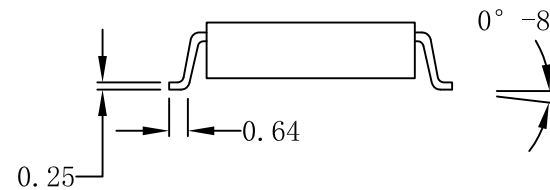
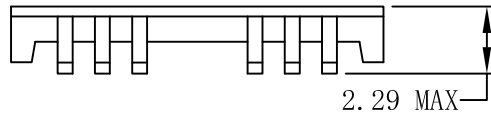


# Mechanical :

REV.	ECN NO.	DESCRIPTION	DATE	APPD
A	REL		2015-06-09	



SUGGESTED PAD LAYOUT



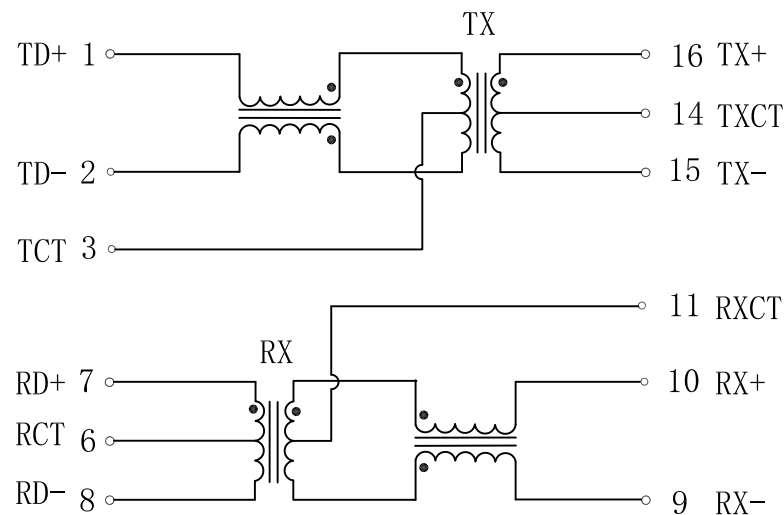
## NOTES:

1. Designed to support application, such as SOHO (ADSL modems), LAN-on-Motherboard (LOM), hub and Switches.
2. Meets IEEE 802.3 specification.
3. Maximum reflow temperature is 250°C, 5 Sec.
4. UL certification: file number E321120

X:X	APPD:	Trxcom		
X:XX ±0.25	CHKD:	HuiZhou Trxcom Electronics Co.,Ltd.		
X:XXX	DR: GRANT	TITLE: 10/100Base-T Single Port Transformer Modules		
ANGLES ±1°	UNIT: mm	PART NO.: TRC0013NL		
	SCALE: 4/1	SHEET: 1/4	REV: A	DWG NO.: TRC13021601

# Schematic:

REV.	ECN NO.	DESCRIPTION	DATE	APPD
A	REL		2015-06-09	



## ELECTRICAL SPECIFICATIONS @25°C

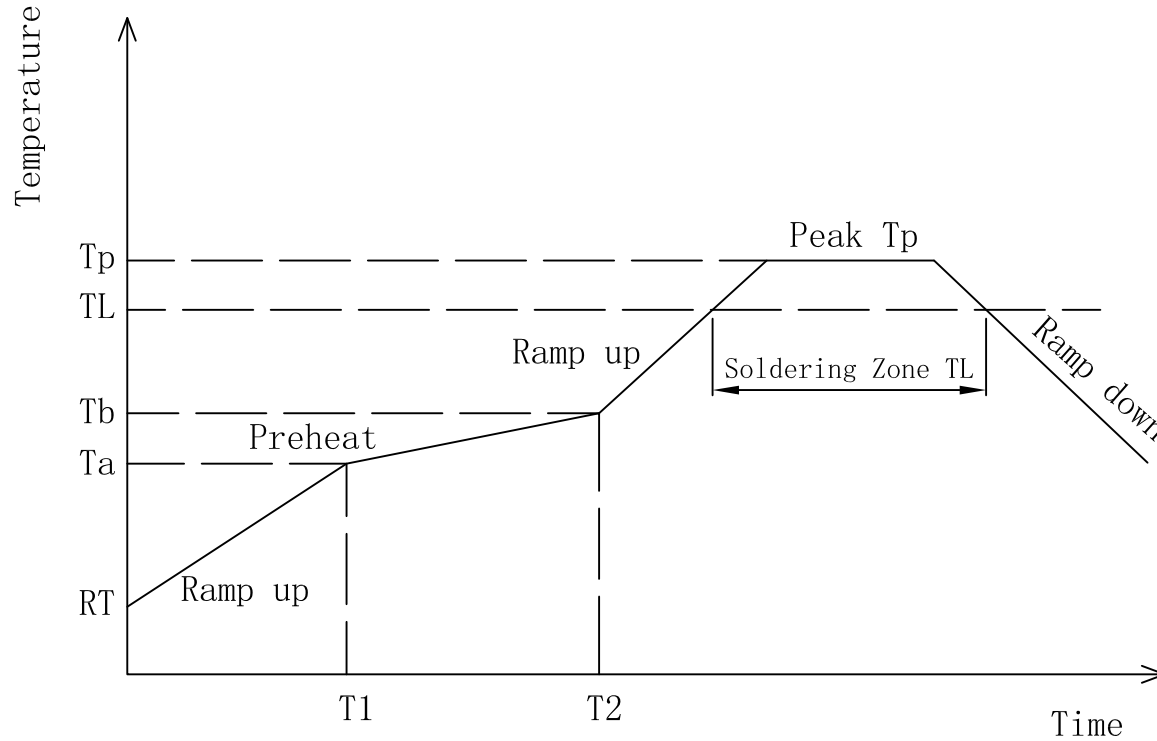
- Turn Ratio( $\pm 3\%$ ):  
TX=1CT:1CT      RX=1CT:1CT
- Inductance OCL:  
350uH MIN @ 100KHz 0.1V
- DCR: 1.2  $\Omega$  MAX
- Insertion Loss:  
-1.1dB MAX @ 1-100MHz
- Return Loss:  
-18dB MIN @ 1-30MHz  
-14dB MIN @ 30-40MHz  
-13dB MIN @ 40-50MHz  
-12dB MIN @ 60-80MHz
- Cross talk:  
-40dB MIN @ 1-30MHz  
-35dB MIN @ 60-100MHz
- Common Mode Rejection:  
-40dB MIN @ 1-30MHz  
-35dB MIN @ 30-60MHz  
-30dB MIN @ 80-100MHz
- Hipot Test: 1500Vrms
- Operating Temperature Range: 0°C TO 70°C



X:X	APPD:	Trxcom		
X:XX $\pm 0.25$	CHKD:	HuiZhou Trxcom Electronics Co.,Ltd.		
X:XXX	DR: GRANT	TITLE: 10/100Base-T Single Port Transformer Modules		
ANGLES $\pm 1^\circ$	UNIT: mm	PART NO.: TRC0013NL		
	SCALE: 4/1	SHEET: 2/4	REV: A	DWG NO.: TRC13021601

# IR Reflow:

REV.	ECN NO.	DESCRIPTION	DATE	APPD
A	REL		2015-06-09	



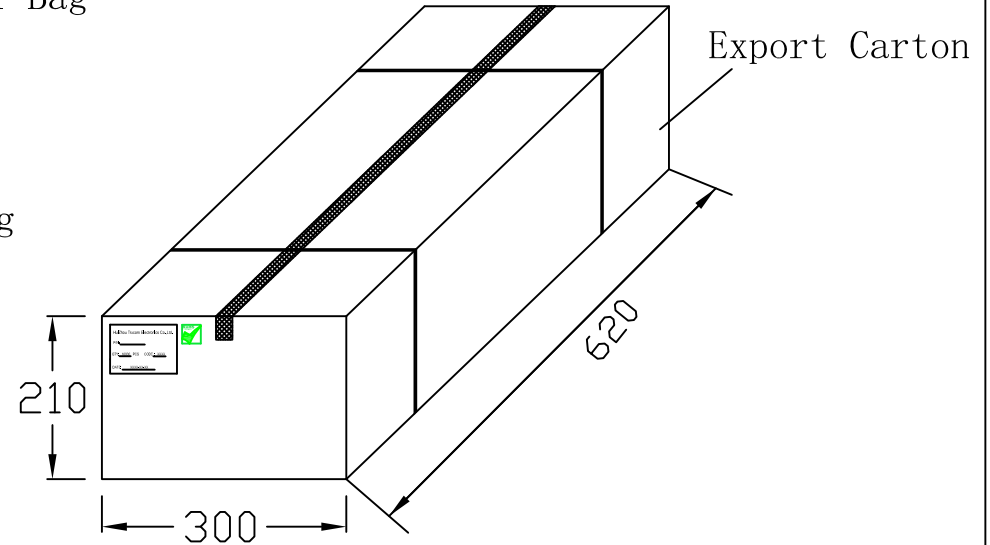
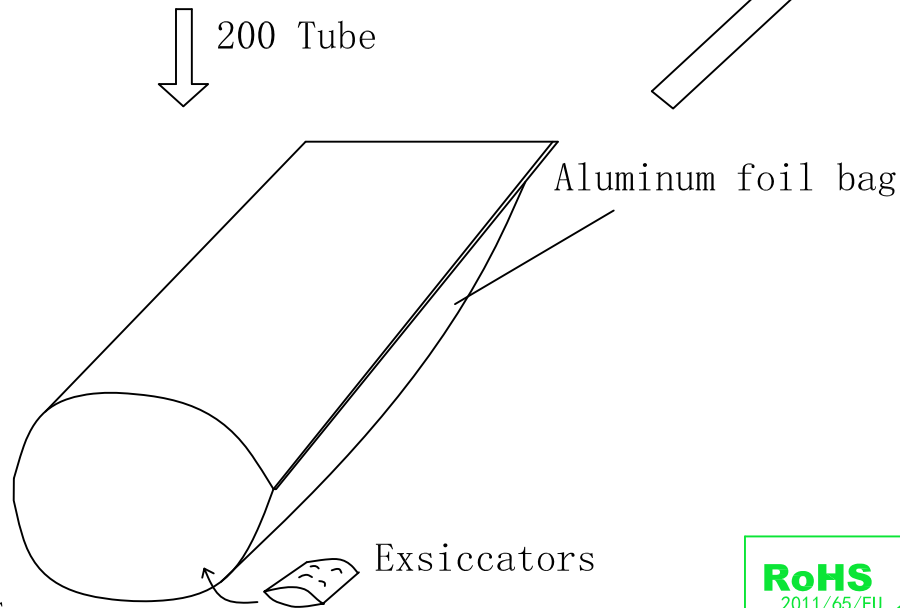
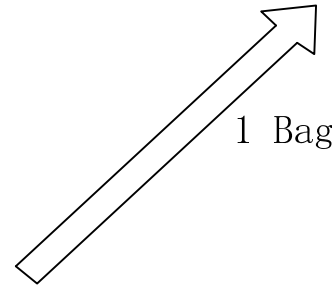
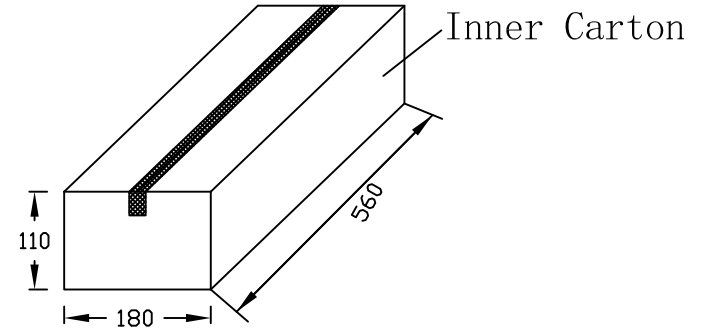
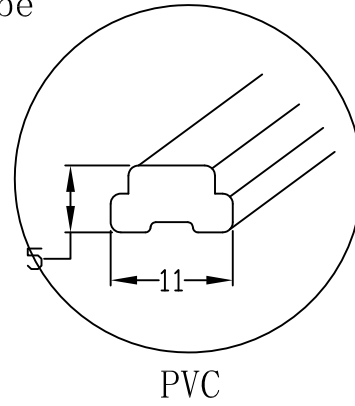
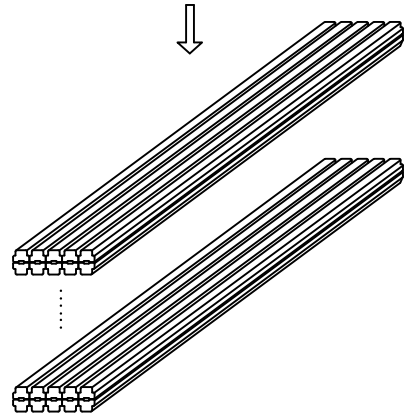
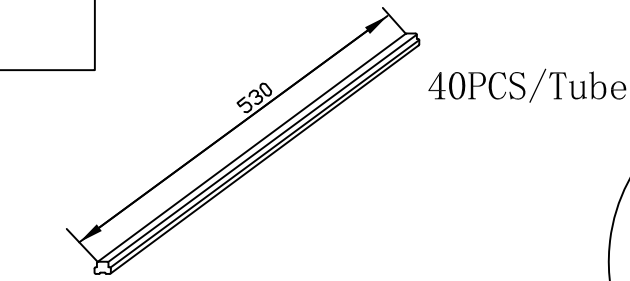
- ◆ Preheat:  
Temperature (Ta-Tb) : 150-200°C  
Time (t1-t2) : 60-180s
- ◆ Holding Temperature: 217°C  
Time (TL) : 60-150s
- ◆ Max Temperature (Tp) : 250 (+0/-5°C)  
Max Time (Tp) : 30s
- ◆ The average speed: 3°C/S Max  
The average cooling speed: 6°C/S Max
- ◆ From 25°C to Products out of the furnace: 6 minutes Max



X:X	APPD:	Trxcom		
X:XX	±0.25	CHKD:	HuiZhou Trxcom Electronics Co., Ltd.	
X:XXX		DR: GRANT	TITLE: 10/100Base-T Single Port Transformer Modules	
ANGLES	±1°	UNIT: mm	PART NO.: TRC0013NL	
	SCALE: 4/1	SHEET: 3/4	REV: A	DWG NO.: TRC13021601

# Packing:

REV.	ECN NO.	DESCRIPTION	DATE	APPD
A	REL		2015-06-09	



- ◆ 1 Tube = 40PCS
- ◆ 1 Inner Carton = 200Tube =8000PCS
- ◆ 1 Export Carton = 2 Inner Carton =16000PCS
- ◆ Net Weight: 10kg
- ◆ Gross Weight: 17kg



X:X	APPD:	Trxcom		
X:XX	±0.25	CHKD:	HuiZhou Trxcom Electronics Co.,Ltd.	
X:XXX		DR: GRANT	TITLE: 10/100Base-T Single Port Transformer Modules	
ANGLES	±1°	UNIT: mm	PART NO.: TRC0013NL	
	SCALE: 4/1	SHEET: 4/4	REV: A	DWG NO.: TRC13021601