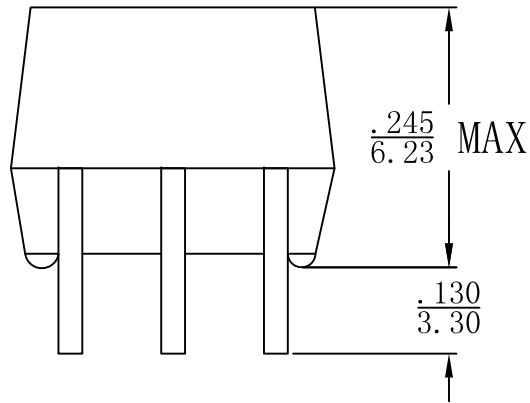
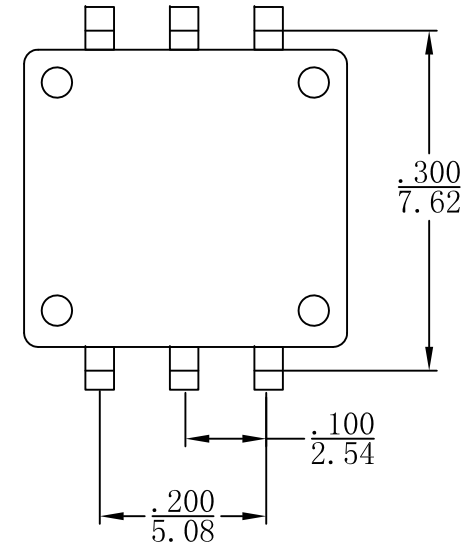
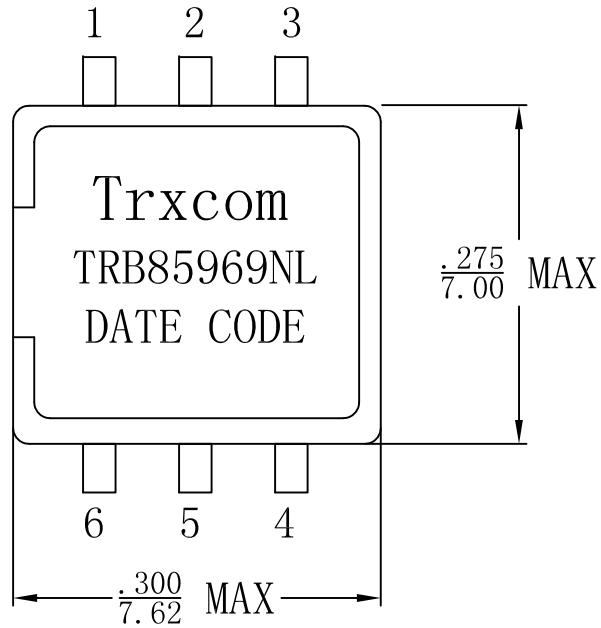


Mechanical :

REV.	ECN NO.	DESCRIPTION	DATE	APPD
A	REL		17/08/2007	



NOTES:

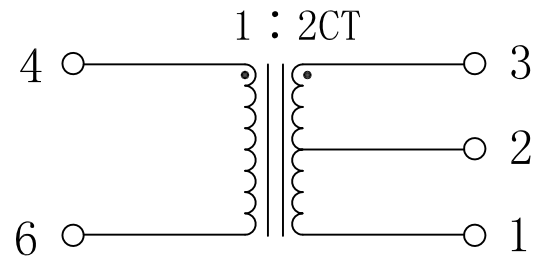
1. T3/DS3/E3/STS-1 Transformer
2. With various turns ratios.
3. The part is RoHS compliant.
4. RoHS "NL" peak solder rating 250°C.
5. UL Certification: File Number E321120.



X:X	APPD:	Trxcom	
X:XX ±0.25	CHKD:	Huizhou Trxcom Electronics Co.,ltd	
X:XXX	DR: SEA	TITLE: T3/DS3/E3/STS-1 Transformer	
ANGLES ±1°	UNIT: $\frac{\text{Inches}}{\text{mm}}$	PART NO.: TRB85969NL	
	SCALE: 2/1	SHEET: 1/2	REV: A DWG NO.:

Schematic:

REV.	ECN NO.	DESCRIPTION	DATE	APPD
A	REL		17/08/2007	



Electrical Specification @25°C

1. Turns Ratio ($\pm 2\%$):
Pri : Sec = 1 : 2CT.
2. Primary Pins: 4-6.
3. OCL Primary: 19uH Min.
4. Cw/w: 10pF Max.
5. LL: 0.06uH Max.
6. Hi-Pot: 1500Vrms Min.
7. Bandwidth 75Ω System: 0.250-500MHz TYP.
8. Operating Temperature: -20°C ~ +85°C.



X:X	APPD:	Trxcom	
X:XX ±0.25	CHKD:	Huizhou Trxcom Electronics Co., ltd	
X:XXX	DR: SEA	TITLE: T3/DS3/E3/STS-1 Transformer	
ANGLES ±1°	UNIT: $\frac{\text{Inches}}{\text{mm}}$	PART NO.: TRB85969NL	
	SCALE: 2/1	SHEET: 2/2	REV: A DWG NO.: