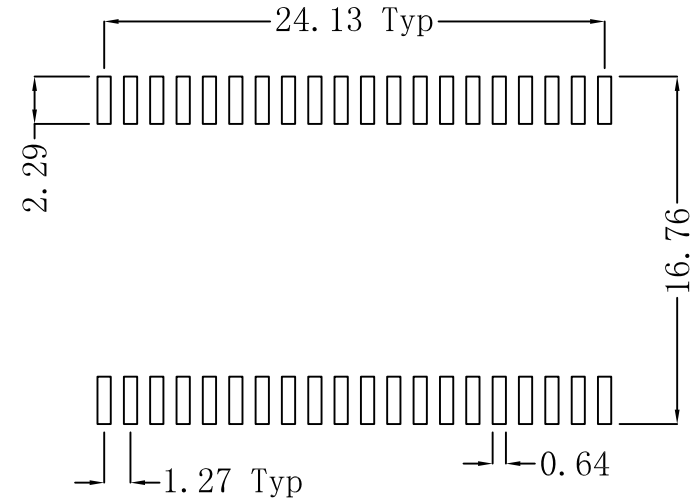
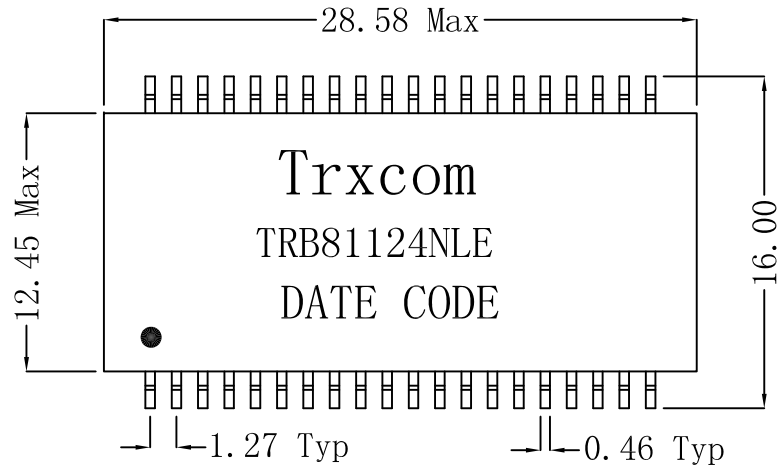
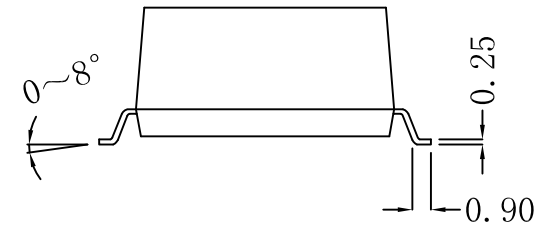
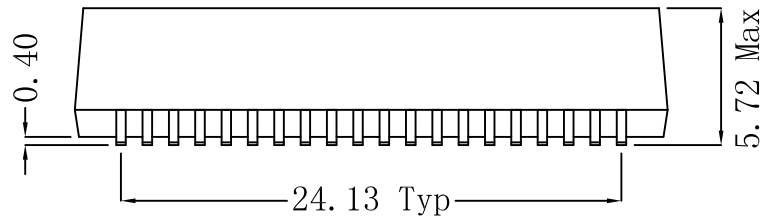


Mechanical:

| REV. | ECN NO. | DESCRIPTION | DATE | APPD |
|------|---------|-------------|------------|------|
| A | REL | | 2015-06-04 | |



SUGGESTED PAD LAYOUT



NOTES:

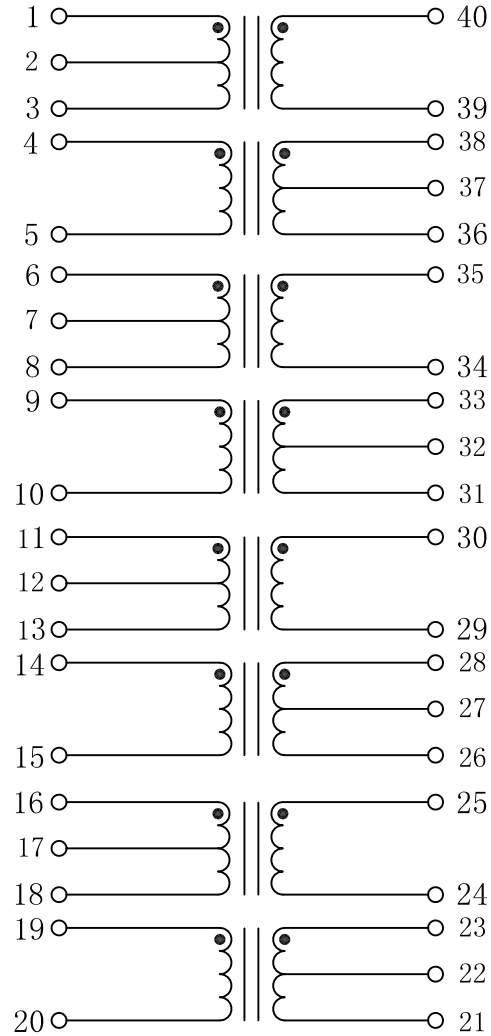
1. T1/CEPT/ISDN-PRI Transformer.
2. With various turns ratios.
3. The part is RoHS compliant.
4. Maximum reflow temperature is 245°C, 5 Sec.
5. UL Certification: File Number E321120.



| | | | |
|------------|------------|--------------------------------------|-----------------------------|
| X:X | APPD: | Trxcom | |
| X:XX ±0.25 | CHKD: | Huizhou Trxcom Electronics Co., Ltd | |
| X:XXX | DR: SEA | TITLE: T1/CEPT/ISDN-PRI Transformers | |
| ANGLES ±1° | UNIT: mm | PART NO.: | TRB81124NLE |
| | SCALE: 4/1 | SHEET: 1/4 | REV: A DWG NO.: TRC09102104 |

Schematic:

| REV. | ECN NO. | DESCRIPTION | DATE | APPD |
|------|---------|-------------|------------|------|
| A | REL | | 2015-06-04 | |



Electrical Specifications: @25°C

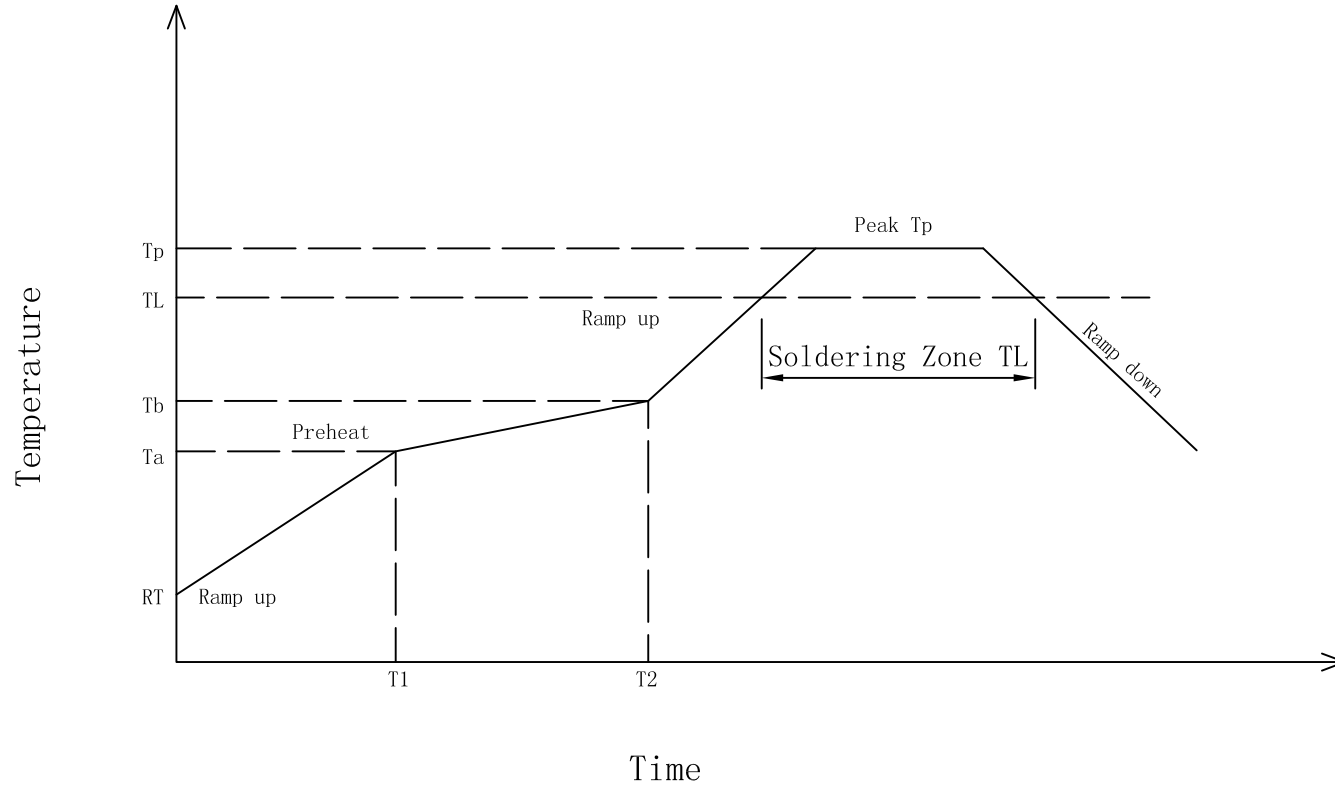
- Turns Ratio (Pri:Sec $\pm 2\%$):
TX=1:2CT RX=1CT:2
- Primary Pins:
TX: 4-5, 9-10, 14-15, 19-20
RX: 1-3, 6-8, 11-13, 16-18
- OCL (TX/RX): 1.2mH Min
- Cw/w: 35pF Max
- LL (TX/RX): 0.6uH Max
- Isolation voltage: 1500Vrms
- Operating Temperature: 0°C ~ 70°C.



| | | | | |
|----------------------|---------------|---|---------------|--------------------------|
| X:X | APPD: | Trxcom | | |
| X:XX ± 0.25 | CHKD: | Huizhou Trxcom Electronics Co., ltd | | |
| X:XXX | DR: SEA | TITLE: T1/CEPT/ISDN-PRI Transformers | | |
| ANGLES $\pm 1^\circ$ | UNIT: mm | PART NO. : | TRB81124NLE | |
| | SCALE: 4/1 | SHEET: 1/4 | REV: A | DWG NO. : TRC09102104 |

IR Reflow:

| REV. | ECN NO. | DESCRIPTION | DATE | APPD |
|------|---------|-------------|------------|------|
| A | REL | | 2015-06-04 | |



Preheat:
 Temperature (Ta-Tb) : 150-200°C
 Time (T1-T2) : 60-180s

Holding Temperature: 217°C
 Time (TL) : 60-150s

Max Temperature (Tp) : 245 (+0/-5°C)
 Max Time (Tp) : 30s

The average speed: 3°C/S Max
 The average cooling speed: 6°C/S Max

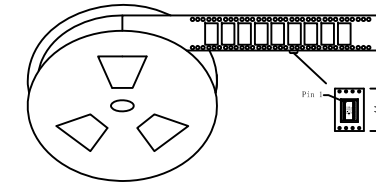
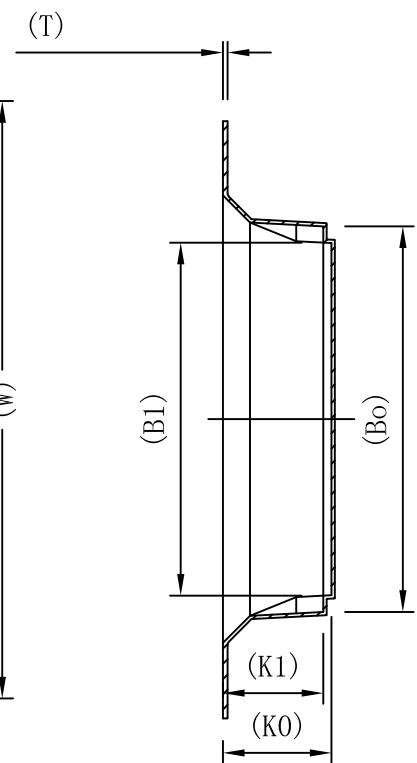
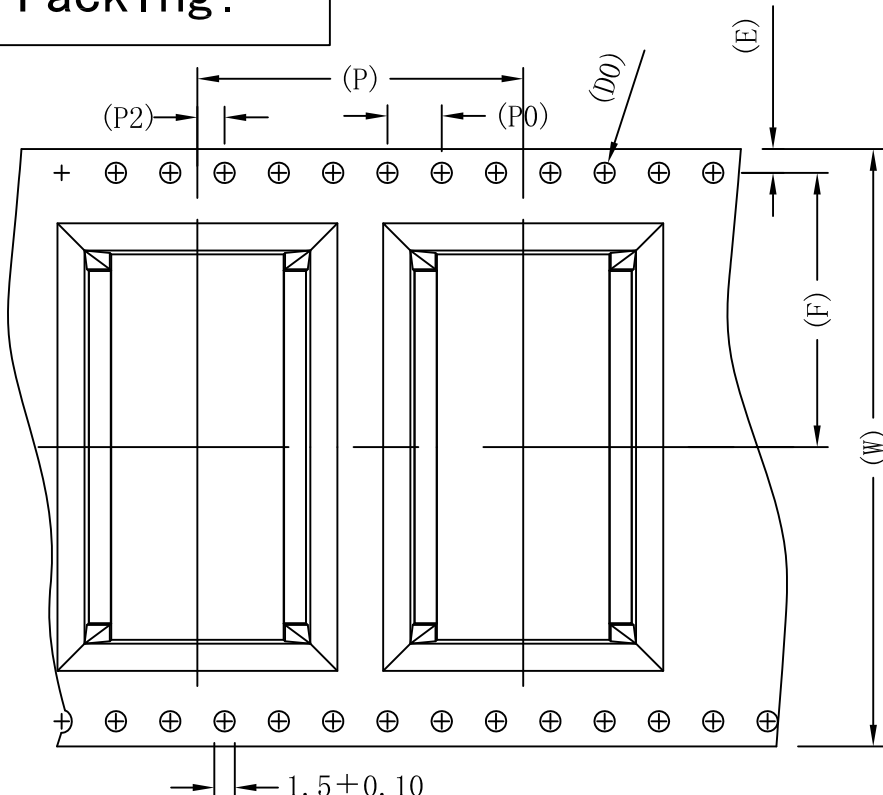
From 25°C to Products out of the furnace: 6 minutes Max



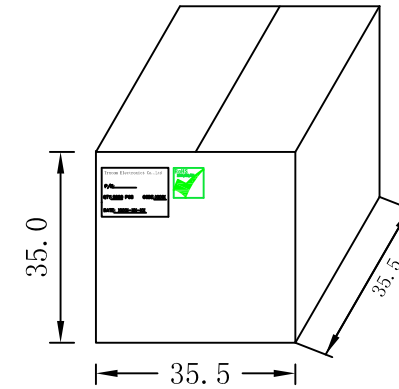
| | | |
|------------|------------|--|
| X:X | APPD: | Trxcom Huizhou Trxcom Electronics Co., ltd |
| X:XX ±0.25 | CHKD: | |
| X:XXX | DR: SEA | TITLE: T1/CEPT/ISDN-PRI Transformers |
| ANGLES ±1° | UNIT: mm | PART NO. : TRB81124NLE |
| | SCALE: 4/1 | SHEET: 3/4 |
| | REV: A | DWG NO. : TRC09102104 |

Packing:

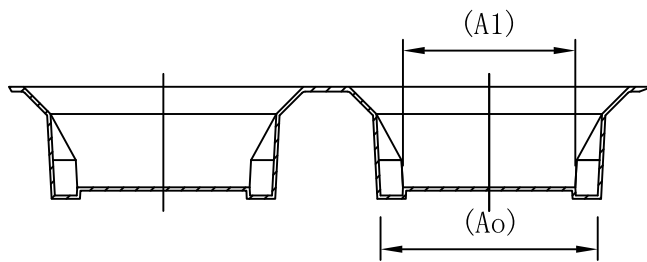
| REV. | ECN NO. | DESCRIPTION | DATE | APPD |
|------|---------|-------------|------------|------|
| A | REL | | 2015-06-04 | |



5 reel



- ◆ Packaging unit: 400pcs/reel
- ◆ Outer carton unit: 2000pcs/5 reel/box
- ◆ Net Weight: 10 kg
- ◆ Gross Weight: 13 kg



| ITEM | W | A _o | B _o | D _o | A ₁ | K _o | P | F | T | P _o | P ₂ | E |
|-----------|--|--|---|--|--|--|--|--|--|--|--|--|
| DIM | 44.0 ^{+0.30} _{-0.30} | 17.0 ^{+0.10} _{-0.10} | 28.45 ^{+0.10} _{-0.10} | 1.50 ^{+0.10} _{-0.00} | 12.3 ^{+0.10} _{-0.10} | 6.60 ^{+0.10} _{-0.10} | 24.0 ^{+0.10} _{-0.10} | 20.2 ^{+0.10} _{-0.10} | 0.40 ^{+0.05} _{-0.05} | 4.00 ^{+0.10} _{-0.10} | 2.00 ^{+0.10} _{-0.10} | 1.75 ^{+0.10} _{-0.10} |
| ALTERNATE | | | | | | | | | | | | |

1. 10sprocket hole pitch cumulative tolerance $\pm 0.2\text{mm}$.
2. carrier camber not to exceed 1mm in 250mm.
3. All dimensions meet EIA-481-D requirements.
4. Material: Black Anti-static Polysyrene.
5. Thickness: $0.40 \pm 0.05\text{mm}$.
6. Packing length per 13" reel: 400pcs/10.08 Meters.

| | | |
|--------|------------------------|--|
| X:X | APPD: | Trxcom Huizhou Trxcom Electronics Co., ltd |
| X:XX | ± 0.25 CHRD: | |
| X:XXX | DR: SEA | TITLE: T1/CEPT/ISDN-PRI Transformers |
| ANGLES | $\pm 1^\circ$ UNIT: mm | PART NO.: TRB81124NLE |
| | SCALE: 4/1 | SHEET: 4/4 |
| | REV: A | DWG NO.: TRC09102104 |