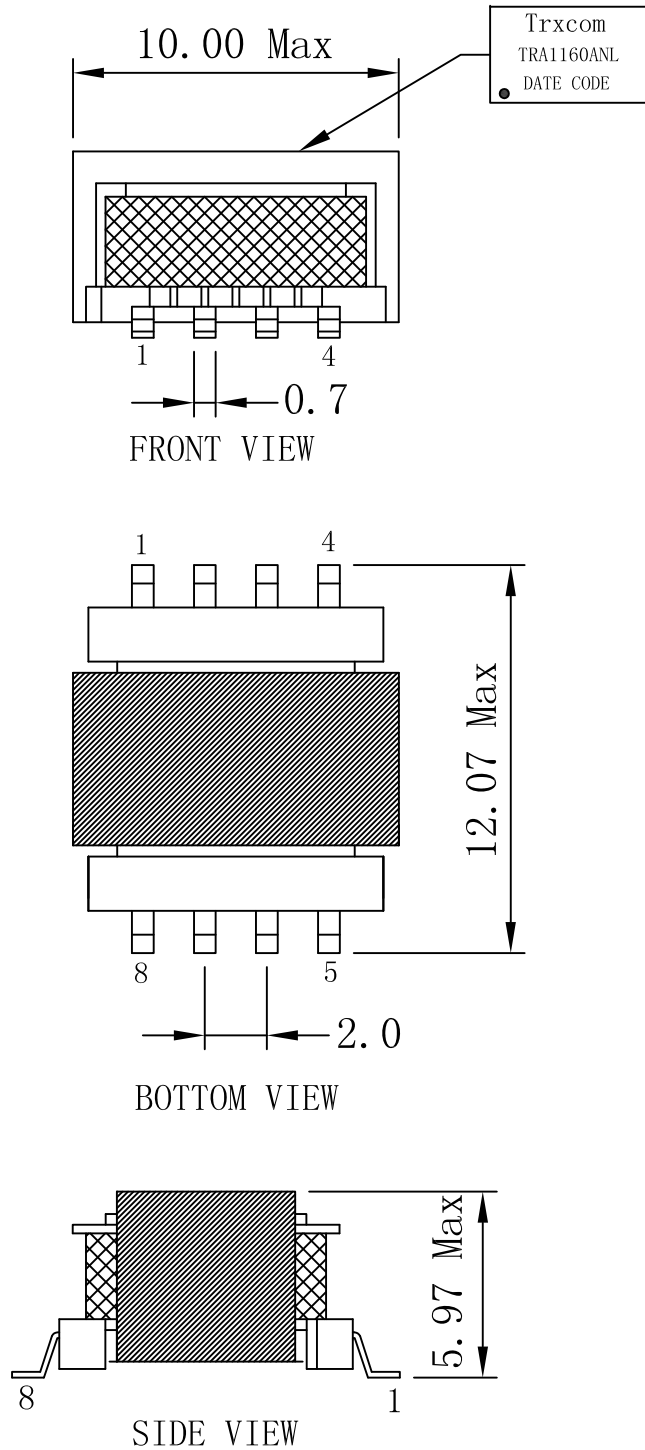


Mechanical :



REV.	ECN NO.	DESCRIPTION	DATE	APPD
A	REL		2019/09/18	

NOTE:

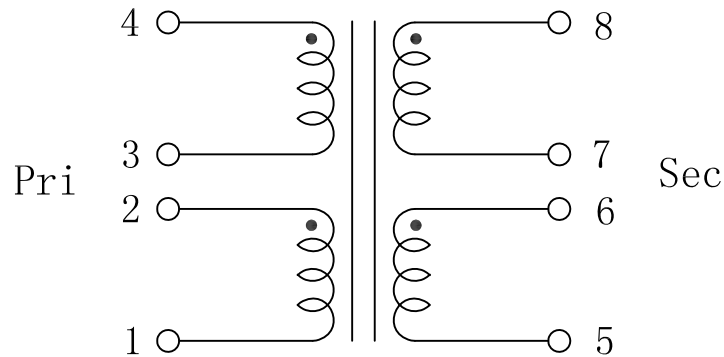
1. Isolation Transformer.
2. Assembly must be RoHS Compliant.
3. UL Certification: File Number E321120.



X:X	±0.30	APPD:	Trxcom	
X:XX	±0.25	CHKD:	Huizhou Trxcom Electronics Co., ltd	
X:XXX	±0.05	DR: SEA	TITLE: ISOLATION TRANSFORMER	
ANGLES	±1°	UNIT: mm	PART NO.: TRA1160ANL	
	SCALE: 2/1	SHEET: 1/2	REV: A	DWG NO.: TRC19091801

Schematic:

REV.	ECN NO.	DESCRIPTION	DATE	APPD
A	REL		2019/09/18	



Primary windings and secondary windings to be connected in series on the PC board

ELECTRICAL CHARACTERISTICS @25°C

1. TURN RATIO:

Pri : Sec = 1 : 1.5

2. Inductance (@500KHz, 0.5Vrms, 0Adc) :

PIN 4-3 = 45.6uH Min

3. DCR:

Pri: 0.130 Ω Max

Sec: 0.260 Ω Max

4. Leakage inductance: 1.0uH Max

5. Hipot:

Pri-Sec: 2500Vac , 1mA , 2sec

6. Voltage:

Pri/Sec: 5V to 5V or 3.3V to 3.3V.

7. Volt-time product: 34.4 V-usec.

8. Power: 7.2W

9. Operating Temperature: -40°C to +85°C.



X:X	±0.30	APPD:	Trxcom Huizhou Trxcom Electronics Co., ltd
X:XX	±0.25	CHKD:	
X:XXX	±0.05	DR: SEA	
ANGLES	±1°	UNIT: mm	PART NO.: TRA1160ANL
	SCALE: 2/1	SHEET: 2/2	REV: A
			DWG NO.: TRC19091801