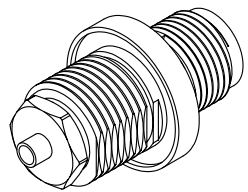
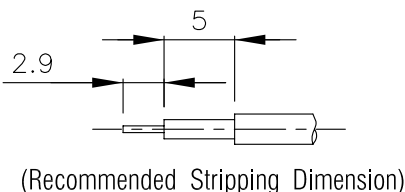
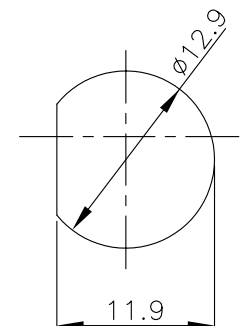
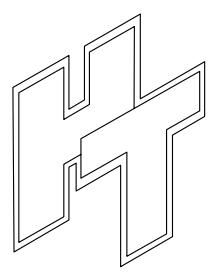
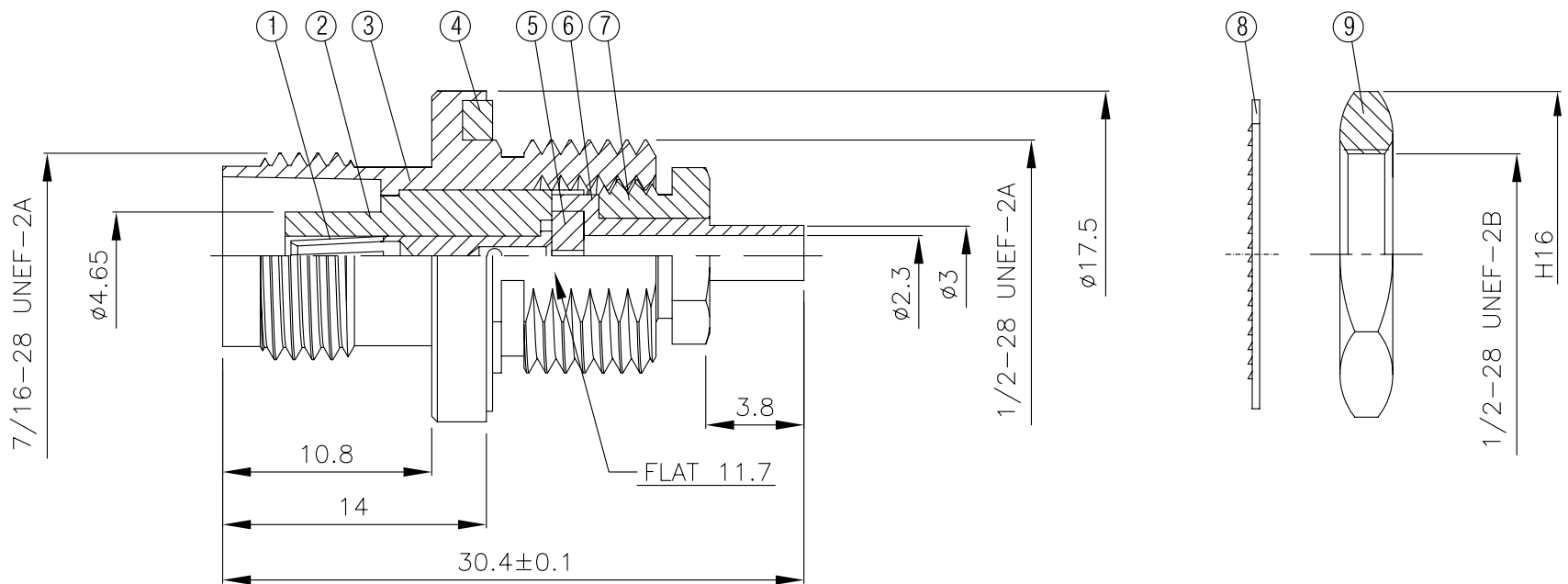


NO	DESCRIPTION	MATERIAL	Q'TY	FINISH	REMARK
1	PIN 1	BRASS	1	GOLD	P-TNC0019-G
2	INSULATION 1	TEFLON	1	TEFLON	I-0089T
3	BODY 1	BRASS	1	NICKEL	B-TNC0910-N
4	GASKET	SI RUBBER	1	RUBBER	RU-0006
5	INSULATION 2	TEFLON	1	TEFLON	I-0448T
6	BODY 2	BRASS	1	NICKEL	B-TNC0919-N
7	NUT	BRASS	1	NICKEL	N-0004-N
8	WASHER	BRASS	1	NICKEL	W-0001-N
9	NUT 2	BRASS	1	NICKEL	N-0003-N



MOUNTING HOLES



HUS-TSAN GROUP CO., LTD.
P.O.BOX 40-76.TAINAN.TAIWAN,R.O.C.
TITLE TNC BULKHEAD FEMALE
SOLDER FOR RG-405/U(.085")
PART NO. TNC-35V1-TGN
DRAWING NO. TNC 35V1 TGN

DRAWN MARY **DATE** 96.12.14
CHECKED 蘇志欣 **DATE**
Q.A. 蘇姿潔 **DATE**
APPROVAL 徐燦霖 **DATE**
REVISION **DATE**

DIMENSIONS ARE IN MILLIMETERS
UNLESS OTHERWISE SPECIFIED TOLERANCE
0.5-5=±0.2 120-315=±1
5-30= ±0.4 315-1000=±1.6
30-120±0.6 1000-2000=±2.4
SCALE 4:1 **SIZE** A

REVISION	
DESCRIPTION	ENGINEER