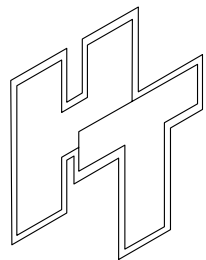
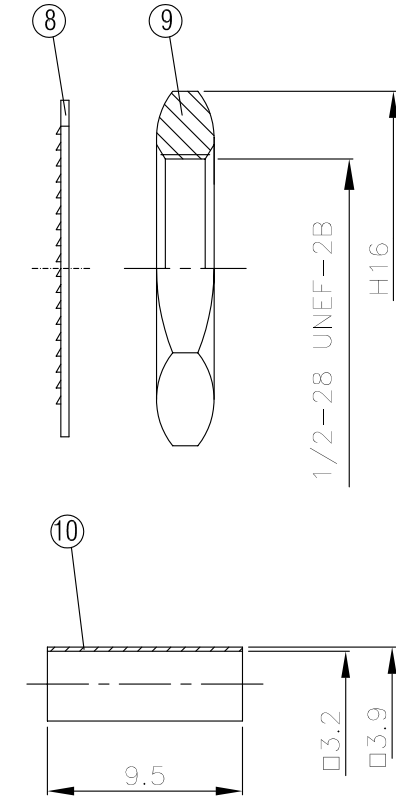
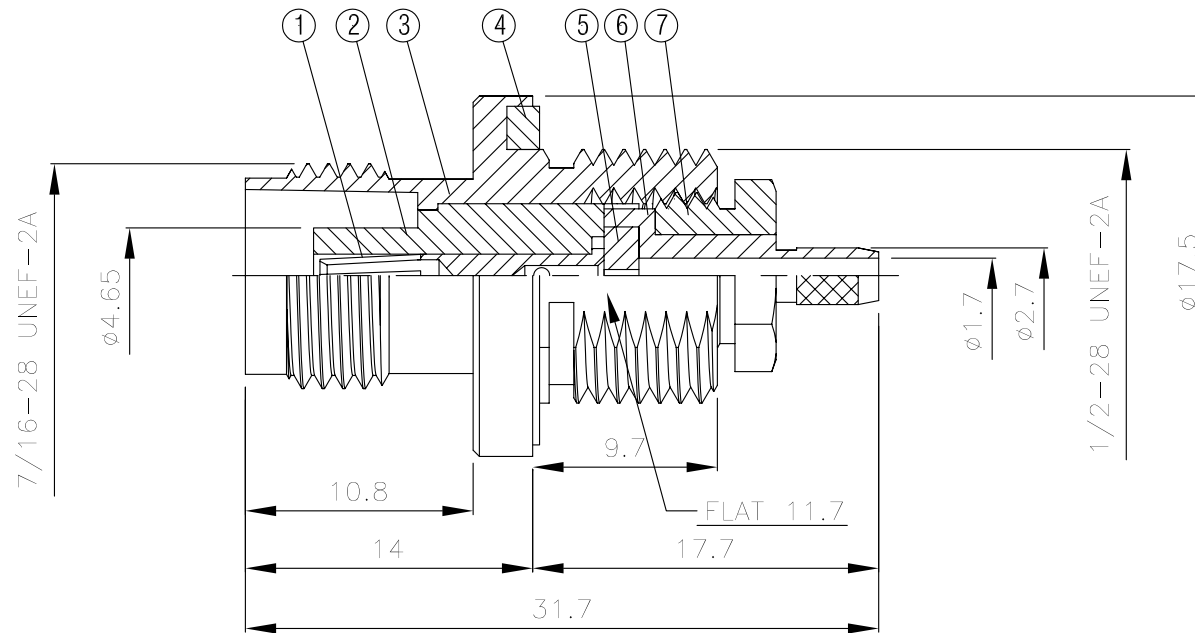
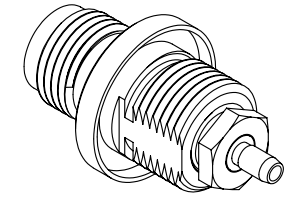
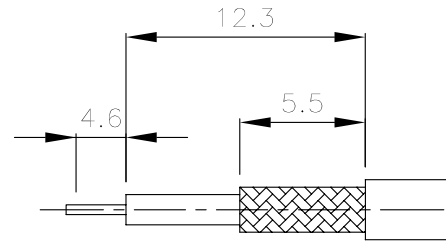


NO	DESCRIPTION	MATERIAL	Q'TY	FINISH	REMARK
1	PIN 1	BRASS	1	GOLD	P-TNC0019-G
2	INSULATION 1	TEFLON	1	TEFLON	I-0089T
3	BODY 1	BRASS	1	NICKEL	B-TNC0910-N
4	GASKET	SI RUBBER	1	RUBBER	RU-0006
5	INSULATION 2	TEFLON	1	TEFLON	I-0448T
6	BODY 2	BRASS	1	NICKEL	B-TNC0919-N
7	NUT	BRASS	1	NICKEL	N-0004-N
8	WASHER	BRASS	1	NICKEL	W-0001-N
9	NUT 2	BRASS	1	NICKEL	N-0003-N
10	RING	BRASS	NICKEL	R-0002-N	



HUS-TSAN GROUP CO., LTD.

P.O. BOX 40-76. TAINAN, TAIWAN, R.O.C.

TITLE TNC BULKHEAD FEMALE CRIMP RECEPTACLE FOR RG-174/U

PART NO. TNC-35LV1-TGN

DRAWING NO. TNC 35LV1 TGN

DRAWN MARY DATE 96.07.06

CHECKED 蘇志欣 DATE

Q.A. 蘇姿潔 DATE

APPROVAL 徐燦霖 DATE

REVISION DATE

DIMENSIONS ARE IN MILLIMETERS

UNLESS OTHERWISE SPECIFIED TOLERANCE

0.5-5 = ± 0.2 120-315 = ± 1

5-30 = ± 0.4 315-1000 = ± 1.6

30-120 = ± 0.6 1000-2000 = ± 2.4

SCALE 4:1 SIZE A

REVISION

DESCRIPTION	ENGINEER