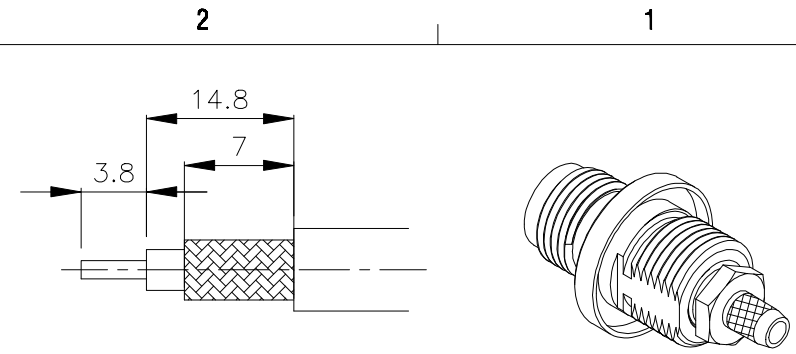
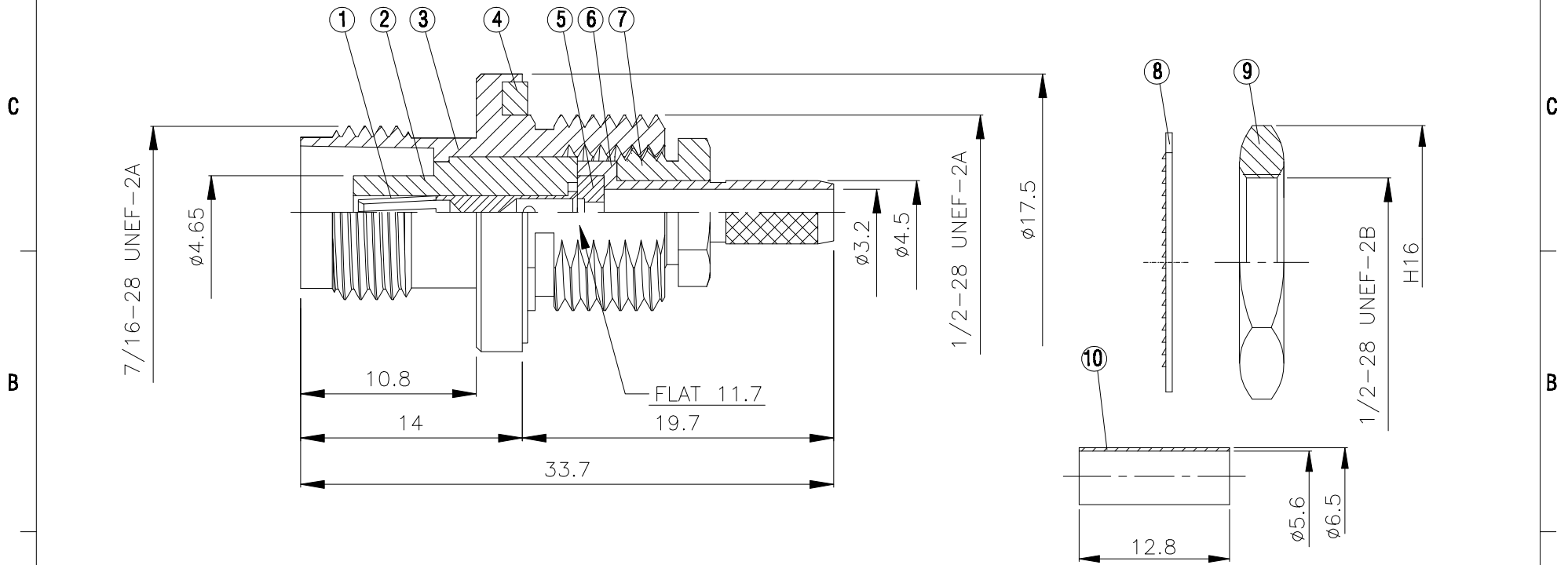


NO	DESCRIPTION	MATERIAL	Q'TY	FINISH	REMARK
1	PIN 1	BRASS	1	GOLD	P-TNC0732-G
2	INSULATION 1	TEFLON	1	TEFLON	I-0089T
3	BODY 1	BRASS	1	NICKEL	B-TNC0910-N
4	GASKET	SI RUBBER	1	RUBBER	RU-0006
5	INSULATION 2	TEFLON	1	TEFLON	I-0448T
6	BODY 2	BRASS	1	NICKEL	B-TNC1059-N
7	NUT	BRASS	1	NICKEL	N-0046-N
8	WASHER	BRASS	1	NICKEL	W-0001-N
9	NUT 2	BRASS	1	NICKEL	N-0003-N
10	RING	BRASS	1	NICKEL	R-0007-N



(Recommended Stripping Dimension)



	<b>HUS-TSAN GROUP CO., LTD.</b> P.O.BOX 40-76.TAINAN.TAIWAN,R.O.C.	DRAWN MARY CHECKED 沈佳儀 Q.A. 蘇姿潔 APPROVAL 徐燦霖 REVISION	DATE 95.02.17 DATE 95.02.17 DATE DATE	DIMENSIONS ARE IN MILLIMETERS UNLESS OTHERWISE SPECIFIED TOLERANCE 0.5-5=±0.2    120-315=±1 5-30=±0.4    315-1000=±1.6 30-120=±0.6    1000-2000=±2.4	REVISION	
	TITLE TNC BULKHEAD FEMALE CRIMP FOR RG-58/U	PART NO. TNC-35F-TGN	DRAWING NO. TNC-35F-TGN	SCALE 4:1    SIZE A	DESCRIPTION	ENGINEER