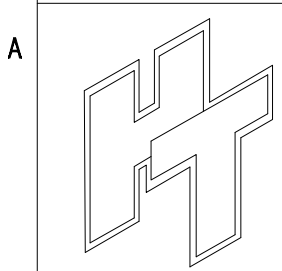
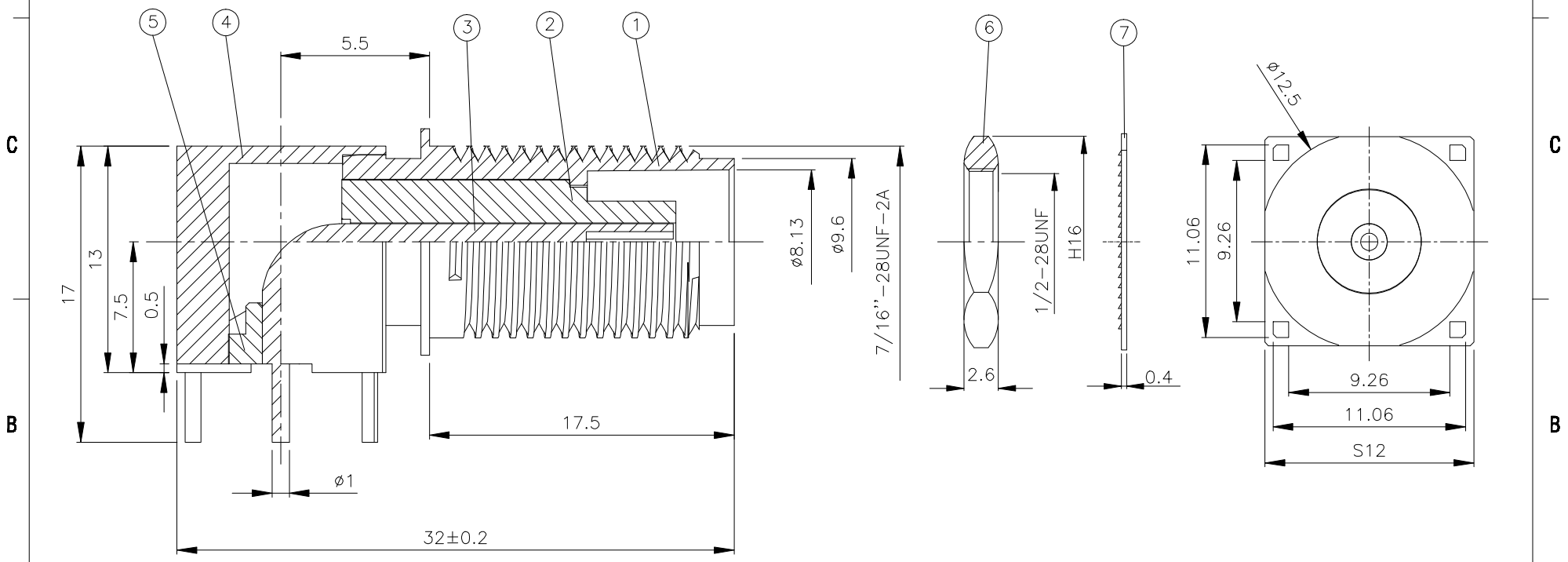
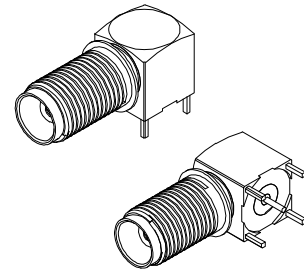


NO	DESCRIPTION	MATERIAL	Q'TY	FINISH	REMARK
1	BODY 1	BRASS	1	NICKEL	B-TNC1298-N
2	INSULATION	TEFLON	1	TEFLON	I-0616T
3	PIN	BRASS	1	GOLD	P-TNC0896-G
4	BODY 2	BRASS	1	NICKEL	B-TNC1299-N
5	INSULATION 2	TEFLON	1	TEFLON	I-0566T
4	NUT	BRASS	1	NICKEL	N-0017-N
5	WASHER	BRASS	1	NICKEL	W-0028-N



HUS-TSAN GROUP CO., LTD.
P.O.BOX 40-76.TAINAN.TAIWAN,R.O.C.
TITLE TNC ANGLE FEMALE PC MOUNT
PART NO. TNC-21V7-TGN
DRAWING NO. TNC-21V7-TGN

DRAWN	蘇志欣	DATE	97.07.22
CHECKED	蘇姿潔	DATE	
Q.A.	莊千慧	DATE	
APPROVAL	徐燦霖	DATE	
REVISION		DATE	

DIMENSIONS ARE IN MILLIMETERS			
UNLESS OTHERWISE SPECIFIED TOLERANCE			
0.5-5=±0.2	120-315=±1		
5-30=±0.4	315-1000=±1.6		
30-120=±0.6	1000-2000=±2.4		
SCALE	4:1	SIZE	A

REVISION	
DESCRIPTION	ENGINEER