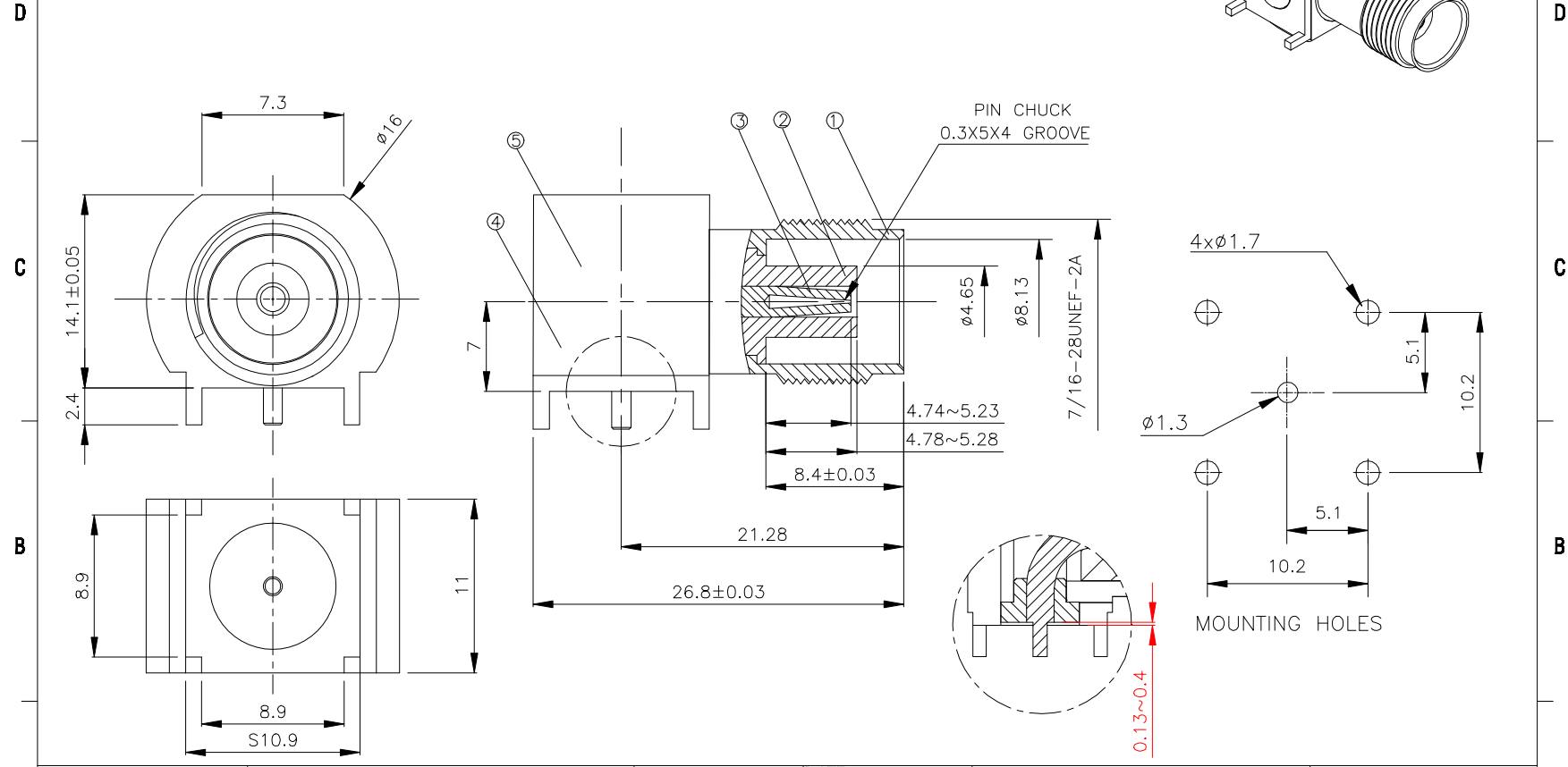
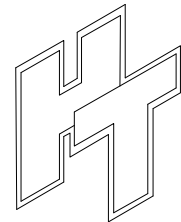


NO	DESCRIPTION	MATERIAL	Q'TY	FINISH	REMARK
1	BODY 1	BRASS	1	NICKEL	B-TNC1164-N
2	INSULATION	TEFLON	1	TEFLON	I-0089T
3	PIN	BRASS	1	GOLD	P-TNC0824-G
4	INSULATION	TEFLON	1	TEFLON	I-0566T
5	BODY 2	BRASS	1	NICKEL	B-TNC1165-N



	HUS-TSAN GROUP CO., LTD.		DRAWN	MARY	DATE	96.03.22	DIMENSIONS ARE IN MILLIMETERS		REVISION	
	P.O. BOX 40-76.TAINAN.TAIWAN,R.O.C.		CHECKED	黃巧君	DATE	96.03.22	UNLESS OTHERWISE SPECIFIED TOLERANCE		DESCRIPTION	ENGINEER
	TITLE TNC ANGLE FEMALE PC MOUNT		Q.A.	蘇姿潔	DATE		0.5-5=±0.2	120-315=±1		
	PART NO. TNC-21V6-TGN		APPROVAL	徐燦霖	DATE		5-30=±0.4	315-1000=±1.6		
	DRAWING NO. TNC-21V6-TGN		REVISION		DATE		30-120=±0.6	1000-2000=±2.4		
						SCALE	4:1	SIZE	A	

4 3 2 1