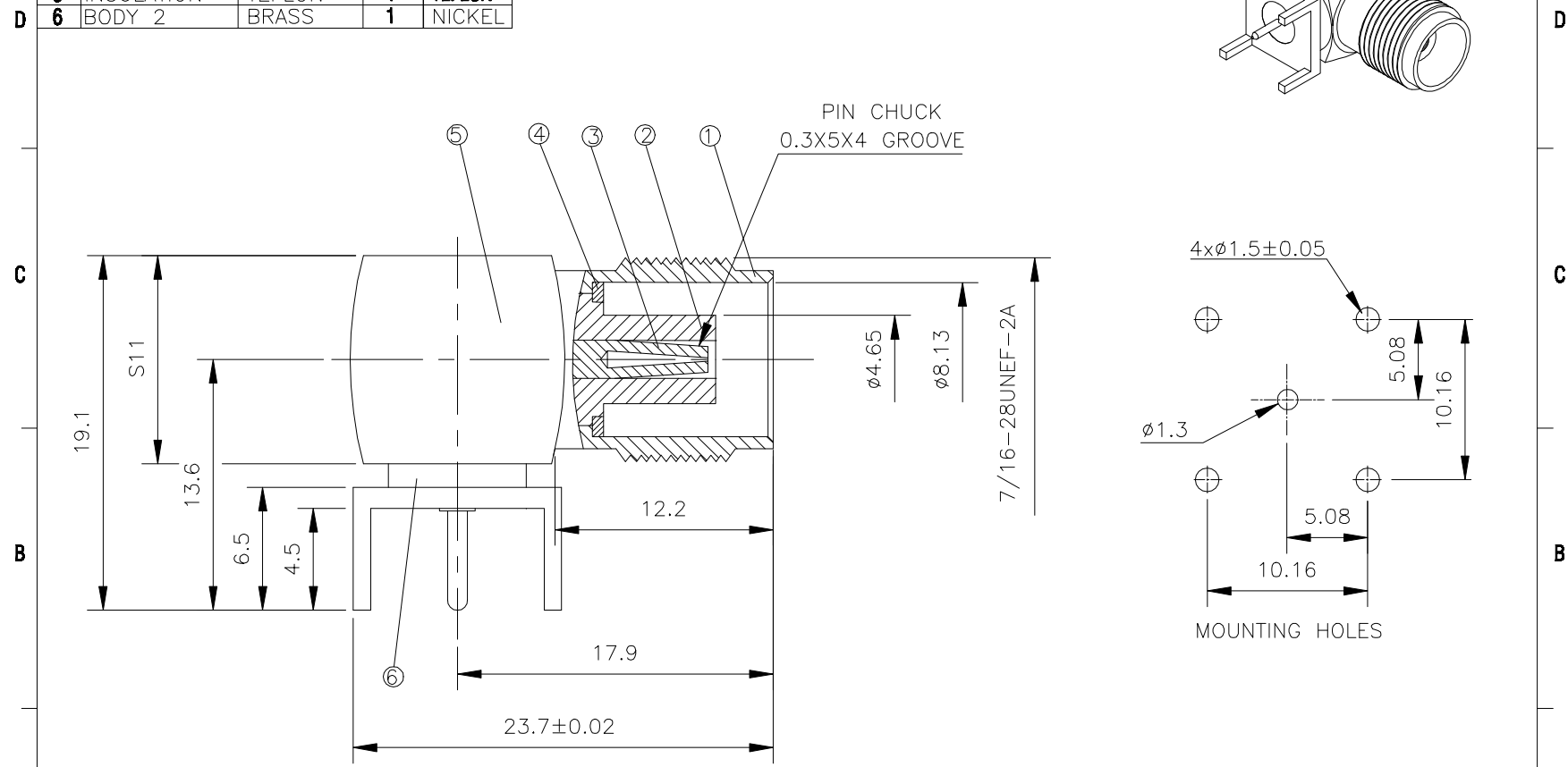
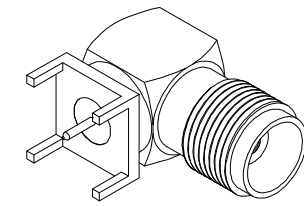


NO	DESCRIPTION	MATERIAL	Q'TY	FINISH
1	BODY 1	BRASS	1	NICKEL
2	INSULATION	TEFLON	1	TEFLON
3	PIN	BRASS	1	GOLD
4	WASHER	BRASS	1	NICKEL
5	INSULATION	TEFLON	1	TEFLON
6	BODY 2	BRASS	1	NICKEL



	<b>HUS-TSAN GROUP CO., LTD.</b>		DRAWN	MARY	DATE	93.12.01	DIMENSIONS ARE IN MILLIMETERS		REVISION	
	P.O.BOX 40-76.TAINAN.TAIWAN,R.O.C.		CHECKED	黃巧君	DATE	96.01.15	UNLESS OTHERWISE SPECIFIED TOLERANCE		DESCRIPTION	ENGINEER
	TITLE TNC ANGLE FEMALE PC MOUNT D-06(C-7459)		Q.A.	蘇姿潔	DATE		0.5-5=±0.2	120-315=±1		
	PART NO. <b>TNC-21V4-TGN</b>		APPROVAL	徐燦霖	DATE		5-30=±0.4	315-1000=±1.6		
	DRAWING NO. TNC-21V4-TGN		REVISION		DATE		30-120=±0.6	1000-2000=±2.4		
						SCALE	4:1	SIZE	A	

4 3 2 1

19.1 13.6 6.5 4.5 12.2 17.9 23.7±0.02

1 2 3 4 5

PIN CHUCK  
0.3X5X4 GROOVE

ø4.65 ø8.13 7/16-28UNEF-2A

4xø1.5±0.05

ø1.3 5.08 10.16 10.16

MOUNTING HOLES

A B C D

4 3 2 1