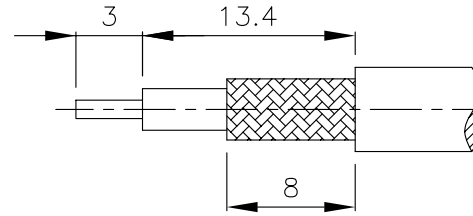
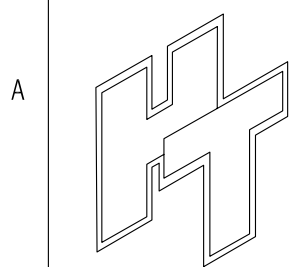
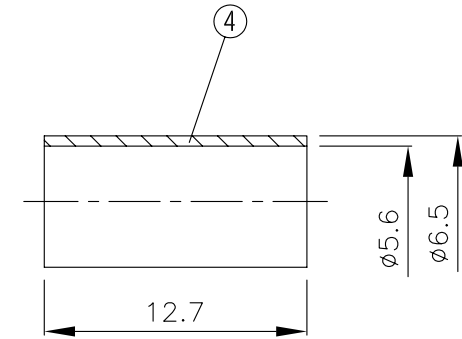
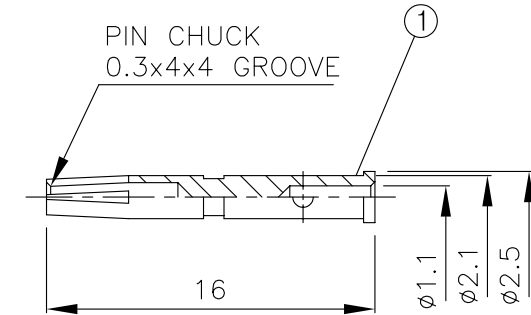
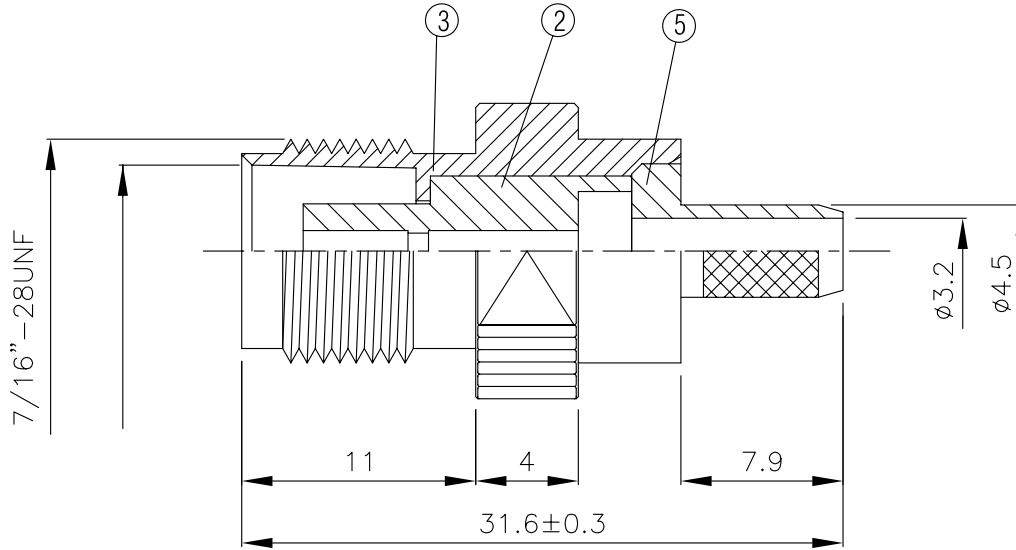
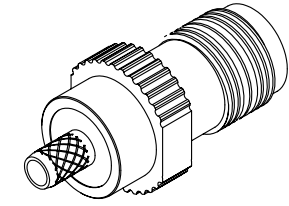


NO	DESCRIPTION	MATERIAL	Q'TY	FINISH	REMARK
1	PIN	BRASS	1	GOLD	P-TNC0011-G
2	INSULATION	DELRIN	1	DELRIN	I-0044D
3	BODY 1	BRASS	1	NICKEL	B-TNC0021-N
4	RING	BRASS	1	NICKEL	R-0007-N
5	BODY 2	BRASS	1	NICKEL	B-TNC0013-N



(Recommended Stripping Dimension)



HUS-TSAN GROUP CO., LTD.

P.O.BOX 40-76.TAINAN.TAIWAN,R.O.C.

TITLE TNC FEMALE CRIMP FOR RG-58/U

PART NO. TNC-08FV1-DGN

DRAWING NO. TNC-08FV1-DGN

DRAWN MARY DATE 88.01.15

CHECKED 黃巧君 DATE 88.01.15

Q.A. 蘇姿潔 DATE

APPROVAL 徐燦霖 DATE

REVISION DATE

DIMENSIONS ARE IN MILLIMETERS

UNLESS OTHERWISE SPECIFIED TOLERANCE

0.5-5=±0.2 120-315=±1

5-30=±0.4 315-1000=±1.6

30-120±0.6 1000-2000=±2.4

SCALE 4:1 SIZE A

REVISION

DESCRIPTION	ENGINEER

A

A

4

3

2

1