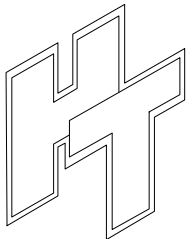
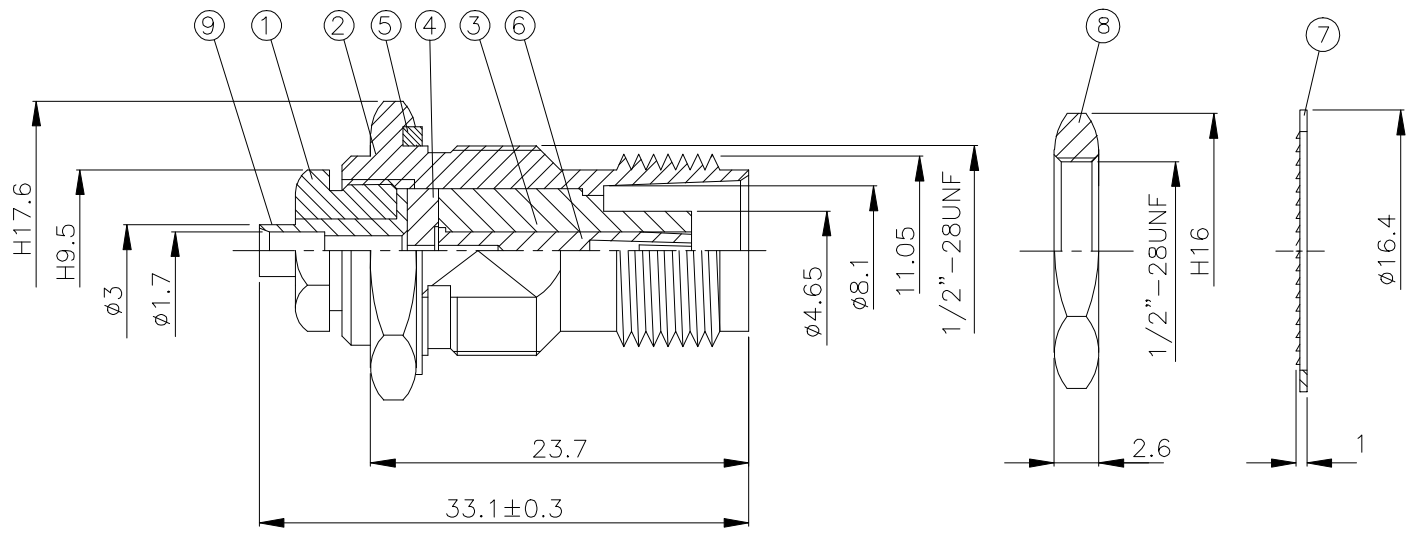
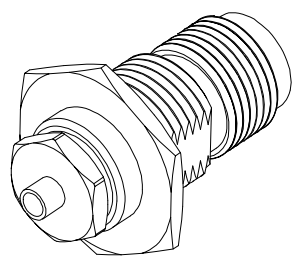
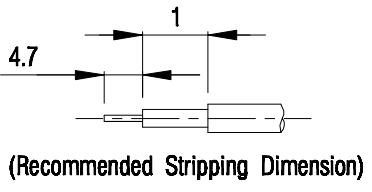
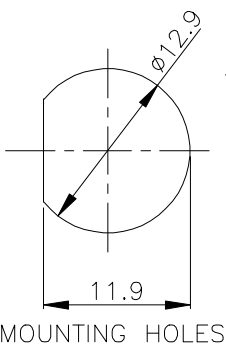


NO	DESCRIPTION	MATERIAL	Q'TY	FINISH	REMARK
1	NUT	BRASS	1	NICKEL	N-0004-N
2	BODY 1	BRASS	1	NICKEL	B-TNC0030-N
3	INSULATION	TEFLON	1	TEFLON	I-0089T
4	INSULATION	TEFLON	1	TEFLON	I-0448T
5	GASKET	RUBBER	1	RUBBER	RU-0006
6	PIN	BRASS	1	GOLD	P-TNC0019-G
7	WASHER	BRASS	1	NICKEL	W-0001-N
8	NUT	BRASS	1	NICKEL	N-0003-N
9	BODY 2	BRASS	1	GOLD	B-BNC0561-N



**HUS-TSAN GROUP CO., LTD**  
P.O. BOX 40-76.TAINAN TAIWAN,R.O.C.  
**TITLE TNC BULKHADE FEMALE  
SOLDER FOR RG-405 (.082)**  
**PART NO. TNC-07V1-TGN**  
**DRAWING NO. TNC 07V1 TGN**

**DRAWN MARY** **DATE 96.02.08**  
**CHECKED 黄巧君** **DATE**  
**Q.A. 蘇姿潔** **DATE**  
**APPROVAL 徐燦霖** **DATE**  
**REVISION** **DATE**

**DIMENSIONS ARE IN MILLIMETERS**  
**UNLESS OTHERWISE SPECIFIED TOLERANCES**  
0.5-5=±0.2 120-315=±1  
5-30=±0.4 315-1000=±1.6  
30-120=±0.6 1000-2000=±2.4  
**SCALE 4:1** **SIZE A**

REVISION	
DESCRIPTION	ENGINEER

4 3 2 1