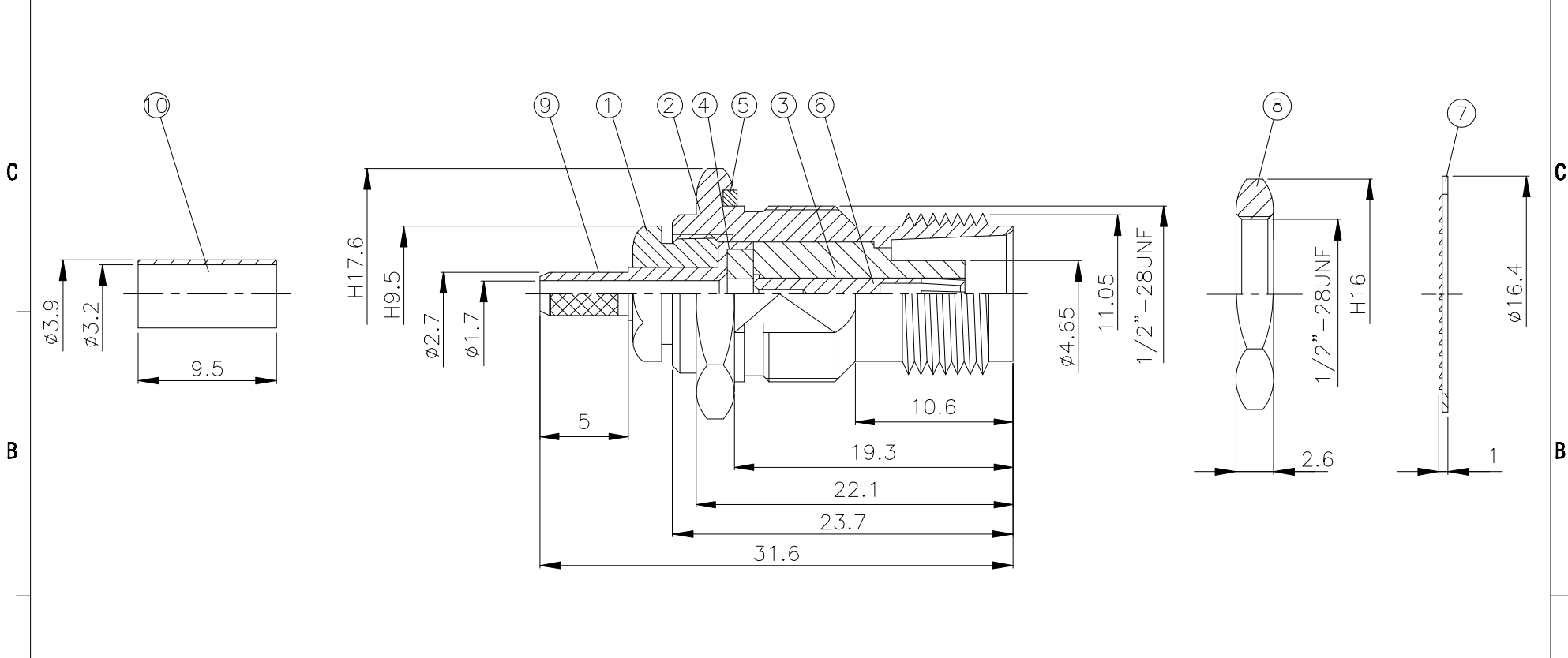
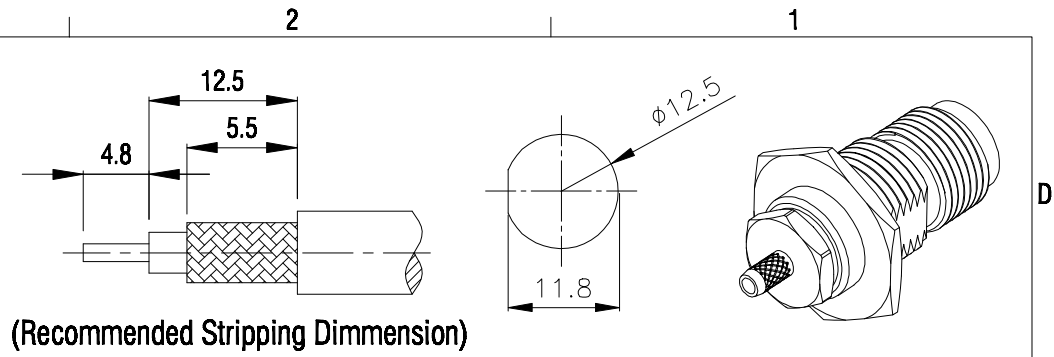


NO	DESCRIPTION	MATERIAL	Q'TY	FINISH	REMARK
1	NUT	BRASS	1	NICKEL	N-0004-N
2	BODY 1	BRASS	1	NICKEL	B-TNC0030-N
3	INSULATION	TEFLON	1	TEFLON	I-0089T
4	INSULATION	TEFLON	1	TEFLON	I-0448T
5	GASKET	RUBBER	1	RUBBER	RU-0006
6	PIN	BRASS	1	GOLD	P-TNC0019-G
7	WASHER	BRASS	1	NICKEL	W-0001-N
8	NUT	BRASS	1	NICKEL	N-0003-N
9	BODY 2	BRASS	1	NICKEL	B-TNC0919-N
10	RING	BRASS	1	NICKEL	R-0002-N



	HUS-TSAN GROUP CO., LTD P.O. BOX 40-76.TAINAN TAIWAN,R.O.C.		DRAWN MARY DATE 96.06.08	DIMENSIONS ARE IN MILLIMETERS		REVISION	
	TITLE TNC BULKHADE FEMALE CRIMP FOR RG-316/U		CHECKED 蘇姿潔 DATE	UNLESS OTHERWISE SPECIFIED TOLERANCES		DESCRIPTION	ENGINEER
	PART NO. TNC-07LV1-TGN		Q.A. 馮健華 DATE	0.5-5=±0.2	120-315=±1		
	DRAWING NO. TNC 07LV1 TGN		APPROVAL 徐燦霖 DATE	5-30=±0.4	315-1000=±1.6		
			REVISION DATE	30-120=±0.6	1000-2000=±2.4		
			SCALE 4:1	SIZE A			