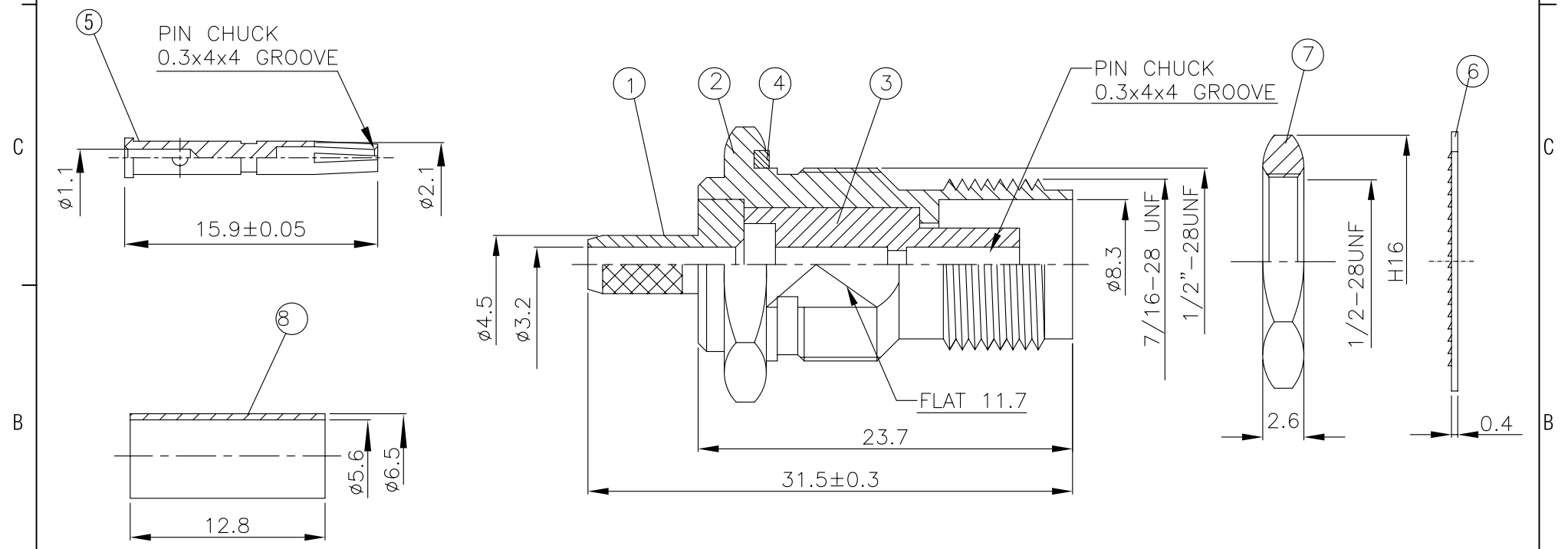
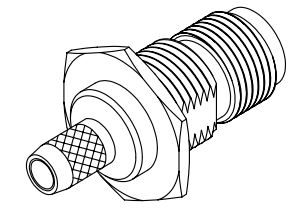
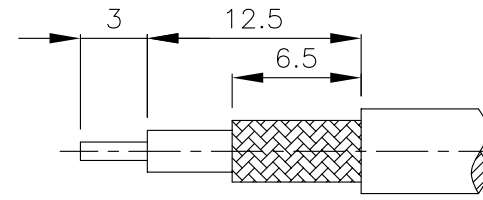


NO	DESCRIPTION	MATERIAL	Q'TY	FINISH	REMARK
1	BODY 1	BRASS	1	NICKEL	B-TNC0013-N
2	BODY 2	BRASS	1	NICKEL	B-TNC0117-N
3	INSULATION	TEFLON	1	TEFLON	I-0044T
4	GASKET	RUBBER	1	RUBBER	RU-0006
5	PIN	BRASS	1	GOLD	P-TNC0011-G
6	WASHER	BRASS	1	NICKEL	W-0001-N
7	NUT	BRASS	1	NICKEL	N-0003-N
8	RING	BRASS	1	NICKEL	R-0007-N



	HUS-TSAN GROUP CO., LTD P.O. BOX 40-76.TAINAN TAIWAN,R.O.C.		DRAWN MARY DATE 96.09.28	DIMENSIONS ARE IN MILLMETERS		REVISION	
	TITLE TNC FEMALE CRIMP FOR CRIMP FOR RG58U		CHECKED 蘇志欣 DATE	UNLESS OTHERWISE SPECIFIED TOLERANCES		DESCRIPTION	ENGINEER
	PART NO. TNC-07F-TGN		Q.A. 蘇姿潔 DATE	0.5-5=±0.2 120-315=±1			
	DRAWING NO. TNC 07F TGN		APPROVAL 徐燦霖 DATE	5-30=±0.4 315-1000=±1.6			
			REVISION DATE	30-120=±0.6 1000-2000=±2.4			
			SCALE	4:1	SIZE	A	